

AEG

POWERTOOLS

SE 3.6, LA 036

Original instructions

Originalbetriebsanleitung

Notice originale

Istruzioni originali

Manual original

Manual original

**Oorspronkelijke
gebruiksaanwijzing**

Original brugsanvisning

Original bruksanvisning

Bruksanvisning i original

Alkuperäiset ohjeet

Πρωτότυπο οδηγιών χρήσης

Orijinal işletme talimatı

Původním návodem k používání

Pôvodný návod na použitie

Instrukcja oryginalna

Eredeti használati utasítás

Izvirna navodila

Originalne pogonske upute

Instrukcijām oriģinālvalodā

Originali instrukcija

Algupärane kasutusjuhend

**Оригинальное руководство по
эксплуатации**

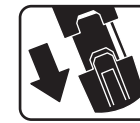
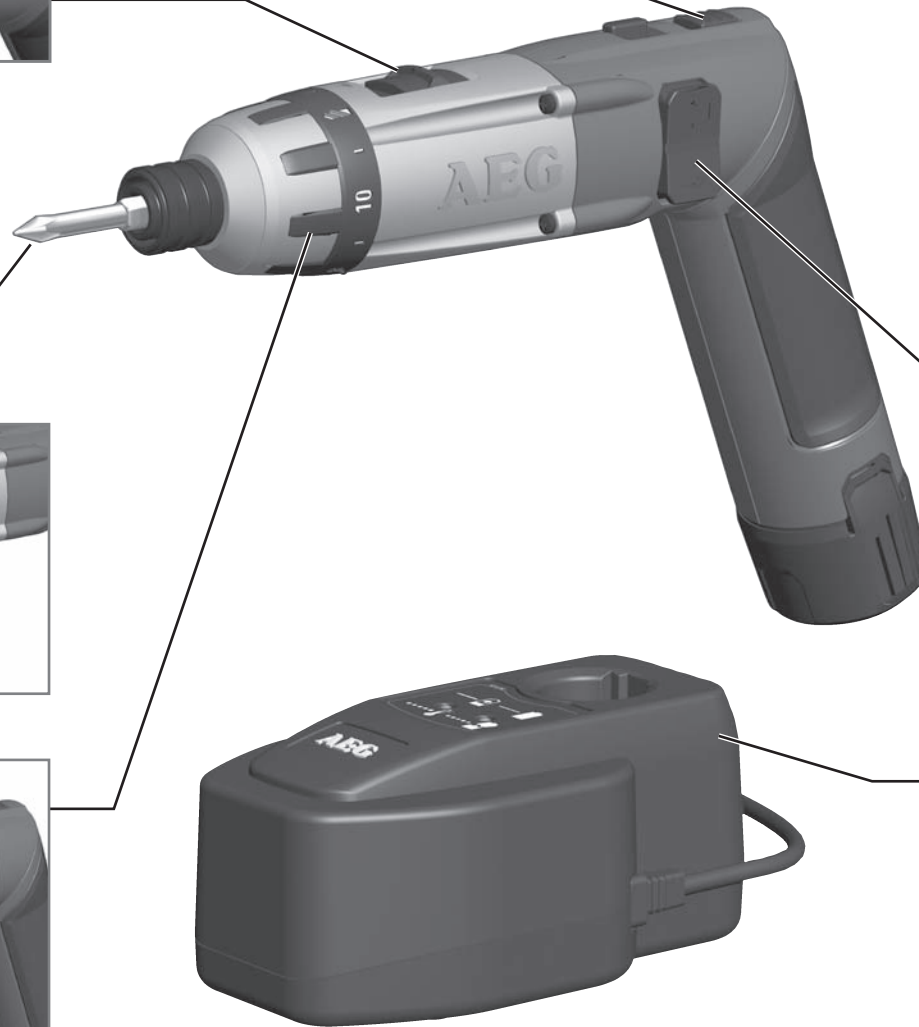
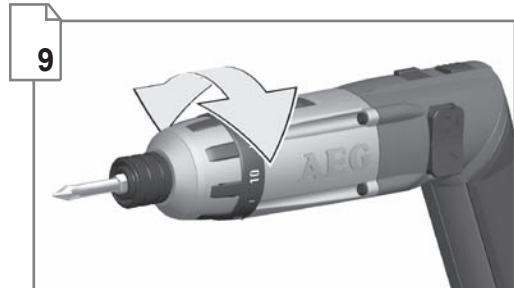
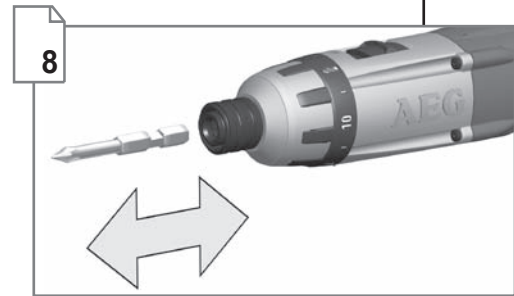
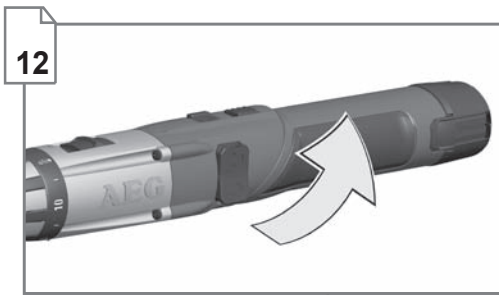
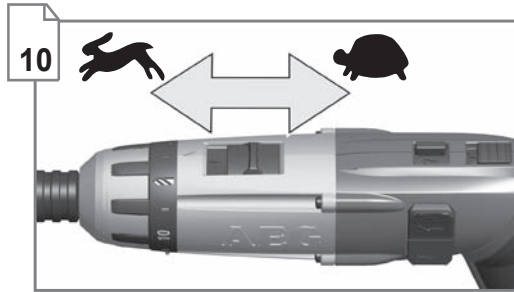
**Оригинално ръководство за
експлоатация**

Instrucțiuni de folosire originale

Оригинален прирачник за работа

原始的指南

Technical Data, safety instructions, Specified Conditions of Use, EC-Declaration of Conformity, Batteries, Characteristics, Maintenance,	Please read and save these instructions!	ENGLISH	14
Technische Daten, Sicherheitshinweise, Bestimmungsgemäße Verwendung, CE-Konformitätserklärung, Akkus, Merkmale, Wartung, Symbole	Bitte lesen und aufbewahren!	DEUTSCH	16
Caractéristiques techniques, Instructions de sécurité, Utilisation conforme aux prescriptions, Déclaration CE de Conformité, Accus, Description, Entretien, Symboles	Prière de lire et de conserver!	FRANÇAIS	18
Dati tecnici, Norme di sicurezza, Utilizzo conforme, Dichiarazione di Conformità CE, Batteria, Breve Indicazione, Manutenzione, Simboli	Si prega di leggere le istruzioni e di conservarle!	ITALIANO	20
Datos técnicos, Instrucciones de seguridad, Aplicación de acuerdo a la finalidad, Declaración de Conformidad CE, Batería, Señalización, Mantenimiento, Símbolos	Lea y conserve estas instrucciones por favor!	ESPAÑOL	22
Características técnicas, Instruções de segurança, Utilização autorizada, Declaração de Conformidade CE, Acumulador, Características, Manutenção, Símbolo	Por favor leia e conserve em seu poder!	PORTUGUES	24
Technische gegevens, Veiligheidsadviezen, Voorgeschreven gebruik van het systeem, EC-Konformiteitsverklaring, Akku, Kenmerken, Onderhoud, Symbolen	Lees en let goed op deze adviezen!	NEDERLANDS	26
Tekniske data, Sikkerhedshenvisninger, Tiltænkt formål, CE-Konformitetserklæring, Batteri, Beskrivelse, Vedligeholdelse, Symboler	Vær venlig at læse og opbevare!	DANSK	28
Tekniske data, Spesielle sikkerhetshenvisninger, Formålmessig bruk, CE-Samsvarserklæring, Batterier, Kjennetegn, Vedlikehold, Symboler	Vennligst les og oppbevar!	NORSK	30
Tekniska data, Säkerhetsutrustning, Använd maskinen Enligt anvisningarna, CE-Försäkran, Batterier, Kännemärke, Skötsel, Symboler	Var god läs och tag tillvara dessa instruktioner!	SVENSKA	32
Tekniset arvot, Turvallisuusohjeet, Tarkoituksenmukainen käyttö, Todistus CE-standardin mukaisuudesta, Akku, Ominaisuudet, Huolto, Symbolit	Lue ja säilytö!	SUOMI	34
Τεχνικά στοιχεία, Ειδικά υποδείξεις ασφαλείας, Χρήση σύμφωνα με το σκοπό προορισμού, Δήλωση πιστοποίησης εκ, Μπαταρίες, Χαρακτηριστικά, Συντήρηση, Σύμβολα	Παρακαλώ διαβάστε τις και φυλάξτε τις!	ΕΛΛΗΝΙΚΑ	36
Teknik veriler, Güvenliğinizi için talimatlar, Kullanım, CE uygunluk beyanince, Akü, Ozellikler, Bakım, Semboller	Lütfen okuyun ve saklayın	TÜRKÇE	38
Technická data, Speciální bezpečnostní upozornění, Oblast využití, Ce-prohlášení o shodě, Akumulátory, Upozornění, Údržba, Symboly	Po přečtení uschovejte	ČESKY	40
Technické údaje, Speciálne bezpečnostné pokyny, Použitie podľa predpisov, CE-Vyhlasenie konformity, Akumulátory, Znaky, Údržba, Symboly	Prosim prečítat a uschovať!	SLOVENSKY	42
Dane techniczne, Specjalne zalecenia dotyczace bezpieczerstwa, Uzytkowanie zgodnie z przeznaczeniem, Swiadcstwo zgodnosci ce, Bateria akumulatorowe, Wasnosci, Gwarancja, Symbole	Prosimy o uwazne przeczytanie i przestrzeganie zalecen zamie szczonych w tej instrukcji.	POLSKI	44
Műszaki adatok, Különleges biztonsági tudnivalók, Rendeltetésszerű használat, Ce-azonossági nyilatkozat, Akkuk, Jellegzetességek, Karbantartás, Szimbólumok	Olvassa el és őrizze meg	MAGYAR	46
Tehnični podatki, Specialni varnostni napotki, Uporaba v skladu z namembnostjo, Ce-izjava o konformnosti, Akumulatorji, Značilnosti, Vzdrževanje, Simboli	Prosimu preberite in shranite!	SLOVENSKO	48
Tehnički podaci, Specijalne sigurnosne upute, Propisna upotreba, CE-Izjava konformnosti, Baterije, Obilježja, Održavanje, Simboli	Molimo pročitati i sačuvati	HRVATSKI	50
Tehniske dati, Speciālie drošības noteikumi, Noteikumiem atbilstošs izmantojums, Atbilstība CE normām, Akumulātori, Pazīmes, Apkope, Simboli	Pielikums lietošanas pamācībai	LATVISKI	52
Techniniai duomenys, Ypatingos saugumo nuorodos, Naudojimas pagal paskirtį, CE Atitikties pareiškimas, Akumulatoriai, Požymiai, Techninis aptarnavimas, Simboliai	Prašome perskaityti ir neišmesti!	LIETUVIŠKAI	54
Tehnilised andmed, Spetsiaalsed turvajuhised, Kasutamise vastavalt otstarbele, EÜ Vastavusavaldus, Akud, Tunnused, Hooldus, Sümbolid	Palun lugege läbi ja hoidke alal!	EESTI	56
Технические данные, Рекомендации по технике безопасности, Использование, Аккумулятор, Характеристики, Обслуживание, Символы	Пожалуйста, прочтите и сохраните настоящую инструкцию	РУССКИЙ	58
Технически данни, Специални указания за безопасност, Използване по предназначение, CE-Декларация за съответствие, Аккумулятори, Характеристики, Поддръжка, Символи	Моля прочетете и запазете!	БЪЛГАРСКИ	60
Date tehnice, Instrucțiuni de securitate, Condiții de utilizare specificate, Declarație de conformitate, Alimentare de la rețea, Caracteristici, Intretinere, Simboluri	Va rugăm citiți și păstrați aceste instrucțiuni	ROMÂNIA	62
Технички Податоци, Упатство За Употреба, Специфицирани Услови На Употреба, Еу-декларација За Сообразност, Батерии, Карактеристики, Одржување, Символи	Ве молиме прочитајте го и чувајте го ова упатство!	МАКЕДОНСКИ	64
技术数据, 特殊安全指示, 正确地使用机器, 欧洲安全规定说明, 蓄电池, 特点, 维修, 符号	请详细阅读并妥善保存!	中文	66



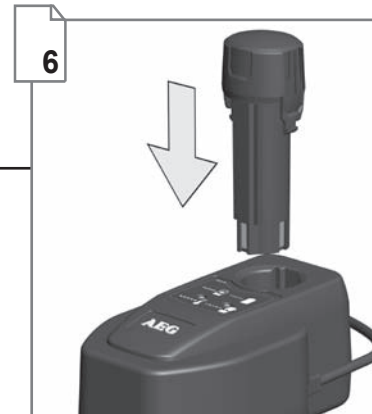
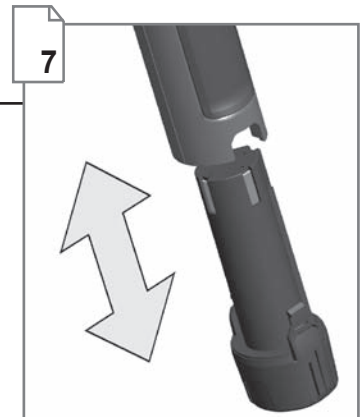
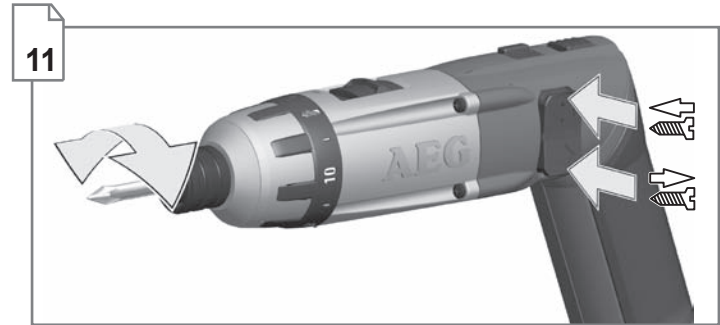
Remove the battery pack before starting any work on the machine.
Vor allen Arbeiten an der Maschine den Wechsellacku herausnehmen
Avant tous travaux sur la machine retirer l'accu interchangeable.
Prima di iniziare togliere la batteria dalla macchina.

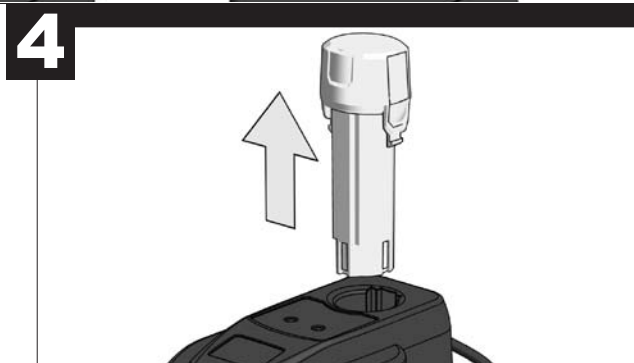
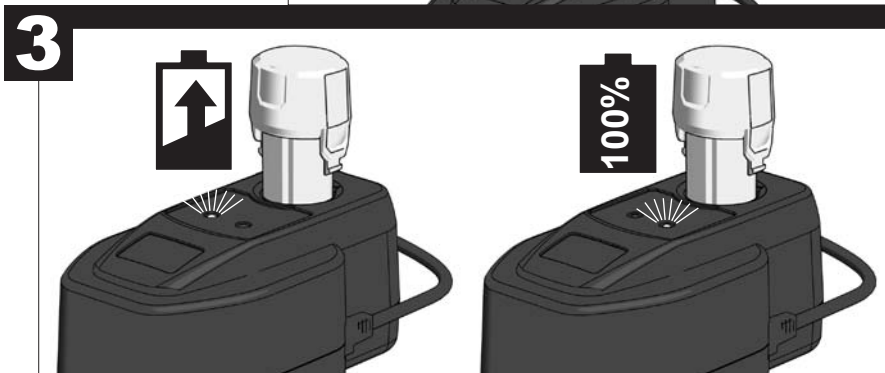
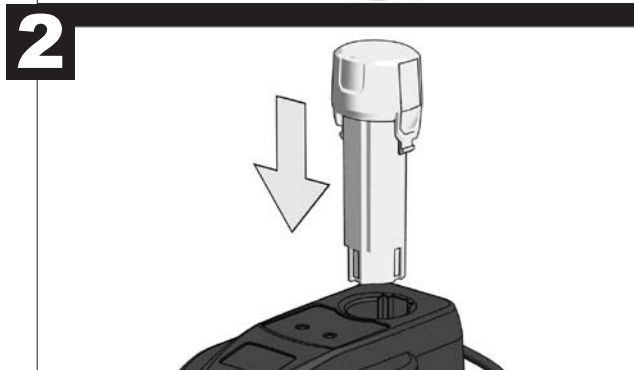
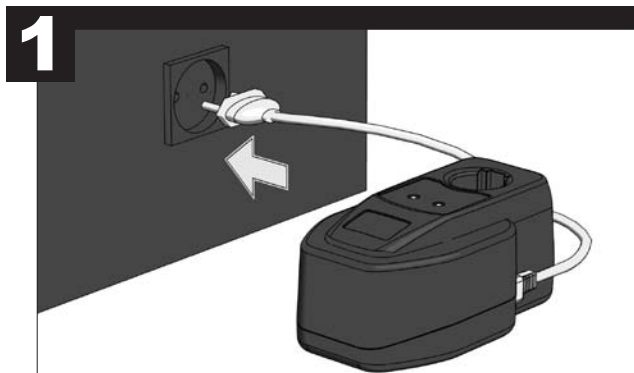
Retire la batería antes de comenzar cualquier trabajo en la máquina.
Antes de efectuar cualquier intervención en la máquina retirar o bloco acumulador.


Voor alle werkzaamheden aan de machine de akku verwijderen.
Ved arbejde inden i maskinen, bør batteriet tages ud.
Ta ut veksellbatteriet før du arbeider på maskinen
Drag ur batteripaket innan arbete utföres på maskinen.
Tarkista pistotulppa ja verkkojohto mahdollisilta vaurioilta. Viat saa korjatta vain alan erikoismies.
Πριν από κάθε εργασία στη μηχανή αφαιρέστε την ανταλλακτική μπαταρία.
Aletin kendeinde bir çalıřma yapmadan önce kartuş aküyü çıkarn.

Před zahájením veřkerých prací na vrtacím šroubovákú vyjmout výměnný akumulátor.
Pred každou pracou na stroji výměnný akumulátor vytlahnúť.
Przed przystąpieniem do jakichkolwiek prac na elektronarzędziu należy wyjąć wkładkę akumulatorową.
Karbantartás, javítás, tisztítás, stb. előtt az akkumulátort ki kell venni a készülékből.
Pred deli na stroju izvlcite izmenljivi akumulator.
Prije svih radova na stroju izvaditi bateriju za zamjenu.
Pirms mařinai veikt jebkāda veida apkopes darbus, ir jāizņem ārā akumulators.

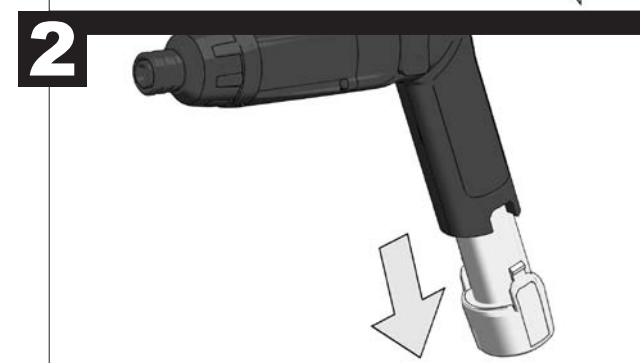
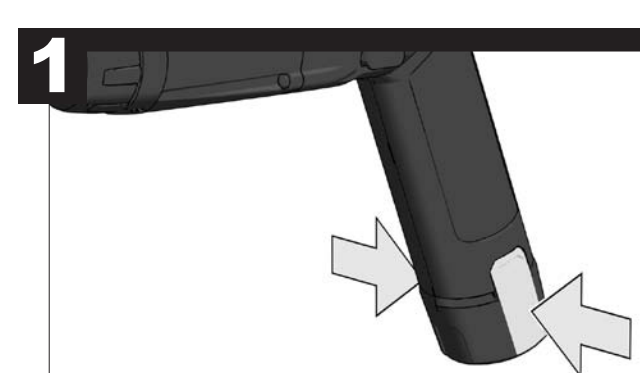
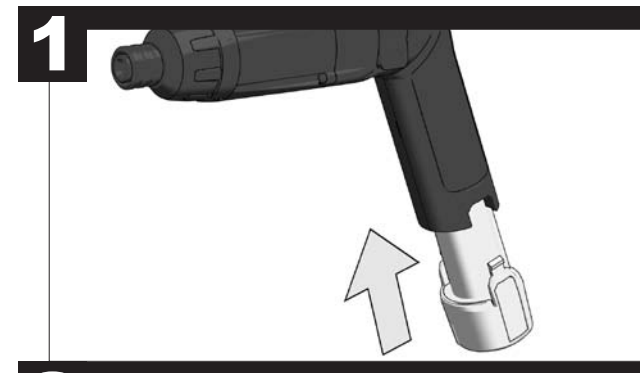
Prieš atikdami bet kokius darbus įrenginyje, išimkite keičiamą akumulatorių.
Enne kõiki töid masina kallal võtke vahetatav aku välja.
Выньте аккумулятор из машины перед проведением с ней каких-либо манипуляций.
Προδι започване на каквито е да работи по машината извадете акумулатора.
İndepărtați acumulatorul înainte de începerea lucrului pe mașina în orice lucrare de reparare.
在机器上进行任何维护工作之前，先拿出蓄电池。

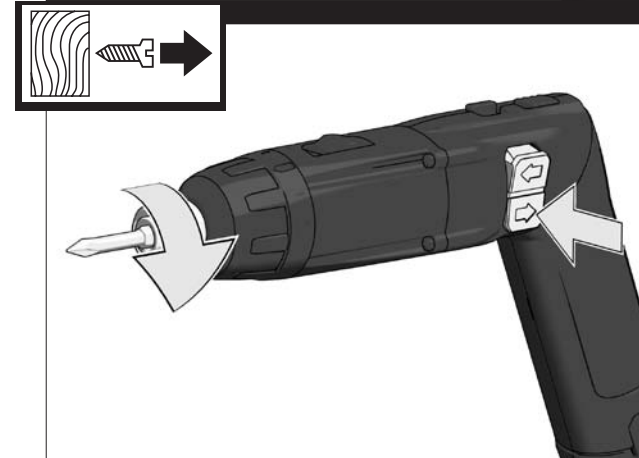
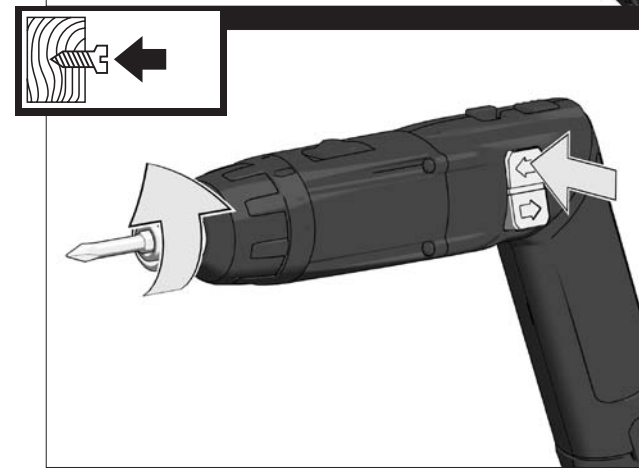
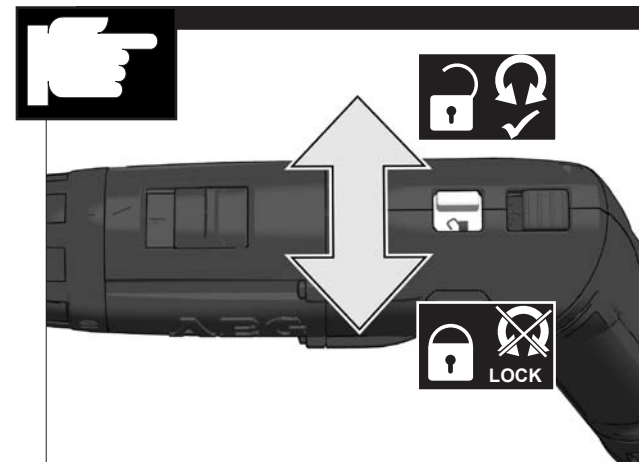
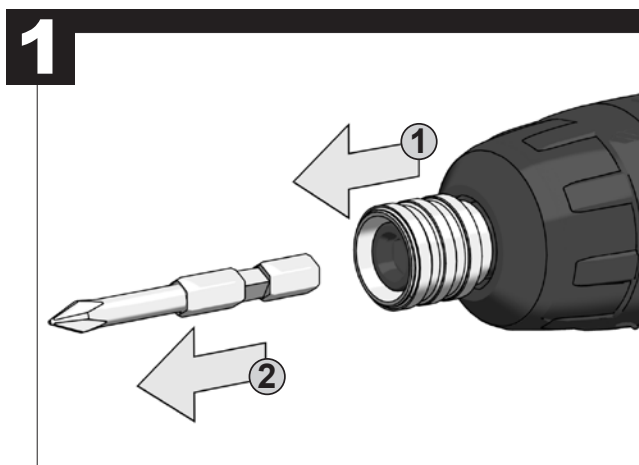
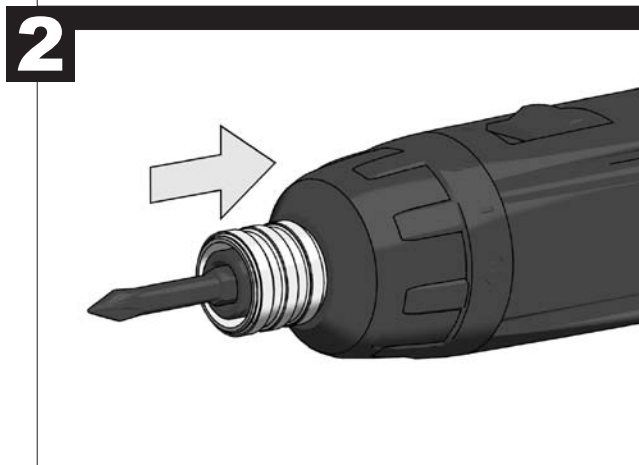
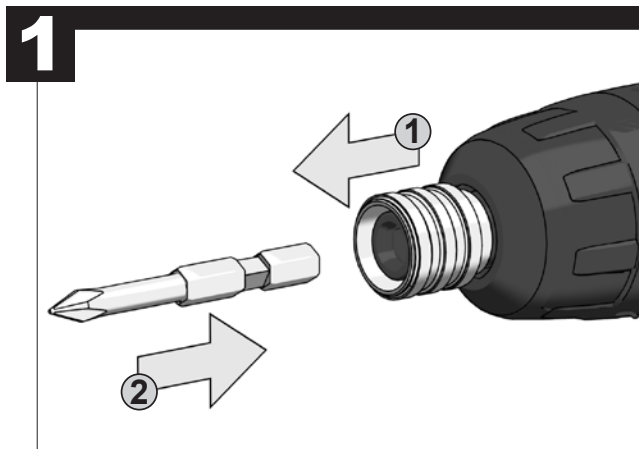
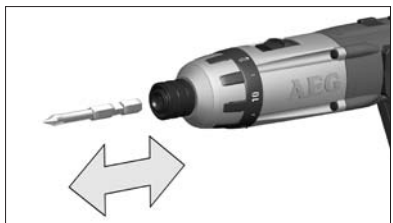


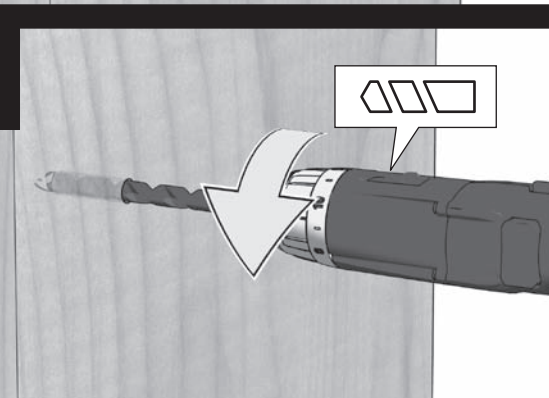
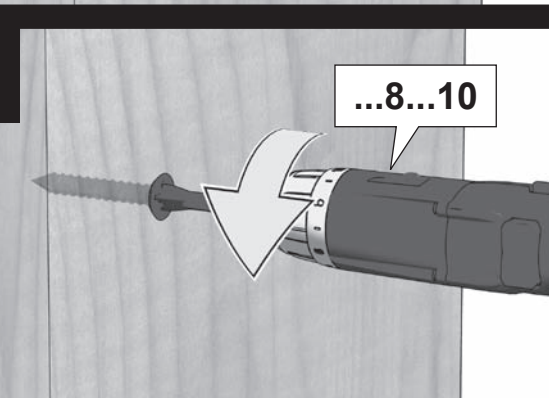
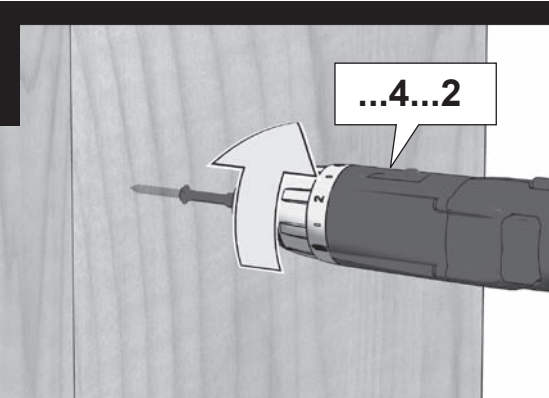
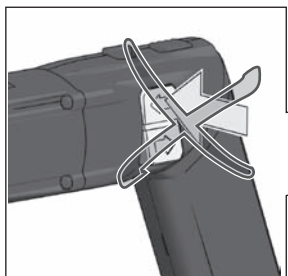
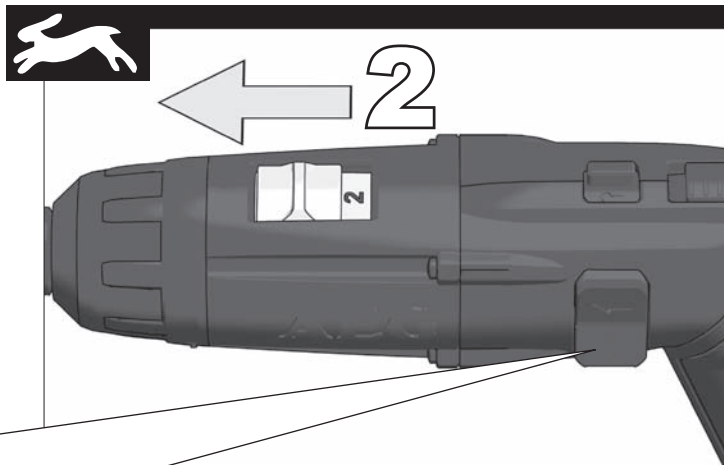
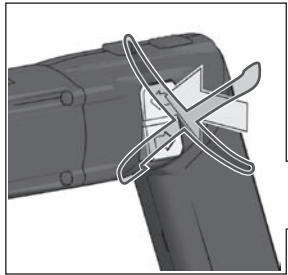
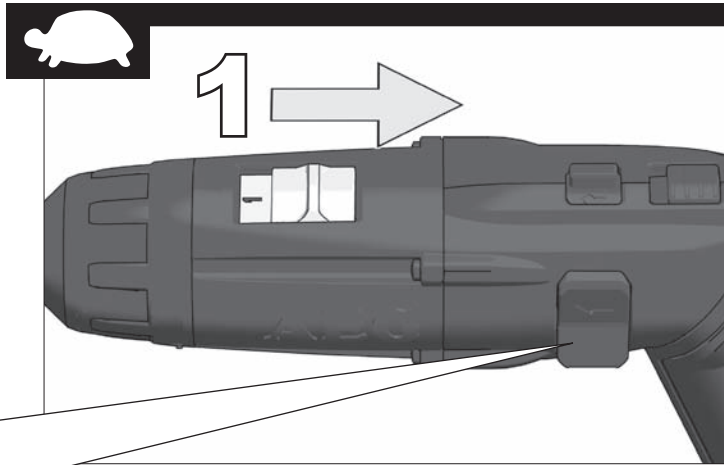
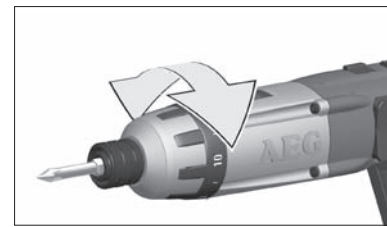
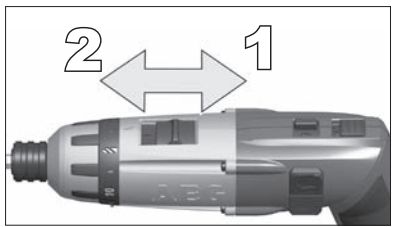


 Remove the battery pack before starting any work on the machine.
Vor allen Arbeiten an der Maschine den Wechselakku herausnehmen

Avant tous travaux sur la machine retirer l'accu interchangeable.
Prima di iniziare togliere la batteria dalla macchina.
Retire la batería antes de comenzar cualquier trabajo en la máquina.
Antes de efectuar qualquer intervenção na máquina retirar o bloco acumulador.
Voor alle werkzaamheden aan de machine de akku verwijderen.
Ved arbejde inden i maskinen, bør batteriet tages ud.
Ta ut vekselbatteriet før du arbeider på maskinen
Drag ur batteripaket innan arbete utföres på maskinen.
Tarkista pistotulppa ja verkkojohto mahdollisilta vaurioilta. Viat saa korjata vain alan erikoismies.
Πριν από κάθε εργασία στη μηχανή αφαιρέστε την ανταλλακτική μπαταρία.
Aletin kendinge bir çalışma yapmadan önce kartuş aküyü çıkarın.
Před zahájením veškerých prací na vrtacím šroubovákú vyjmout výměnný akumulátor.
Pred každou prácou na stroji výmenný akumulátor vytiahnuť.
Przed przystąpieniem do jakichkolwiek prac na elektronarzędziu należy wyjąć wkładkę akumulatorową.
Karbantartás, javítás, tisztítás, stb. előtt az akkumulátort ki kell venni a készülékből.
Pred deli na stroju izvlcite izmenljivi akumulátor.
Prije svih radova na stroju izvaditi bateriju za zamjenu.
Pirms mašīnai veikt jebkāda veida apkopes darbus, ir jāizņem arī akumulātors.
Prieš atlikdami bet kokius darbus įrenginyje, išimkite keičiamą akumuliatorių.
Enne kõiki töid masina kallal võtke vahetatav aku välja.
Выньте аккумулятор из машины перед проведением с ней каких-либо манипуляций.
Преди започване на каквито е да е работи по машината извадете акумулатора.
Scoateți acumulatorul înainte de a începe orice intervenție pe mașină.
Отстранете ја батеријата пред да започнете да ја користите машината.
在机器上进行任何维护工作之前，先拿出蓄电池。





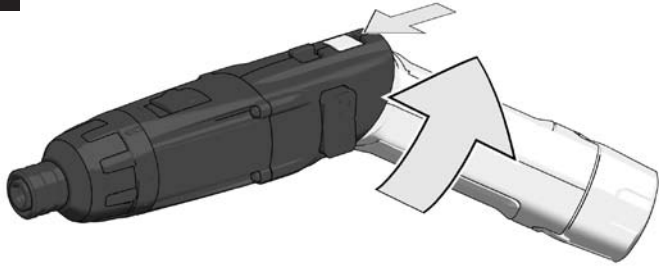




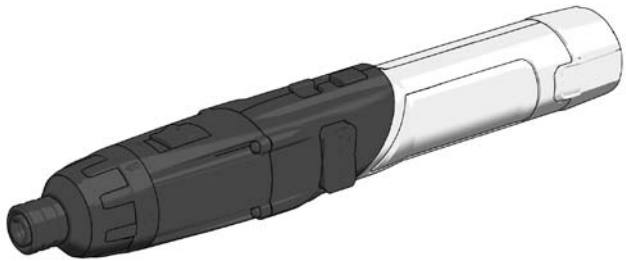
1



2



3



TECHNICAL DATA **SE 3.6** **LA 036**

Drilling capacity in steel.....	3 mm
Drilling capacity in wood.....	6 mm
Wood screws (without pre-drilling).....	4,5 mm
No-load speed, 1st gear.....	200 min ⁻¹
No-load speed, 2nd gear.....	600 min ⁻¹
Torque	
Low torque *1.....	4,5 Nm
High torque *1.....	6,5 Nm
Screwing capacity with one fully charged battery (2.0 Ah): *2	
4x30 Soft wood.....	140
Battery voltage.....	3,6 V
Weight with battery.....	0,575 kg

Noise/vibration information

Measured values determined according to EN 60 745.
Typically, the A-weighted noise levels of the tool are:
 Sound pressure level (K=3 dB(A))..... 56 dB (A)
 The noise level when working can exceed 85 dB (A).

Wear ear protectors!

Total vibration values (vector sum in the three axes) determined according to EN 60745.

Vibration emission value ah	
Drilling into metal.....	2,8 m/s ²
Uncertainty K.....	1,5 m/s ²
Screwing.....	< 2,5 m/s ²
Uncertainty K.....	1,3 m/s ²

Voltage range.....	3,6 V
Quick charge current NiCd / NiMH / Li-Ion.....	1,8 A
Maintaining charge.....	50-100 mA
Battery charging time NiCd 1,4 Ah.....	ca. 45 min
Battery charging time NiMH 2,0 Ah.....	ca. 65 min
Battery charging time Li-Ion 1,5 Ah.....	ca. 60 min
Weight without cable.....	285 g

*1 Measured according to AEG norm N 877318

*2 The values stated are reference values (2nd gear). Actual values might differ, depending on the material and quality of the screws.

WARNING

The vibration emission level given in this information sheet has been measured in accordance with a standardised test given in EN 60745 and may be used to compare one tool with another. It may be used for a preliminary assessment of exposure.

The declared vibration emission level represents the main applications of the tool. However if the tool is used for different applications, with different accessories or poorly maintained, the vibration emission may differ. This may significantly increase the exposure level over the total working period.

An estimation of the level of exposure to vibration should also take into account the times when the tool is switched off or when it is running but not actually doing the job. This may significantly reduce the exposure level over the total working period.

Identify additional safety measures to protect the operator from the effects of vibration such as: maintain the tool and the accessories, keep the hands warm, organisation of work patterns.

⚠ WARNING! Read all safety warnings and all instructions, including those given in the accompanying brochure. Failure to follow the warnings and instructions may result in electric shock, fire and/or serious injury.

Save all warnings and instructions for future reference.

SAFETY INSTRUCTIONS

Hold power tool by insulated gripping surfaces, when performing an operation where the cutting accessory may contact hidden wiring or its own cord. Contact with a „live“ wire will also make exposed metal parts of the power tool „live“ and shock the operator.

Wear ear protectors. Exposure to noise can cause hearing loss.

Always wear goggles when using the machine. It is recommended to wear gloves, sturdy non slipping shoes and apron.

Sawdust and splinters must not be removed while the machine is running.

When working in walls ceiling, or floor, take care to avoid electric cables and gas or waterpipes.

Remove the battery pack before starting any work on the machine.

Do not dispose of used battery packs in the household refuse or by burning them. AEG Distributors offer to retrieve old batteries to protect our environment.

Do not store the battery pack together with metal objects (short circuit risk).

Use only System SE36 chargers for charging System SE36 battery packs. Do not use battery packs from other systems.

Battery acid may leak from damaged batteries under extreme load or extreme temperatures. In case of contact with battery acid wash it off immediately with soap and water. In case of eye contact rinse thoroughly for at least 10 minutes and immediately seek medical attention.

The following battery packs can be charged with this charger:

voltage	battery	rating (of storage battery)	No. of battery cells
3,6 V	SB 3,6	≥ 1,4 Ah	3
3,6 V	SM 3,6	≥ 2,0 Ah	3
3,6 V	SL 3,6	≥ 1,5 Ah	1

Do not try to charge non-chargeable batteries with this charger.

No metal parts must be allowed to enter the battery section of the charger (short circuit risk).

Never break open battery packs and chargers and store only in dry rooms. Keep dry at all times.

Do not touch the tool with conducting objects.

Never charge a damaged battery pack. Replace by a new one.

Before use check machine, cable, and plug for any damages or material fatigue. Repairs should only be carried out by authorised Service Agents.

This charger is not intended for use by young children or infirm persons without supervision. Young children should be supervised to ensure that they do not play with the charger.

This tool is not intended for use by persons (including children) with limited physical, sensory or mental capabilities or insufficient experience and/or knowledge unless they are supervised by a person who is responsible for their safety or have been instructed by them in the safe use of the tool. Children should be supervised in order to ensure that they do not play with the tool.

SPECIFIED CONDITIONS OF USE

The battery drill/screwdriver is designed for drilling and screwdriving for independent use away from mains supply.

The quick charger can charge AEG batteries System SE36 from 3,6 V.

Do not use this product in any other way as stated for normal use.

MAINS CONNECTION LA 036

Connect only to single-phase a.c. current and only to the system voltage indicated on the rating plate. It is also possible to connect to sockets without an earthing contact as the design conforms to safety class II.

EC-DECLARATION OF CONFORMITY

We declare under our sole responsibility that this product is in conformity with the following standards or standardized documents: EN 60745, EN 55014-1, EN 55014-2, EN 60335, EN 61000-3-2, EN 61000-3-3, EN 50366 in accordance with the regulations 98/37/EC, 2006/95/EC, 2004/108/EC



Winnenden, 2009-05-19

Rainer Kumpf

Rainer Kumpf
Manager Product Development

ADVICE FOR OPERATION

Never use the gear switch whilst the machine is operating. Only use the switch when the machine is at a standstill.

BATTERIES

New battery packs reach full loading capacity after 4 - 5 chargings and dischargings. Battery packs which have not been used for some time should be recharged before use.

Temperatures in excess of 50°C (122°F) reduce the performance of the battery pack. Avoid extended exposure to heat or sunshine (risk of overheating).

The contacts of chargers and battery packs must be kept clean.

General note concerning NiMH batteries: The capacity of the battery is reduced when the temperature falls below -10°C. Long-term storage at temperatures higher than +40°C may have negative effects on the capacity of the battery.

CHARACTERISTICS

After inserting the battery into the reception of the charger the battery will automatically be charged (yellow control lamp is illuminated continuously)

When a hot or cold battery pack is inserted into the charger (flashing red lamp), charging will begin automatically once the battery reaches the correct charging temperature (NiCd/NiMH -5°C...50°C, Li-Ion 0°C...55°C).

Charging time varies depending on the battery temperature, charge needed and the type of battery pack being charged.

As soon as charging is completed, the charger switches over to "trickle" charge to maintain the full capacity (green control lamp is illuminated continuously)

It is not necessary to remove the battery after charging. The battery can be stored permanently in the charger without the danger of being overcharged.

If both LEDs flash, either the battery has not been completely mounted or there is a fault in the battery or the charger. For safety reasons you must stop using the charger and battery immediately and have them inspected by an AEG Customer Service Centre.

MAINTENANCE

If the supply cord of this appliance is damaged, it must only be replaced by a repair shop appointed by the manufacturer, because special parts are required

Use only AEG accessories and spare parts. Should components need to be replaced which have not been described, please contact one of our AEG service agents (see our list of guarantee/ service addresses).

If needed, an exploded view of the tool can be ordered. Please state the Article No. as well as the machine type printed on the label and order the drawing at your local service agents or directly at: AEG Elektrowerkzeuge, Max-Eyth-Straße 10, D-71364 Winnenden, Germany.

SYMBOLS



Please read the instructions carefully before starting the machine.



Accessory - Not included in standard equipment, available as an accessory.



Remove the battery pack before starting any work on the machine.



Do not dispose of electric tools together with household waste material! In observance of European Directive 2002/96/EC on waste electrical and electronic equipment and its implementation in accordance with national law, electric tools that have reached the end of their life must be collected separately and returned to an environmentally compatible recycling facility.



Do not burn used battery packs.



Never charge a damaged battery pack. Replace by a new one.



TECHNISCHE DATEN **SE 3.6** **LA 036**

Bohr- ϕ in Stahl.....	3 mm
Bohr- ϕ in Holz.....	6 mm
Holzschrauben.....	4,5 mm
Leerlaufdrehzahl im 1. Gang.....	200 min ⁻¹
Leerlaufdrehzahl im 2. Gang.....	600 min ⁻¹
Drehmoment	
weicher Schraubfall max.*1.....	4,5 Nm
harter Schraubfall max.*1.....	6,5 Nm
Schraubkapazität mit 1 Akkuladung (2,0 Ah): *2	
4x30 in Weichholz.....	140
Spannung Wechselakku.....	3,6 V
Gewicht mit Wechselakku.....	0,575 kg

Geräusch/Vibrationsinformation
 Messwerte ermittelt entsprechend EN 60 745.
 Der A-bewertete Geräuschpegel des Gerätes beträgt typischerweise:
 Schalldruckpegel (K=3 dB(A))..... 56 dB (A)
 Der Geräuschpegel beim Arbeiten kann 80 dB (A) überschreiten.
Gehörschutz tragen!

Schwingungsgesamtwerte (Vektorsumme dreier Richtungen) ermittelt entsprechend EN 60745.
 Schwingungsemissionswert a_w

Bohren in Metall.....	2,8 m/s ²
Unsicherheit K =.....	1,5 m/s ²
Schrauben.....	< 2,5 m/s ²
Unsicherheit K =.....	1,3 m/s ²

Spannungsbereich.....	3,6 V
Ladestrom Schnellladung NiCd / NiMH / Li-Ion.....	1,8 A
Erhaltungsladung.....	50-100 mA
Ladezeit NiCd mit 1,4 Ah.....	ca. 45 min
Ladezeit NiMH mit 2,0 Ah.....	ca. 65 min
Ladezeit Li-Ion mit 1,5 Ah.....	ca. 60 min
Gewicht ohne Netzkabel.....	285 g

*1 Gemessen nach AEG Norm N 877318
 *2 Die angegebenen Werte sind Richtwerte (2. Gang).
 Die tatsächlichen Werte können je nach Material und Schraubengüte davon abweichen.

WARNUNG
 Der in diesen Anweisungen angegebene Schwingungspegel ist entsprechend einem in EN 60745 genormten Messverfahren gemessen worden und kann für den Vergleich von Elektrowerkzeugen miteinander verwendet werden. Er eignet sich auch für eine vorläufige Einschätzung der Schwingungsbelastung.

Der angegebene Schwingungspegel repräsentiert die hauptsächlichsten Anwendungen des Elektrowerkzeugs. Wenn allerdings das Elektrowerkzeug für andere Anwendungen, mit abweichenden Einsatzwerkzeugen oder ungenügender Wartung eingesetzt wird, kann der Schwingungspegel abweichen. Dies kann die Schwingungsbelastung über den gesamten Arbeitszeitraum deutlich erhöhen.

Für eine genaue Abschätzung der Schwingungsbelastung sollten auch die Zeiten berücksichtigt werden, in denen das Gerät abgeschaltet ist oder zwar läuft, aber nicht tatsächlich im Einsatz ist. Dies kann die Schwingungsbelastung über den gesamten Arbeitszeitraum deutlich reduzieren.

Legen Sie zusätzliche Sicherheitsmaßnahmen zum Schutz des Bedieners vor der Wirkung von Schwingungen fest wie zum Beispiel: Wartung von Elektrowerkzeug und Einsatzwerkzeugen, Warmhalten der Hände, Organisation der Arbeitsabläufe.

⚠️ WARNUNG! Lesen Sie alle Sicherheitshinweise und Anweisungen, auch die in der beiliegenden Broschüre. Versäumnisse bei der Einhaltung der Sicherheitshinweise und Anweisungen können elektrischen Schlag, Brand und/oder schwere Verletzungen verursachen.
Bewahren Sie alle Sicherheitshinweise und Anweisungen für die Zukunft auf.

SPEZIELLE SICHERHEITSHINWEISE

Halten Sie das Gerät an den isolierten Griffflächen, wenn Sie Arbeiten ausführen, bei denen das Einsatzwerkzeug verborgene Stromleitungen oder das eigene Kabel treffen kann. Der Kontakt mit einer spannungsführenden Leitung setzt auch die metallenen Geräteteile unter Spannung und führt zu einem elektrischen Schlag.

Tragen Sie Gehörschutz. Die Einwirkung von Lärm kann Hörverlust bewirken.

Beim Arbeiten mit der Maschine stets Schutzbrille tragen. Schutzhandschuhe, festes und rutschsicheres Schuhwerk und Schürze werden empfohlen.

Späne oder Splitter dürfen bei laufender Maschine nicht entfernt werden.

Beim Arbeiten in Wand, Decke oder Fußboden auf elektrische Kabel, Gas- und Wasserleitungen achten.

Vor allen Arbeiten an der Maschine den Wechselakku herausnehmen

Verbrauchte Wechselakkus nicht ins Feuer oder in den Hausmüll werfen. AEG bietet eine umweltgerechte Alt-Wechselakku-Entsorgung an; bitte fragen Sie Ihren Fachhändler.

Wechselakkus nicht zusammen mit Metallgegenständen aufbewahren (Kurzschlussgefahr).

Wechselakkus des Systems SE36 nur mit Ladegeräten des Systems SE36 laden. Keine Akkus aus anderen Systemen laden.

Unter extremer Belastung oder extremer Temperatur kann aus beschädigten Wechselakkus Batterieflüssigkeit auslaufen. Bei Berührung mit Batterieflüssigkeit sofort mit Wasser und Seife abwaschen. Bei Augenkontakt sofort mindestens 10 Minuten gründlich spülen und unverzüglich einen Arzt aufsuchen.

Mit dem Ladegerät können folgende Wechselakkus geladen werden:

Spannung	Akkutyp	Nennkapazität	Anzahl der Zellen
3,6 V	SB 3.6	≥ 1,4 Ah	3
3,6 V	SM 3.6	≥ 2,0 Ah	3
3,6 V	SL 3.6	≥ 1,5 Ah	1

Mit dem Ladegerät dürfen keine nichtaufladbaren Batterien geladen werden.

In den Wechselakku-Einschubschacht der Ladegeräte dürfen keine Metallteile gelangen (Kurzschlussgefahr).

Wechselakku und Ladegeräte nicht öffnen und nur in trockenen Räumen lagern. Vor Nässe schützen.

Nicht mit stromleitenden Gegenständen in das Gerät fassen.

Keinen beschädigten Wechselakku laden, sondern diesen sofort ersetzen.

Vor jedem Gebrauch Gerät, Anschlusskabel, Akkupack Verlängerungskabel und Stecker auf Beschädigung und Alterung kontrollieren. Beschädigte Teile nur von einem Fachmann reparieren lassen.

Dieses Gerät ist nicht dafür bestimmt, durch Personen (einschließlich Kinder) mit eingeschränkten physischen, sensorischen oder geistigen Fähigkeiten oder mangels Erfahrung und/oder mangels Wissen benutzt zu werden, es sei denn, sie werden durch eine für ihre Sicherheit zuständige Person beaufsichtigt oder erhielten von ihr Anweisungen, wie das Gerät zu benutzen ist. Kinder sollten beaufsichtigt werden, um sicherzustellen, dass sie nicht mit dem Gerät spielen.

BESTIMMUNGSGEMÄRE VERWENDUNG

Der Akku-Bohrschrauber ist universell einsetzbar zum Bohren und Schrauben unabhängig von einem Netzanschluss.

Das Schnellladegerät lädt AEG-Wechselakkus des Systems SE36 von 3,6 V.

Dieses Gerät darf nur wie angegeben bestimmungsgemäß verwendet werden.

NETZANSCHLUSS LA 036

Nur an Einphasen-Wechselstrom und nur an die auf dem Leistungsschild angegebene Netzspannung anschließen. Anschluss ist auch an Steckdosen ohne Schutzkontakt möglich, da ein Aufbau der Schutzklasse II vorliegt.

CE-KONFORMITÄTSERKLÄRUNG

Wir erklären in alleiniger Verantwortung, dass dieses Produkt mit den folgenden Normen oder normativen Dokumenten übereinstimmt: EN 60745, EN 55014-1, EN 55014-2, EN 60335, EN 61000-3-2, EN 61000-3-3, EN 50 366, gemäß den Bestimmungen der Richtlinien 98/37/EG, 2006/95/EG, 2004/108/EG

 
 Winnenden, 2009-05-19 Rainer Kumpf
 Manager Product Development

ARBEITSHINWEISE

Den Gangschalter niemals bei eingeschalteter Maschine, sondern nur im Stillstand betätigen.

AKKUS

Neue Wechselakkus erreichen ihre volle Kapazität nach 4-5 Lade- und Entladezyklen. Längere Zeit nicht benutzte Wechselakkus vor Gebrauch nachladen.

Eine Temperatur über 50°C vermindert die Leistung des Wechselakkus. Längere Erwärmung durch Sonne oder Heizung vermeiden.

Die Anschlusskontakte an Ladegerät und Wechselakku sauber halten.

Allgemeine Hinweise zu NiMH-Akkus:
 Die Leistungsfähigkeit ist bei Temperaturen unter -10°C nur eingeschränkt vorhanden. Langzeitlagerungen bei Temperaturen höher +40°C kann negative Auswirkungen auf die Kapazität des Akkus haben.

MERKMALE

Nach Einstecken des Wechselakkus in den Einschubschacht des Ladegerätes wird der Wechselakku automatisch geladen (gelbe LED leuchtet dauernd).

Wenn ein zu warmer oder ein zu kalter Akku in das Ladegerät eingesetzt wird (gelbe LED blinkt), beginnt der Aufladevorgang

automatisch, sobald der Akku die korrekte Aufladetemperatur erreicht hat (NiCd/NiMH -5°C...50°C, Li-Ion 0°C...55°C).

Die Ladezeit kann je nach Akkumtemperatur, benötigter Auflademenge und der Akkukapazität variieren.

Bei vollständig geladenem Wechselakku schaltet das Gerät auf Erhaltungsladung um für höchst nutzbare Akkukapazität (grüne LED leuchtet).

Der Wechselakku braucht nach dem Aufladen nicht aus dem Ladegerät genommen werden. Der Wechselakku kann dauernd im Ladegerät bleiben. Er kann dabei nicht überladen werden und ist so immer betriebsbereit.

Blinken beide LED, so ist entweder der Akku nicht vollständig aufgeschoben oder es liegt ein Fehler an Akku oder Ladegerät vor. Ladegerät und Akku aus Sicherheitsgründen sofort außer Betrieb nehmen und bei einer AEG Kundendienststelle überprüfen lassen.



WARTUNG


Wenn die Netzanschlussleitung beschädigt ist, muss diese durch eine AEG Kundendienststelle ausgewechselt werden, weil dazu Sonderteile erforderlich ist.


Nur AEG Zubehör und Ersatzteile verwenden. Bauteile, deren Austausch nicht beschrieben wurde, bei einer AEG Kundendienststelle auswechseln lassen (Broschüre Garantie/Kundendienstadressen beachten).

Bei Bedarf kann eine Explosionszeichnung des Gerätes unter Angabe der Maschinen Type und der zehnstelligen Nummer auf dem Leistungsschild bei Ihrer Kundendienststelle oder direkt bei AEG Elektrowerkzeuge, Max-Eyth-Straße 10, D-71364 Winnenden, Germany angefordert werden.


SYMBOLS

  Bitte lesen Sie die Gebrauchsanweisung vor Inbetriebnahme sorgfältig durch.


 Zubehör - Im Lieferumfang nicht enthalten, empfohlene Ergänzung aus dem Zubehörprogramm.

 Vor allen Arbeiten an der Maschine den Wechselakku herausnehmen

 Werfen Sie Elektrowerkzeuge nicht in den Hausmüll! Gemäss Europäischer Richtlinie 2002/96/EG über Elektro- und Elektronik- Altgeräte und Umsetzung in nationales Recht müssen verbrauchte Elektrowerkzeuge getrennt gesammelt und einer umweltgerechten Wiederverwertung zugeführt werden.

 Akkus nicht ins Feuer werfen.



 Keinen beschädigten Akku laden, sondern diesen sofort ersetzen.



CARACTÉRISTIQUES TECHNIQUES**SE 3.6****LA 036**

Ø de perçage dans acier.....	3 mm
Ø de perçage dans bois.....	6 mm
Vis à bois (sans avant trou).....	4,5 mm
Vitesse de rotation 1ère vitesse.....	200 min ⁻¹
Vitesse de rotation 2ème vitesse.....	600 min ⁻¹
Couple	
Cas de vis : tendre *1.....	4,5 Nm
Cas de vis : dur *1.....	6,5 Nm
Capacité de vissage d'une charge d'accu (2,0 Ah): *2	
4x30 bois tendre.....	140
Tension accu interchangeable.....	3,6 V
Poids avec accu interchangeable.....	0,575 kg

Informations sur le bruit et les vibrations

Valeurs de mesure obtenues conformément à la EN 60 745.
Les mesures réelles (A) des niveaux acoustiques de l'appareil sont :

Niveau de pression acoustique (K=3dB(A))..... 56 dB (A)

Le niveau de bruit à l'état de marche peut dépasser 85 dB (A).

Toujours porter une protection acoustique!

Valeurs totales des vibrations (somme vectorielle de trois sens) établies conformément à EN 60745.

Valeur d'émission vibratoire ah	
Perçage dans le métal.....	2,8 m/s ²
Incertitude K.....	1,5 m/s ²
Vissage.....	< 2,5 m/s ²
Incertitude K.....	1,3 m/s ²

Plage de tension.....	3,6 V
Courant charge rapide NiCd / NiMH / Li-Ion.....	1,8 A
Charge de maintien.....	50-100 mA
Durée de charge NiCd 1,4 Ah.....	ca. 45 min
Durée de charge NiMH 2,0 Ah.....	ca. 65 min
Durée de charge Li-Ion 1,5 Ah.....	ca. 60 min
Poids sans câble de réseau.....	285 g

*1 Mesuré selon la norme AEG N 877318

*2 Les valeurs indiquées sont des valeurs à titre indicatif (2ème vitesse). Les valeurs réelles peuvent varier des valeurs indiquées en fonction du matériau et de la qualité des vis.

AVERTISSEMENT

Le niveau vibratoire indiqué dans ces instructions a été mesuré selon un procédé de mesure normalisé dans la norme EN 60745 et peut être utilisé pour comparer des outils électriques entre eux. Il convient aussi à une estimation provisoire de la sollicitation par les vibrations.

Le niveau vibratoire indiqué représente les applications principales de l'outil électrique. Toutefois, si l'outil électrique est utilisé pour d'autres applications, avec des outils rapportés qui diffèrent ou une maintenance insuffisante, il se peut que le niveau vibratoire diverge. Cela peut augmenter nettement la sollicitation par les vibrations sur tout l'intervalle de temps du travail.

Pour une estimation précise de la sollicitation par les vibrations, on devrait également tenir compte des temps pendant lesquels l'appareil n'est pas en marche ou tourne sans être réellement en service. Cela peut réduire nettement la sollicitation par les vibrations sur tout l'intervalle de temps du travail.

Définissez des mesures de sécurité supplémentaires pour protéger l'utilisateur contre l'influence des vibrations, comme par exemple : la maintenance de l'outil électrique et des outils rapportés, le maintien au chaud des mains, l'organisation des déroulements de travail.

⚠ AVERTISSEMENT! Lisez toutes les consignes de sécurité et les instructions, même celles qui se trouvent dans la brochure ci-jointe. Le non-respect des avertissements et instructions indiqués ci après peut entraîner un choc électrique, un incendie et/ou de graves blessures sur les personnes.

Bien garder tous les avertissements et instructions.

INSTRUCTIONS DE SÉCURITÉ PARTICULIÈRES

Maintenez l'appareil par les surfaces de poignée isolées lorsque vous exécutez des travaux pendant lesquels l'outil de coupe peut toucher des lignes électriques dissimulées ou le propre câble. Le contact avec un câble sous tension met les parties métalliques de l'appareil sous tension et provoque une décharge électrique.

Portez une protection acoustique. L'influence du bruit peut provoquer la surdité.

Toujours porter des lunettes protectrices en travaillant avec la machine. Des gants de sécurité, des chaussures solides et à semelles antidérapantes et un tablier sont recommandés.

Ne jamais enlever les copeaux ni les éclats lorsque la machine est en marche.

Lors du perçage dans les murs, les plafonds ou les planchers, toujours faire attention aux câbles électriques et aux conduites de gaz et d'eau.

Avant tous travaux sur la machine retirer l'accu interchangeable.

Ne pas jeter les accus interchangeables usés au feu ou avec les déchets ménagers. AEG offre un système d'évacuation écologique des accus usés.

Ne pas conserver les accus interchangeables avec des objets métalliques (risque de court-circuit)

Ne charger les accus interchangeables du système SE36 qu'avec le chargeur d'accus du système SE36. Ne pas charger des accus d'autres systèmes.

En cas de conditions ou températures extrêmes, du liquide caustique peut s'échapper d'un accu interchangeable endommagé. En cas de contact avec le liquide caustique de la batterie, laver immédiatement avec de l'eau et du savon. En cas de contact avec les yeux, rincer soigneusement avec de l'eau et consulter immédiatement un médecin.

Avec le chargeur il est possible de charger les accus interchangeables suivants :

Tension	Type d'accu	Capacité nominale	Nombre de cellules
3,6 V	SB 3.6	≥ 1,4 Ah	3
3,6 V	SM 3.6	≥ 2,0 Ah	3
3,6 V	SL 3.6	≥ 1,5 Ah	1

Ne pas essayer de charger des accus non rechargeables avec ce chargeur

Aucune pièce métallique ne doit pénétrer dans le logement d'accu du chargeur (risque de court-circuit)

Ne pas ouvrir les accus interchangeables et les chargeurs et ne les stocker que dans des locaux secs. Les protéger contre l'humidité.

Ne pas introduire de pièces conductrices dans l'appareil.

Ne pas charger un accu interchangeable défectueux, le remplacer tout de suite.

Avant toute utilisation, vérifier que la machine, le câble d'alimentation, la batterie d'accumulateurs, le câble de rallonge et la fiche ne sont pas endommagés ni usés. Ne faire réparer les éléments endommagés que par un spécialiste.

Cet appareil n'est pas destiné à être utilisé par des personnes (y compris des enfants) présentant des capacités restreintes au niveau physique, sensoriel ou mental, ou qui manquent d'expérience ou de connaissances, à moins que de telles personnes soient surveillées par une autre personne compétente en matière de sécurité ou aient reçu de cette dernière les instructions adéquates concernant l'utilisation de l'appareil. Les enfants doivent être surveillés afin de garantir qu'ils ne jouent pas avec l'appareil.

UTILISATION CONFORME AUX PRESCRIPTIONS

La perceuse-visseuse à accu est conçue pour un travail universel de perçage et de vissage sans être branchée sur le secteur.

Le chargeur rapide permet de charger les accus interchangeables AEG Systems SE36 de 3,6 V

Comme déjà indiqué, cette machine n'est conçue que pour être utilisée conformément aux prescriptions.

COLLEGAMENTO ALLA RETE LA 036

Raccorder uniquement à un courant électrique monophasé et uniquement à la tension secteur indiquée sur la plaque signalétique. Le raccordement à des prises de courant sans contact de protection est également possible car la classe de protection II est donnée.

DECLARATION CE DE CONFORMITÉ

Nous déclarons sous notre responsabilité que ce produit est en conformité à la tension secteur indiquée sur la plaque signalétique. Les normes ou documents normalisés suivants: EN 60745, EN 55014-1, EN 55014-2, EN 60335, EN 61000-3-2, EN 61000-3-3, EN 50 366 conformément aux réglementations 98/37/CE, 2006/95/CE, 2004/108/CE



Winnenden, 2009-05-19

Rainer Kumpf
Rainer Kumpf
Manager Product Development

CONSEILS PRATIQUES

Ne jamais actionner le commutateur sélectif pendant que la machine est enclenchée, mais seulement si elle est à l'arrêt.

ACCUS

Les nouveaux accus interchangeables atteignent leur pleine capacité après 4-5 cycles de chargement et déchargement. Recharger les accus avant utilisation après une longue période de non utilisation.

Une température supérieure à 50°C amoindrit la capacité des accus. Éviter les expositions prolongées au soleil ou au chauffage.

Tenir propres les contacts des accus et des chargeurs.

Indications générales pour les accus NiMH :

Leur capacité se trouve réduite à des températures inférieures à -10°C.

Un stockage à des températures supérieures à +40°C peut avoir des effets négatifs sur les accus.

DESCRIPTION

L'accu interchangeable est automatiquement chargé une fois introduit dans le logement du chargeur (la LED jaune reste allumée en permanence).

Si un accu interchangeable trop froid ou trop chaud est introduit dans le chargeur (la LED rouge clignote), le processus de charge est automatiquement déclenché dès que l'accu atteint la température de charge correcte (NiCd/NiMH -5°C...50°C, Li-Ion 0°C...55°C).

Elle peut varier en fonction de la température de l'accu, de la charge nécessaire et de la capacité d'accu.

Quand l'accu interchangeable est complètement chargé, le chargeur rapide passe en mode de charge de maintien, pour permettre la plus grande capacité utile d'accu possible (la LED verte reste allumée en permanence).

Il n'est pas nécessaire de sortir l'accu du chargeur après le chargement. L'accu interchangeable peut rester dans le chargeur en permanence. Il ne peut pas être surchargé, et il est ainsi utilisable à tout moment.

Si les deux LED clignotent, cela signifie, soit que l'accu n'a pas été inséré complètement, soit qu'une erreur s'est présentée sur l'accu ou sur le chargeur. Pour des raisons de sécurité, il est impératif de mettre le chargeur et l'accu immédiatement hors service et de les faire vérifier par un centre de service après-vente AEG.

ENTRETIEN

Lorsque le câble d'alimentation du secteur est endommagé, il doit être échangé par une station de service après-vente AEG étant donné qu'un outillage spécial est nécessaire à cet effet.

N'utiliser que des pièces et accessoires AEG. Pour des pièces dont l'échange n'est pas décrit, s'adresser de préférence aux stations de service après-vente AEG (voir brochure Garantie/Adresses des stations de service après-vente).

Si besoin est, une vue éclatée de l'appareil peut être fournie. S'adresser, en indiquant bien le numéro à dix chiffres porté sur la plaque signalétique, à votre station de service après-vente (voir liste jointe) ou directement à AEG Elektrowerkzeuge, Max-Eyth-Straße 10, D-71364 Winnenden, Germany.

SYMBOLS

Veillez lire avec soin le mode d'emploi avant la mise en service



Accessoires - Ces pièces ne font pas partie de la livraison. Il s'agit là de compléments recommandés pour votre machine et énumérés dans le catalogue des accessoires.



Avant tous travaux sur la machine retirer l'accu interchangeable.



Ne pas jeter les appareils électriques dans les ordures ménagères! Conformément à la directive européenne 2002/96/EG relative aux déchets d'équipements électriques ou électroniques (DEEE), et à sa transposition dans la législation nationale, les appareils électriques doivent être collectés à part et être soumis à un recyclage respectueux de l'environnement.



Ne pas brûler les batteries de recharge.



Ne pas charger un accu interchangeable défectueux, le remplacer tout de suite.

DATI TECNICI **SE 3.6** **LA 036**

Ø Foratura in acciaio	3 mm
Ø Foratura in legno	6 mm
Avvitatore nel legno (senza preforatura)	4,5 mm
Numero di giri a vuoto in 1. Velocità	200 min ⁻¹
Numero di giri a vuoto in 2. Velocità	600 min ⁻¹
Momento torcente	
Avvitamento morbido *1	4,5 Nm
Avvitamento duro *1	6,5 Nm
Vapacità di avvitatura con una carica (2,0 Ah): *2	
4x30 in legno tenero	140
Tensione batteria	3,6 V
Peso con Batteria	0,575 kg

Informazioni sulla rumorosità/sulle vibrazioni
 Valori misurati conformemente alla norma EN 60 745.
 La misurazione A del livello di pressione acustica dell'utensile è di solito di:

Livello di rumorosità (K = 3 dB(A))	56 dB (A)
---	-----------

Il livello di rumorosità durante le lavorazioni può superare gli 85 dB (A).

Utilizzare le protezioni per l'udito!

Valori totali delle oscillazioni (somma di vettori in tre direzioni) misurati conformemente alla norma EN 60745

Valore di emissione dell'oscillazione ah

Perforazione in metallo	2,8 m/s ²
Incertezza della misura K	1,5 m/s ²
Avvitatura	< 2,5 m/s ²
Incertezza della misura K	1,3 m/s ²

Gamma di tensione	3,6 V
Corrente di carica carica rapida NiCd / NiMH / Li-Ion	1,8 A
Carica di compensazione	50-100 mA
Tempo di carica NiCd 1,4 Ah	ca. 45 min
Tempo di carica NiMH 2,0 Ah	ca. 65 min
Tempo di carica Li-Ion 1,5 Ah	ca. 60 min
Peso senza cavo di rete	285 g

*1 Misurato conf. norma N 877318 AEG
 *2 I valori fissi sono quelli di riferimento (2. Velocità).
 I valori reali potrebbero essere diversi a seconda del materiale e della qualità delle viti.

AVVERTENZA

Il livello di vibrazioni indicato nelle presenti istruzioni è stato misurato in conformità con un procedimento di misurazione codificato nella EN 60745 e può essere utilizzato per un confronto tra attrezzi elettrici. Inoltre si può anche utilizzare per una valutazione preliminare della sollecitazione da vibrazioni.

Il livello di vibrazioni indicato rappresenta le applicazioni principali dell'attrezzo elettrico. Se viceversa si utilizza l'attrezzo elettrico per altri scopi, con accessori differenti o con una manutenzione insufficiente, il livello di vibrazioni può risultare diverso. E questo può aumentare decisamente la sollecitazione da vibrazioni lungo l'intero periodo di lavorazione.

Ai fini di una valutazione precisa della sollecitazione da vibrazioni si dovrebbero tenere presente anche i periodi in cui l'apparecchio rimane spento oppure, anche se acceso, non viene effettivamente utilizzato. Ciò può ridurre notevolmente la sollecitazione da vibrazioni lungo l'intero periodo di lavorazione.

Stabilite misure di sicurezza supplementari per la tutela dell'operatore dall'effetto delle vibrazioni, come ad esempio: manutenzione dell'attrezzo elettrico e degli accessori, riscaldamento delle mani, organizzazione dei processi di lavoro.

⚠ AVVERTENZA! E' necessario leggere tutte le indicazioni di sicurezza e le istruzioni, anche quelle contenute nella brochure allegata. In caso di mancato rispetto delle avvertenze di pericolo e delle istruzioni operative si potrà creare il pericolo di scosse elettriche, incendi e/o incidenti gravi.
Conservare tutte le avvertenze di pericolo e le istruzioni operative per ogni esigenza futura.

NORME DI SICUREZZA

Impugnare l'apparecchio sulle superfici di tenuta isolate mentre si eseguono lavori durante i quali l'utensile da taglio potrebbe entrare in contatto con cavi di corrente o con il proprio cavo d'alimentazione. In caso di contatto con una linea portatrice di tensione anche le parti metalliche della macchina vengono sottoposte a tensione provocando una scossa di corrente elettrica.

Indossare protezioni acustiche adeguate. L'esposizione prolungata al rumore senza protezione può causare danni all'udito.

Durante l'uso dell'apparecchio utilizzare sempre gli occhiali di protezione. Inoltre si consiglia di usare sistemi di protezione per la respirazione e per l'udito, oltre ai guanti di protezione.

Non rimuovere trucioli o schegge mentre l'utensile è in funzione.

Forando pareti, soffitti o pavimenti, si faccia attenzione ai cavi elettrici e alle condutture dell'acqua e del gas.

Con il carica tensione	tipo di batteria	capacità nominale	n. celle della batteria
3,6 V	SB 3.6	≥ 1,4 Ah	3
3,6 V	SM 3.6	≥ 2,0 Ah	3
3,6 V	SL 3.6	≥ 1,5 Ah	1

Il caricabatterie può essere utilizzato solo con batterie ricaricabili.

Non conservare le batterie con oggetti metallici (pericolo di cortocircuito).

Non aprire nè la batteria nè il caricatore e conservarli solo in luogo asciutto. Proteggerli dalla umidità.

Evitare di inserirvi oggetti conduttori.

Non caricare batterie danneggiate. Eventuali batterie danneggiate devono essere sostituite.

Prima di ogni utilizzo controllare che il cavo di alimentazione, eventuali prolunghe e la spina siano integre e senza danni. Eventualmente parti danneggiate devono essere controllate e riparate da un tecnico.

Il presente apparato non è destinato all'uso da parte di persone (bambini compresi) con abilità fisiche, sensoriali o intellettuali limitate o da parte di persone con mancanza di esperienza o mancanze delle necessarie conoscenze, salvo che vengano sorvegliate da una persona responsabile per la loro sicurezza o che siano state da quest'ultima istruita su come utilizzare l'apparato stesso.
 Sorvegliare i bambini per accertarsi che non giochino con l'apparato.

UTILIZZO CONFORME

Il trapano-avvitatore Accu è utilizzabile universalmente per forare e avvitare indipendentemente dal collegamento elettrico.

Il caricatore rapido viene utilizzato per batterie C.A. della AEG Systems SE36 da 3,6 V.

Utilizzare il prodotto solo per l'uso per cui è previsto.

BRANCHEMENT SECTEUR LA 036

Connettere solo corrente alternata mono fase e solo al sistema di voltaggio indicato sulla piastra. E' possibile anche connettere la presa senza un contatto di messa a terra così come prevede lo schema conforme alla norme di sicurezza di classe II.

DICHIARAZIONE DI CONFORMITÀ CE

Dichiariamo, assumendo la piena responsabilità di tale dichiarazione, che il prodotto è conforme alla seguenti normative e ai relativi documenti: EN 60745, EN 55014-1, EN 55014-2, EN 60335, EN 61000-3-2, EN 61000-3-3, EN 50 366 in base alle prescrizioni delle direttive CE98/37, 2006/95/CE, CE 2004/108



ISTRUZIONI D'USO

Non azionare l'interruttore per il cambio di velocità mai con macchina accesa, ma solo da ferma.

BATTERIE

Le batterie nuove raggiungono la loro piena capacità dopo 4-5 cicli di carica e scarica. Batterie non utilizzate per molto tempo devono essere ricaricate prima dell'uso.

A temperature superiori ai 50°C, la potenza della batteria si riduce.

Evitare di esporre l'accumulatore a surriscaldamento prolungato, dovuto ad esempio ai raggi del sole o ad un impianto di riscaldamento.

Note generali riguardanti le batterie NiMH: La capacità della batteria diminuisce quando la temperatura scende sotto i -10°C. La carica per lungo tempo a temperature superiori a +40°C può avere effetti negativi sulla capacità della batteria.

BREVE INDICAZIONE

Dopo aver inserito la batteria nel caricatore la batteria sarà automaticamente ricaricata (luce gialla di controllo sempre accesa).

Quando una batteria calda o fredda è inserita nel caricatore (luce rossa lampeggiante), la ricarica inizia automaticamente una volta che la batteria raggiunge la giusta temperatura di ricarica (NiCd/NiMH -5°C...50°C, Li-Ion 0°C...55°C).

Questa durata varia a seconda della temperatura della batteria, della quantità di carica necessaria e del tipo di batteria da caricare.

Non appena la ricarica è completata, il caricatore commuta la carica "in mantenimento" per garantire la piena capacità (luce verde di controllo sempre accesa).

Non è necessario rimuovere la batteria dopo la ricarica. La batteria può essere tenuta sempre nel caricatore senza pericolo di sovraccarico.

Se entrambi i LED lampeggiano, allora o l'accumulatore non è inserito completamente oppure si è verificato un guasto nell'accumulatore o nel carica-batterie. Per motivi di sicurezza, mettere immediatamente il carica-batterie e l'accumulatore fuori funzione e farli controllare da un punto di servizio assistenza AEG.

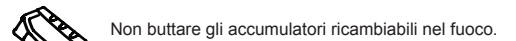
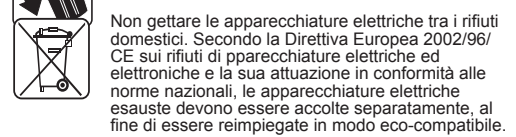
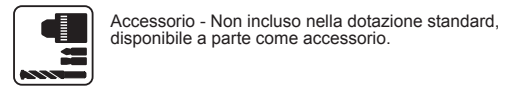
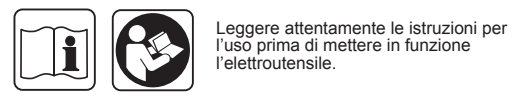
MANUTENZIONE

Quando il cavo di collegamento alla rete elettrica risulta danneggiato, questo deve essere immediatamente sostituito, solamente presso un centro assistenza AEG; per la sostituzione del cavo è necessario l'utilizzo di un utensile speciale.

Utilizzare esclusivamente accessori e pezzi di ricambio AEG. L'installazione di pezzi di ricambio non specificamente prescritti dall'AEG va preferibilmente effettuata dal servizio di assistenza clienti AEG (ved. opuscolo Garanzia/Indirizzi Assistenza tecnica).

In caso di mancanza del disegno esploso, può essere richiesto al seguente indirizzo: AEG Elektrowerzeuge, Max-Eyth-Straße 10, D-71364 Winnenden, Germany.

SIMBOLI



DATOS TÉCNICOS **SE 3.6** **LA 036**

Diámetro de taladrado en acero	3 mm
Diámetro de taladrado en madera	6 mm
Tornillos para madera (sin pretaladrar)	4,5 mm
Velocidad en vacío en primera marcha	200 min ⁻¹
Velocidad en vacío 2ª velocidad	600 min ⁻¹
Par	
Unión atornillada blanda *1	4,5 Nm
Unión atornillada dura *1	6,5 Nm
Capacidad de atornillado con una batería totalmente cargada (2,0 Ah): *2	
4x30 Madera blanda	140
Voltaje de batería	3,6 V
Peso con batería	0,575 kg

Información sobre ruidos / vibraciones

Determinación de los valores de medición según norma EN 60 745.
El nivel de ruido típico del aparato determinado con un filtro A corresponde a:

Presión acústica (K = 3 dB(A))	56 dB (A)
--------------------------------------	-----------

El nivel de ruido, con la máquina trabajando, podrá sobrepasar circunstancialmente 85 dB (A).

Usar protectores auditivos!

Nivel total de vibraciones (suma vectorial de tres direcciones) determinado según EN 60745.

Valor de vibraciones generadas ah	
Taladrado en metal	2,8 m/s ²
Tolerancia K	1,5 m/s ²
Tornillos	< 2,5 m/s ²
Tolerancia K	1,3 m/s ²

Gama de voltaje	3,6 V
Intensidad de carga rápida NiCd / NiMH / Li-Ion	1,8 A
Carga de mantenimiento	50-100 mA
Tiempo de carga NiCd 1,4 Ah	ca. 45 min
Tiempo de carga NiMH 2,0 Ah	ca. 65 min
Tiempo de carga Li-Ion 1,5 Ah	ca. 60 min
Peso sin cable	285 g

*1 Medido según norma AEG N 877318

*2 Los valores dados son valores de referencia (2ª velocidad). Los valores pueden variar dependiendo del material y calidad de los tornillos

ADVERTENCIA

El nivel vibratorio indicado en estas instrucciones ha sido medido conforme a un método de medición estandarizado en la norma EN 60745, y puede utilizarse para la comparación entre herramientas eléctricas. También es apropiado para una estimación provisional de la carga de vibración.

El nivel vibratorio indicado representa las aplicaciones principales de la herramienta eléctrica. Si, pese a ello, se utiliza la herramienta eléctrica para otras aplicaciones, con útiles adaptables diferentes o con un mantenimiento insuficiente, el nivel vibratorio puede diferir. Esto puede incrementar sensiblemente la carga de vibración durante todo el periodo de trabajo.

Para una estimación exacta de la carga de vibración deberían tenerse en cuenta también los tiempos durante los que el aparato está apagado o, pese a estar en funcionamiento, no está siendo realmente utilizado. Esto puede reducir sustancialmente la carga de vibración durante todo el periodo de trabajo.

Adopte medidas de seguridad adicionales para la protección del operador frente al efecto de las vibraciones, como por ejemplo: mantenimiento de la herramienta eléctrica y de los útiles adaptables, mantener las manos calientes, organización de los procesos de trabajo.

⚠ ADVERTENCIA! Rogamos leer las indicaciones de seguridad y las instrucciones, también las que contiene el folleto adjunto. En caso de no atenderse a las advertencias de peligro e instrucciones siguientes, ello puede ocasionar una descarga eléctrica, un incendio y/o lesión grave.
Guardar todas las advertencias de peligro e instrucciones para futuras consultas.

INSTRUCCIONES DE SEGURIDAD

Sujete el aparato de las superficies aisladas de agarre al efectuar trabajos en los cuales la perforadora de percusión pueda entrar en contacto con conductores de corriente ocultos o con el propio cable. El contacto con conductores portadores de tensión puede hacer que las partes metálicas del aparato le provoquen una descarga eléctrica.

¡Utilice protección auditiva! La exposición a niveles de ruido excesivos puede causar pérdida de audición

Para trabajar con la máquina, utilizar siempre gafas de protección, guantes, calzado de seguridad antideslizante, así como es recomendable usar protectores auditivos.

Nunca se debe intentar limpiar el polvo o viruta procedente del taladrado con la máquina en funcionamiento.

Para trabajar en paredes, techo o suelo, tenga cuidado para evitar los cables eléctricos y tuberías de gas o agua.

Retire la batería antes de comenzar cualquier trabajo en la máquina.

No tire las baterías usadas a la basura ni al fuego. Los Distribuidores AEG ofrecen un servicio de recogida de baterías antiguas para proteger el medio ambiente.

No almacene la batería con objetos metálicos (riesgo de cortocircuito).

Recargar solamente los acumuladores del Sistema SE36 en cargadores SE36. No intentar recargar acumuladores de otros sistemas.

En caso de sobrecarga o alta temperatura, pueden llegar a producirse escapes de ácido provenientes de la batería. En caso de contacto con éste, límpie inmediatamente la zona con agua y jabón. Si el contacto es en los ojos, límpiese concienzudamente con agua durante 10 minutos y acuda inmediatamente a un médico

Con el aparato de carga se pueden recargar los siguientes tipos de acumulador:

tensión	tipo	amperaje	no. de células
3,6 V	SB 3.6	≥ 1,4 Ah	3
3,6 V	SM 3.6	≥ 2,0 Ah	3
3,6 V	SL 3.6	≥ 1,5 Ah	1

No intente cargar baterías no-recargables con este cargador.

No introduzca en la cavidad del cargador objetos metálicos (riesgo de cortocircuito).

No abra nunca las baterías ni los cargadores y guárdelos sólo en lugares secos. Protéjalos de la humedad en todo momento.

No tocar con instrumentos o elementos conductores de la electricidad.

No intentar recargar acumuladores averiados, en esos casos retirarlos de inmediato del cargador.

Antes de empezar a trabajar compruebe si está dañada la máquina, el cable o el enchufe. Las reparaciones sólo se llevarán a cabo por Agentes de Servicio autorizados.

Este aparato no está destinado al uso por personas (incluso niños) con restringidas capacidades físicas, sensoricas o mentales o por la falta de experiencia y/o conocimientos, a no ser que se encuentren bajo el cuidado de una persona responsable por su seguridad o que hayan sido instruidas por éstas con respecto al empleo del aparato.

Los niños deberán encontrarse bajo vigilancia para garantizar que no jueguen con el aparato.

APLICACIÓN DE ACUERDO A LA FINALIDAD

El taladro/atornillador por acumulador está diseñado para trabajos de taladrado y atornillado para uso independiente lejos de suministro eléctrico.

El cargador rápido puede cargar baterías AEG System SE36 de 3,6 V

No utilice este producto para ninguna otra aplicación que no sea su uso normal.

CONEXIÓN ELÉCTRICA LA 036

Conectar solamente a corriente AC monofásica y sólo al voltaje indicado en la placa de características. También es posible la conexión a enchufes sin toma a tierra, dado que es conforme a la Clase de Seguridad II.

DECLARACION DE CONFORMIDAD CE

Declaramos bajo nuestra sola responsabilidad que este producto está en conformidad con las normas o documentos normalizados siguientes: EN 60745, EN 55014-1, EN 55014-2, EN 60335, EN 61000-3-2, EN 61000-3-3, EN 50 366 de acuerdo con las regulaciones 98/37/CE, 2006/95/CE, 2004/108/CE



Winnenden, 2009-05-19

Rainer Kumpf

Rainer Kumpf
Manager Product Development

SUGERENCIAS DE TRABAJO

No utilizar jamás el cambio de velocidades estando la máquina conectada, accionar únicamente al estar enterrado el funcionamiento.

BATERIA

Las baterías nuevas alcanzan su plena capacidad de carga después de 4 - 5 cargas y descargas. Las baterías no utilizadas durante cierto tiempo deben ser recargadas antes de usar.

Las temperaturas superiores a 50°C reducen el rendimiento de la batería. Evite una exposición excesiva a fuentes de calor o al sol (riesgo de sobrecalentamiento).

Los puntos de contacto de los cargadores y las baterías se deben mantener limpios.

Consejos generales sobre baterías de NiMH: Con temperaturas inferiores a -10°C se reduce la capacidad de las baterías.

Almacenajes prolongados a temperatura superiores a +40°C pueden provocar efectos negativos sobre la capacidad de las baterías.

SEÑALIZACIÓN

Al insertar la batería en el cargador se cargará de manera automática (el diodo amarillo se ilumina de manera continua)

Cuando se inserta en el cargador una batería demasiado fría o caliente (diodo roja intermitente), la carga se realizará de manera automática una vez que la batería alcance la

temperatura adecuada (NiCd/NiMH -5°C...50°C, Li-Ion 0°C...55°C).

El tiempo varía según la temperatura de la batería, la carga requerida, y el tipo de bloque de pilas secas que se esté cargando.

Al completarse la carga, el cargador automáticamente conectará a carga de mantenimiento para mantener la carga completa (el diodo verde se ilumina de manera continua)

No es necesario retirar la batería tras la carga. Se puede mantener en el cargador si riesgo de sobrecarga

Si los dos LED parpadean, entonces la batería no está completamente metida, o ésta o el cargador presentan algún defecto. Por razones de seguridad, apague inmediatamente el cargador y la batería y hágalos revisar en un centro AEG de servicio al cliente.

MANTENIMIENTO

Si se averiase el cable de conexión, deberá ser reparado en un Servicio Oficial de AEG, ya que es preciso utilizar herramientas especiales.

Solo se deben utilizar accesorios y piezas de repuestos AEG. Piezas cuyo recambio no está descrito en las instrucciones de uso, deben sustituirse en un centro de asistencia técnica AEG (Consulte el folleto Garantía/Direcciones de Centros de Asistencia Técnica).

En caso necesario, puede solicitar un despiece de la herramienta. Por favor indique el número de impreso de diez dígitos que hay en la etiqueta y pida el despiece a la siguiente dirección: AEG Elektrowerkzeuge, Max-Eyth-Straße 10, D-71364 Winnenden, Germany.

SÍMBOLOS



Lea las instrucciones detenidamente antes de conectar la herramienta



Accesorio - No incluido en el equipo estándar, disponible en la gama de accesorios.



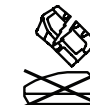
Retire la batería antes de comenzar cualquier trabajo en la máquina.



¡No deseches los aparatos eléctricos junto con los residuos domésticos! De conformidad con la Directiva Europea 2002/96/CE sobre residuos de aparatos eléctricos y electrónicos y su aplicación de acuerdo con la legislación nacional, las herramientas eléctricas cuya vida útil haya llegado a su fin se deberán recoger por separado y trasladar a una planta de reciclaje que cumpla con las exigencias ecológicas.



No eche al fuego baterías usadas.



No intentar recargar acumuladores averiados, en esos casos retirarlos de inmediato del cargador.

CARACTERÍSTICAS TÉCNICAS**SE 3.6****LA 036**

Ø de furo em aço	3 mm
Ø de furo em madeira	6 mm
Parafusos para madeira (sem furo prévio)	4,5 mm
Nº de rotações em vazio na 1.ª velocidade	200 min ⁻¹
Nº de rotações em vazio na 2ª velocidade	600 min ⁻¹
Binário	
Aparafusamento suave *1	4,5 Nm
Aparafusamento duro *1	6,5 Nm
Capacidade de aparafusar com um acumulador completamente carregado (2,0 Ah)*2	
4x30 Madeira macia	140
Tensão do acumulador	3,6 V
Peso com acumulador	0,575 kg

Informações sobre ruído/vibração

Valores de medida de acordo com EN 60 745.

O nível de ruído avaliado A do aparelho é tipicamente:

Nível da pressão de ruído (K=3 dB(A))..... 56 dB (A)

Onível de ruído a trabalhar pode exceder 85 dB (A).

Use protectores auriculares!

Valores totais de vibração (soma dos vectores das três direcções)

determinadas conforme EN 60745.

Valor de emissão de vibração ah

Furar em metal	2,8 m/s ²
Incerteza K	1,5 m/s ²
Parafusos	< 2,5 m/s ²
Incerteza K	1,3 m/s ²

Gama de tensões	3,6 V
Corrente de carga rápida NiCd / NiMH / Li-Ion	1,8 A
Carga de manutenção	50-100 mA
Tempos de carga NiCd 1,4 Ah	ca. 45 min
Tempos de carga NiMH 2,0 Ah	ca. 65 min
Tempos de carga Li-Ion 1,5 Ah	ca. 60 min
Peso sem cabo de ligação à rede	285 g

*1 Medido em conformidade com a AEG Norm N 877318

*2 Os valores indicados são valores aproximados (2ª velocidade). Os valores efectivos podem ser diferentes em função do material e da qualidade dos parafusos.

ATENÇÃO

O nível vibratório indicado nestas instruções foi medido em conformidade com um procedimento de medição normalizado na EN 60745 e pode ser utilizado para comparar entre si ferramentas eléctricas. O mesmo é também adequado para avaliar provisoriamente o esforço vibratório.

O nível vibratório indicado representa as principais aplicações da ferramenta eléctrica. Se, no entanto, a ferramenta eléctrica for utilizada para outras aplicações, com outras ferramentas adaptadas ou uma manutenção insuficiente, o nível vibratório poderá divergir. Isto pode aumentar consideravelmente o esforço vibratório ao longo de todo o período do trabalho.

Para uma avaliação exacta do esforço vibratório devem também ser considerados os tempos durante os quais o aparelho está desligado ou está a funcionar, mas não está efectivamente a ser utilizado. Isto pode reduzir consideravelmente o esforço vibratório ao longo de todo o período do trabalho.

Defina medidas de segurança suplementares para proteger o operador do efeito das vibrações, como por exemplo: manutenção da ferramenta eléctrica e das ferramentas adaptadas, manter as mãos quentes, organização das sequências de trabalho.

⚠ ATENÇÃO! Leia todas as instruções de segurança e todas as instruções, também aquelas que constam na brochura juntada. O desrespeito das advertências e instruções apresentadas abaixo pode causar choque eléctrico, incêndio e/ou graves lesões.

Guarde bem todas as advertências e instruções para futura referência.

INSTRUÇÕES DE SEGURANÇA

Segure o aparelho nas superfícies de punho isoladas se estiver a executar trabalhos, nos quais a ferramenta de corte pode tocar em linhas eléctricas escondidas ou no próprio cabo. O contacto com um cabo com tensão também põe as partes metálicas do aparelho sob tensão e leva a choque eléctrico.

Sempre use a protecção dos ouvidos. A influência de ruídos pode causar surdez.

Usar sempre óculos de protecção ao trabalhar com a máquina. Recomenda-se a utilização de luvas de protecção, protectores para os ouvidos e máscara anti-poeiras.

Não remover aparas ou lascas enquanto a máquina trabalha.

Ao trabalhar em paredes, tectos e soalhos prestar atenção a que não sejam atingidos cabos eléctricos e canalizações de gás e água.

Antes de efectuar qualquer intervenção na máquina retirar o bloco acumulador.

Não queimar acumuladores gastos nem deitá-los no lixo doméstico. A AEG possui uma eliminação de acumuladores gastos que respeita o meio ambiente.

Não guardar acumuladores junto com objectos metálicos (perigo de curto-circuito).

Use apenas carregadores do Sistema SE36 para recarregar os acumuladores do Sistema SE36. Não utilize acumuladores de outros sistemas.

Em caso de cargas ou temperaturas extremas, um acumulador de substituição danificado poderá verter líquido de bateria. Se entrar em contacto com este líquido, deverá lavar-se imediatamente com água e sabão. Em caso de contacto com os olhos, enxágue-os bem e de imediato durante pelo menos 10 minutos e consulte um médico o mais depressa possível.

Os seguintes acumuladores podem ser recarregados neste carregador:

Voltem	Acumulador	Capacidade do acumulador	No de elementos de pilha
3,6 V	SB 3.6	≥ 1,4 Ah	3
3,6 V	SM 3.6	≥ 2,0 Ah	3
3,6 V	SL 3.6	≥ 1,5 Ah	1

Na cavidade de inserção de acumuladores do carregador não devem penetrar nunca objectos metálicos (perigo de curto-circuito).

Não abra acumuladores e carregadores. Armazená-los em recipientes secos. Protegê-los contra humidade.

Carregadores só devem ser utilizados em recintos secos.

Não toque nestes pontos com objectos condutores.

Não volte a carregar um acumulador danificado. Substitua-o por uma unidade nova.

Antes de cada utilização inspecionar a máquina, o cabo de ligação a extensão e quanto a danos e desgaste. A máquina só deve ser reparada por um técnico especializado.

Este aparelho não destina-se a ser utilizado por pessoas (inclusive crianças) com capacidades físicas, sensoriais ou psíquicas limitadas ou a ser utilizado por pessoas que não tenham experiência e/ou conhecimentos, a não ser que estas pessoas sejam supervisionadas por uma pessoa responsável pela segurança que lhes dê instruções sobre a utilização do aparelho.

Crianças deverão ser supervisionadas para assegurar que não brinquem com o aparelho.

UTILIZAÇÃO AUTORIZADA

O berbequim aparafusador sem fio pode ser aplicado universalmente para furar e aparafusar sem necessidade de ligar a máquina à rede.

O carregador rápido carrega acumuladores AEG System SE36 de 3,6 V.

Não use este produto de outra maneira sem ser a normal para o qual foi concebido.

LIGAÇÃO À REDE LA 036

Só conectar à corrente alternada monofásica e só à tensão de rede indicada na placa de potência. A conexão às tomadas de rede sem contacto de segurança também é possível, pois trata-se duma construção da classe de protecção II.

DECLARAÇÃO DE CONFORMIDADE CE

Declaramos, sob nossa exclusiva responsabilidade, que este produto cumpre as seguintes normas ou documentos normativos: EN 60745, EN 55014-1, EN 55014-2, EN 60335, EN 61000-3-2, EN 61000-3-3, EN 50366 conforme as disposições das directivas 98/37/CE, 2006/95/CE, 2004/108/CE



Winnenden, 2009-05-19

Rainer Kumpf
Rainer Kumpf
Manager Product Development

SUGESTÕES PARA OPERAÇÃO

Nunca accionar o interruptor de velocidades com a máquina ligada, mas sempre com ela parada.

ACUMULADOR

Acumuladores novos atingem a sua plena capacidade após 4-5 ciclos de carga e descarga. Acumuladores não utilizados durante algum tempo devem ser recarregados antes da sua utilização.

Temperaturas acima de 50°C reduzem a capacidade do bloco acumulador. Evitar exposição prolongada ao sol ou a caloríferos.

Manter limpos os contactos eléctricos no carregador e no bloco acumulador.

Nota generalizada respeitante a baterias NiMH: A capacidade da bateria fica reduzida quando a temperatura ambiente for abaixo de -10°C. Armazenamento em longos períodos de tempo com temperatura ambiente superior a +40°C pode causar efeitos negativos na capacidade da bateria.

CARACTERÍSTICAS

Depois de pôr o acumulador recarregável na gaveta do carregador, ele recarrega automaticamente (LED amarelo aceso).

Se se puser no carregador um acumulador recarregável demasiado quente ou demasiado frio (LED vermelha a piscar), o processo de carregamento automático só começa depois de atingida a temperatura ideal para o carregamento (NiCd/NiMH -5°C...50°C, Li-Ion 0°C...55°C).

O tempo de carga varia dependendo da temperatura da bateria, da carga necessária, e do tipo de bateria a carregar.

Quando o acumulador está completamente carregado, o aparelho muda para o modo de carga de manutenção, para obter a máxima capacidade útil (LED verde aceso).

O acumulador não precisa de ser retirado do carregador depois do carregamento. O acumulador pode permanecer no carregador. Não há o perigo de sobrecarga e fica sempre operacional.

Se ambos os díodos luminosos piscam, então ou o acumulador não foi inserido completamente ou existe um erro no acumulador ou no carregador. Por motivos de segurança retirar imediatamente de funcionamento carregador e acumulador e deixar controlá-los num posto de assistência técnica da AEG.

MANUTENÇÃO

Se o cabo de ligação desta máquina estiver danificado, deve apenas ser substituído numa oficina indicada pelo fabricante, uma vez que são necessárias ferramentas especiais para esse propósito.

Utilizar unicamente acessórios e peças sobressalentes da AEG. Sempre que a substituição de um componente não tenha sido descrita nas instruções, será de toda a conveniência mandar executar esse trabalho a um Serviço de Assistência AEG (veja o folheto Garantia/Endereços de Serviços de Assistência).

A pedido e mediante indicação da referência de dez números que consta da chapa de características da máquina, pode requerer-se um desenho explosivo da ferramenta eléctrica a: AEG Elektrowerkzeuge, Max-Eyth-Straße 10, D-71364 Winnenden, Germany.

SYMBOLS

Leia atentamente o manual de instruções antes de colocar a máquina em funcionamento.



Acessório - Não incluído no equipamento normal, disponível como acessório.



Antes de efectuar qualquer intervenção na máquina retirar o bloco acumulador.



Não deite ferramentas eléctricas no lixo doméstico! De acordo com a directiva europeia 2002/96/CE sobre ferramentas eléctricas e electrónicas usadas e a transposição para as leis nacionais, as ferramentas eléctricas usadas devem ser recolhidas em separado e encaminhadas a uma instalação de reciclagem dos materiais ecológica.



Não jogue os acumuladores usados no fogo.



Não volte a carregar um acumulador danificado. Substitua-o por uma unidade nova.

TECHNISCHE GEGEVENS

SE 3.6

LA 036

Boor-Ø in staal.....	3 mm
Boor-Ø in hout.....	6 mm
Houtschroeven (zonder voorboren).....	4,5 mm
Onbelast toerental in stand 1.....	200 min ⁻¹
Onbelast toerental in 2e versnelling.....	600 min ⁻¹
Draaimoment	
zachte schroefval *1.....	4,5 Nm
harde schroefval *1.....	6,5 Nm
Schroefcapaciteit met 1 akku-lading (2,0 Ah): *2	
4x30 in zacht hout.....	140
Spanning wisselakku.....	3,6 V
Gewicht met wisselakku.....	0,575 kg

Geluids-/trillingsinformatie

Meetwaarden vastgesteld volgens EN 60 745.

Het kenmerkende A-gewogen geluidsniveau van de machine bedraagt:

Geluidsdruk niveau (K=3 dB(A)).....	56 dB (A)
Bij werken kan het geluidsniveau 85 dB (A) overschrijden.	

Draag oorbeschermers!

Totale trillingswaarden (vectorsom van drie richtingen) bepaald volgens EN 60745.

Trillingsemissiewaarde ah

Boren in metaal.....	2,8 m/s ²
Onzekerheid K.....	1,5 m/s ²
Schroeven.....	< 2,5 m/s ²
Onzekerheid K.....	1,3 m/s ²

Spanningsbereik.....	3,6 V
Laadstroom bij snelladen NiCd / NiMH / Li-Ion.....	1,8 A
Bewaarladen.....	50-100 mA
Laadtijd NiCd 1,4 Ah.....	ca. 45 min
Laadtijd NiMH 2,0 Ah.....	ca. 65 min
Laadtijd NiMH Li-Ion 1,5 Ah.....	ca. 60 min
Gewicht, zonder snoer.....	285 g

*1 Gemeten volgens de AEG norm N 877318

*2 De opgegeven waarden zijn richtwaarden (2e versnelling). De werkelijke waarden zijn afhankelijk van het te bewerken materiaal en de kwaliteit van de gebruikte schroeven.

WAARSCHUWING

De in deze aanwijzingen vermelde trillingsdruk is gemeten volgens een in EN 60745 genommerde meetmethode en kan worden gebruikt voor de onderlinge vergelijking van apparaten. Hij is ook geschikt voor een voorlopige inschatting van de trillingsbelasting.

De aangegeven trillingsdruk geldt voor de meest gebruikelijke toepassingen van het elektrische apparaat. Wanneer het elektrische gereedschap echter voor andere doeleinden, met andere dan de voorgeschreven hulpstukken gebruikt of niet naar behoren onderhouden wordt, kan de trillingsdruk afwijken. Dit kan de waarde van de trillingsdruk over de hele werkperiode aanzienlijk verhogen.

Voor een nauwkeurige inschatting van de trillingsdruk moeten ook de tijden in aanmerking worden genomen dat het apparaat uitgeschakeld is of weliswaar loopt, maar niet werkelijk in gebruik is. Dit kan de waarde van de trillingsdruk over de hele werkperiode aanzienlijk verminderen.

Bepaal extra veiligheidsmaatregelen ter bescherming van de bediener tegen de inwerking van trillingen, bijvoorbeeld: onderhoud van elektrische gereedschappen en apparaten, warmhouden van de handen, organisatie van de werkprocessen.

⚠ WAARSCHUWING! Lees alle veiligheidsinstructies en aanwijzingen door - ook die in de bijgeleverde brochure. Als de waarschuwingen en voorschriften niet worden opgevolgd, kan dit een elektrische schok, brand of ernstig letsel tot gevolg hebben.
Bewaar alle waarschuwingen en voorschriften voor toekomstig gebruik.

VEILIGHEIDSAADVIEZEN

Houd het apparaat alléén aan de geïsoleerde grijpvlakken vast, wanneer u werkzaamheden uitvoert waarbij het snijgereedschap verborgen stroomleidingen of de eigen apparaatkabel zou kunnen raken. Het contact met een onder spanning staande leiding zet ook de metalen machinedelen onder spanning en leidt tot een elektrische schok.

Draag oorbeschermers. Blootstelling aan geluid kan het gehoor beschadigen.

Bij het werken met de machine altijd een veiligheidsbril dragen. Werkhandschoenen en stofkapje voor de mond worden aanbevolen.

Spanen of splinters mogen bij draaiende machine niet worden verwijderd.

Bij het werken in wanden, plafonds of vloeren oppassen voor elektriciteitsdraden, gas- of waterleidingen.

Voor alle werkzaamheden aan de machine de akku verwijderen.

Verbruikte akku's niet in het vuur of bij het huisvuil werpen. AEG biedt namelijk een milieuvriendelijke recyclingmethode voor uw oude akku's.

Wisselakku's niet bij metalen voorwerpen bewaren (kortsluitingsgevaar!) .

Wisselakku's van het Akku-Systeem SE36 alléén met laadapparaten van het Akku-Systeem SE36 laden. Geen akku's van andere systemen laden.

Onder extreme belasting of extreme temperaturen kan uit de accu accu-vloeistof lopen. Na contact met accu-vloeistof direct afwassen met water en zeep. Bij oogcontact direct minstens 10 minuten grondig spoelen en onmiddellijk een arts raadplegen.

Met het laadapparaat kunnen de volgende wisselakku's worden gelade

Spanning	Type akku	Kapaciteit	Aantal cellen
3,6 V	SB 3.6	≥ 1,4 Ah	3
3,6 V	SM 3.6	≥ 2,0 Ah	3
3,6 V	SL 3.6	≥ 1,5 Ah	1

Met het laadapparaat mogen géén niet-oplaadbare akku's worden geladen.

In de wisselakku-opnameschacht van het laadapparaat mogen géén metaaldeeltjes komen (kortsluitingsgevaar!) .

Wisselakku's en laadapparaten niet openen en alleen in droge ruimtes opslaan. Tegen vocht beschermen.

Dus nooit stroomgeleidende voorwerpen in het apparaat steken.

Nooit beschadigde akku's opladen, deze direct vervangen.

Voor alle ombouw- of onderhoudswerkzaamheden, de stekker uit de wandkontaktdoos nemen.

Dit apparaat mag niet worden bediend door personen (inclusief kinderen) met beperkte fysieke, sensorische of geestige vermogens of met gebrek aan ervaring en/of kennis in de omgang met dit apparaat, tenzij ze door een voor hun veiligheid verantwoordelijke persoon begeleid worden of instructies van deze persoon hebben ontvangen over het gebruik van het apparaat.

Op kinderen dient toezicht te worden gehouden om te waarborgen dat ze niet met het apparaat spelen.

VOORGESCHREVEN GEBRUIK VAN HET SYSTEEM

De akku-boorschroefdraaier is te gebruiken voor boor- en schoefwerkzaamheden, onafhankelijk van een netaansluiting.

Het snellaadapparaat is geschikt voor het opladen van AEG wisselakku's van 3,6 Volt

Dit apparaat uitsluitend gebruiken voor normaal gebruik, zoals aangegeven.

NETAANSLUITING LA 036

Uitsluitend op éénfase-wisselstroom en uitsluitend op de op het typeplaatje aangegeven netspanning aansluiten. Aansluiting is ook mogelijk op een stekerdoos zonder aardcontact mogelijk, omdat het is ontworpen volgens veiligheidsklasse II.

EC - VERKLARING VAN OVEREENSTEMMING

Wij verklaren dat dit product voldoet aan de volgende normen of normatieve documenten: EN 60745, EN 55014-1, EN 55014-2, EN 60335, EN 61000-3-2, EN 61000-3-3, EN 50366, overeenkomstig de bepalingen van de richtlijnen 98/37/EG, 2006/95/EG, 89/336/EEG

CE 08

Rainer Kumpf
Manager Product Development

WERKRICHTLIJNEN

Bedien de versnellingschakelaar alléén wanneer de machine stilstaat en nooit wanneer de machine ingeschakeld is.

AKKU

Nieuwe wisselakku's bereiken hun volle capaciteit na 4-5 laad-/ontlaadcycli. Langere tijd niet toegepaste wisselakku's vóór gebruik altijd naladen.

Een temperatuur boven de 50°C vermindert de capaciteit van de accu. Langdurige verwarming door zon of hitte vermijden.

De aansluitcontacten aan het laadapparaat en de akku schoonhouden.

Algemene opmerking betreffende NiMH-accu's: De capaciteit van de accu wordt verlaagd wanneer de temperatuur onder -10°C komt. Langere tijd achtereen ongebruikt opslaan bij temperaturen boven +40°C kan negatieve effecten hebben op de capaciteit van de accu.

KENMERKEN

Nadat de accu in de schacht van de lader is gestoken, wordt de accu automatisch geladen (geel controlelampje licht continu op).

Wanneer een te warme of te koude accu in de lader wordt gestoken (rood lampje flikkert), wordt de accu automatisch geladen zodra hij de correcte laadtemperatuur heeft bereikt (NiCd/NiMH -5°C...50°C, Li-Ion 0°C...55°C).

De oplaadtijd varieert afhankelijk van de temperatuur van de batterij, de benodigde lading en het soort batterijpak dat wordt opgeladen.

Zodra de accu volledig is geladen, schakelt de lader op bewaarladen om de volledige accu-capaciteit te behouden (groen controlelampje licht continu op).

De accu hoeft na het laden niet uit de lader te worden gehaald. De accu kan desnoods continu in de lader blijven zonder risico van overladen.

Wanneer beide LED's knipperen, is de accu niet volledig opgeladen of heeft de accu of het laadtoestel een storing. Gebruik het laadtoestel en de accu in dit geval om veiligheidsredenen niet meer en laat beide controleren door een AEG-klantenservice.

ONDERHOUD

Wanneer de netaanluitleiding is beschadigd, mag het uitsluitend vervangen worden door een reparatie bedrijf aangewezen door de fabrikant, aangezien speciaal gereedschap nodig is.

Alleen AEG toebehoren en onderdelen gebruiken. Onderdelen welke niet vermeld worden, kunnen het beste door de AEG servicedienst verwisseld worden (zie Serviceadressen).

Onder vermelding van het tiencijferige nummer op het machineplaatje is desgevoegd een doorsnedetekening van de machine verkrijgbaar bij: AEG Elektrowerkzeuge, Max-Eyth-Straße 10, D-71364 Winnenden, Germany.

SYMBOLEN



Graag instructies zorgvuldig doorlezen vóórdat u de machine in gebruik neemt.



Toebehoren - Wordt niet meegeleverd. Is apart leverbaar. Zie hiervoor het toebehorenprogramma.



Voor alle werkzaamheden aan de machine de akku verwijderen.



Geef elektrisch gereedschap niet met het huisvuil mee! Volgens de Europese richtlijn 2002/96/EG inzake oude elektrische en elektronische apparaten en de toepassing daarvan binnen de nationale wetgeving, dient gebruikt elektrisch gereedschap gescheiden te worden ingezameld en te worden afgevoerd naar een recycle bedrijf dat voldoet aan de geldende milieu-eisen.



Accu's nimmer in vuur werpen.



Nooit beschadigde akku's opladen, deze direct vervangen.

TEKNISKE DATA	SE 3.6	LA 036
Bor-ø i stål	3 mm	
Bor-ø i træ	6 mm	
Træskruer (uden forboring)	4,5 mm	
Omdrejningstal, ubelastet i 1. gear	200 min ⁻¹	
Omdrejningstal, ubelastet i 2. gear	600 min ⁻¹	
Drejningsmoment		
blødt skruefeld *1	4,5 Nm	
hårdt skruefeld *1	6,5 Nm	
Skrukekapacitet på en opladning (2,0 Ah): *2		
4x30 Træ	140	
Udskiftningsbatteriets spænding	3,6 V	
Vægt med udskiftningsbatteri	0,575 kg	

Støj/Vibrationsinformation

Måleværdier beregnes iht. EN 60 745.

Værktøjets A-vurderede støjniveau er typisk:

 Lydtrykniveau (K=3 dB(A))

 Under arbejde med værktøjet kan lydniveauet overstige 85 dB (A).

Brug høreværn!

Samlede vibrationsværdier (værdisum for tre retninger) beregnet iht. EN 60745.

Vibrationseksposering ah

Boring i metal	2,8 m/s ²
Usikkerhed K	1,5 m/s ²
Skruing	< 2,5 m/s ²
Usikkerhed K	1,3 m/s ²

Spændevide	3,6 V
Ladestrøm, lynopladning NiCd / NiMH / Li-Ion	1,8 A
Vedligeholdelsesladning	50-100 mA
Opladningstid NiCd 1,4 Ah	ca. 45 min
Opladningstid NiMH 2,0 Ah	ca. 65 min
Opladningstid Li-Ion 1,5 Ah	ca. 60 min
Vægt uden netledning	285 g

*1 Målt i.h.t. AEG Norm N 877318

*2 De angivne værdier er vejledende (2. gear). De faktiske værdier kan afvige fra disse værdier, afhængigt af materiale og skruke kvalitet.

ADVARSEL

Svingningsniveauet, som er angivet i disse anvisninger, er målt i henhold til standardiseret måleprocedure ifølge EN 60745 og kan anvendes til indbyrdes sammenligning mellem el-værktøjer. Svingningsniveauet er ligeledes egnet som foreløbigt skøn over svingningsbelastningen.

Det angivne svingningsniveau er baseret på el-værktøjets primære anvendelsesformål. Hvis el-værktøjet benyttes til andre formål, med andet indsatsværktøj eller ikke vedligeholdes tilstrækkeligt, kan svingningsniveauet afvige. Dette kan øge svingningsbelastningen over den samlede arbejdsperiode betydeligt.

For en nøjagtig vurdering af svingningsbelastningen skal der også tages højde for de tidsperioder, hvor apparatet er slukket, eller hvor apparatet kører, men uden at være i anvendelse. Dette kan reducere svingningsbelastningen over den samlede arbejdsperiode betydeligt.

Supplerende sikkerhedsforanstaltninger til beskyttelse af brugeren mod påvirkninger fra svingninger skal iværksættes, f.eks.: Vedligeholdelse af el-værktøj og indsatsværktøj, varmholdelse af hænder, organisering af arbejdsprocesser.

⚠ ADVARSEL! Læs alle sikkerhedsanvisninger og øvrige vejledninger, også i den vedlagte brochure. I tilfælde af manglende overholdelse af advarselshenvisningerne og instrukserne er der risiko for elektrisk stød, brand og/eller alvorlige kvæstelser. **Opbevar alle advarselshenvisninger og instrukser til senere brug.**

SIKKERHEDSHENVISNINGER

Hold maskinen fast i de isolerede gribeblader, når du udfører arbejde, hvor der er risiko for, at skæreværktøjet kan ramme skjulte strømledninger eller værktøjets egen ledning. Ved kontakt med en strømførende ledning står metaldelene på maskinen også under spænding og giver et elektrisk stød.

Bær høreværn. Støjpåvirkning kan bevirke tab af hørelse.

Når der arbejdes med maskinen, skal man have beskyttelsesbriller på. Beskyttelseshandsker, skridsikre sko, høreværn og forklæde anbefales.

Spåner eller splinter må ikke fjernes, medens maskinen kører.

Ved arbejdsboring i væg, loft eller gulv skal man passe på elektriske kabler, gas- og vandledninger.

Ved arbejde inden i maskinen, bør batteriet tages ud.

Opbrugte udskiftningsbatterier må ikke brændes eller kasseres sammen med alm. husholdningsaffald. AEG har en miljørigtig

bortskaffelse af gamle udskiftningsbatterier, henvend Dem til Deres forhandler.

Opbevar ikke udskiftningsbatterier sammen med metalgenstande af fare for kortslutning.

Brug kun SE36 ladeapparater for opladning af System SE36 batterier.

I tilfælde af en ekstrem belastning eller ekstrem temperatur kan der flyde batterivæske ud af et beskadiget batteri. Hvis De kommer i berøring med batterivæsken, skal den vaskes godt og grundigt af med vand og sæbe. I tilfælde af øjenkontakt, skal man mindst skylle øjnene godt og grundigt igennem i 10 minutter og omgående opsøge en læge.

Følgende typer batterier kan oplades

Spænding	Batteri type	Kapacitet	Antal celler
3,6 V	SB 3.6	≥ 1,4 Ah	3
3,6 V	SM 3.6	≥ 2,0 Ah	3
3,6 V	SL 3.6	≥ 1,5 Ah	1

Laderen må ikke anvendes til batterier, der ikke er genopladelige.

Metaldelle o.lign. må ikke komme i berøring med rummet beregnet for udskiftningsbatteriet (kortslutningsfare).

Udskiftningsbatterier og opladere må ikke åbnes og skal opbevares i tørre rum. Beskyt dem mod fugtighed.

Metaldelle o.lign. må ikke komme i berøring med disse (kortslutningsfare).

Beskadiget batterier må ikke oplades, men skal omgående udskiftes.

Kontroller hvergang, før laderen anvendes, at tilslutningskabel, forlængerkabel og stik er i orden. Dele der er beskadiget bør kun repareres hos et autoriseret værksted.

Produktet må ikke betjenes af personer (børn inklusive), som af fysiske eller psykiske årsager ikke er i stand til at arbejde sikkert med værktøjet, eller som ikke er i besiddelse af den nødvendige erfaring eller viden, med mindre dette sker under opsyn og løbende instruktion fra en erfaren bruger.

Pas på, at børn ikke bruger værktøjet som legetøj.

TILTÆNKT FORMÅL

Akku bore-/skruemaskinen kan bruges universelt til boring og skruing uafhængigt af en nettislutning.

Lynopladeren oplader udskiftningsbatterier (System SE36) fra 3,6 V.

Produktet må ikke anvendes på anden måde og til andre formål end foreskrevet.

NETTILSLUTNING LA 036

Tilslutning må kun foretages til enfasnet vekselstrøm og kun til en netspænding, som er i overensstemmelse med angivelsen på mærkepladen. Tilslutning kan også ske til stikdåser uden beskyttelseskontakt, da kapslingsklasse II foreligger.

CE-KONFORMITETSERKLÆRING

Vi erklærer under almindeligt ansvar, at dette produkt er i overensstemmelse med følgende normer eller norma-tive dokumenter: EN 60745, EN 55014-1, EN 55014-2, EN 60335, EN 61000-3-2, EN 61000-3-3, EN 50366, i henhold til bestemmelserne i direktiverne 98/37/EF, 2006/95/EØF, 2004/108/EF



Winnenden, 2009-05-19

Rainer Kumpf

Rainer Kumpf
Manager Product Development

ARBEJDS-VEJLEDNING

Gearskifte må ikke aktiveres, når maskinen er tændt - maskinen skal være slukket.

BATTERI

Nye udskiftningsbatterier opnår deres fulde kapacitet efter 4-5 oplade- og afladecykler. Udskiftningsbatterier, der ikke har været brugt i længere tid, efterlades inden brug.

Ved temperaturer over 50°C formindskes batteriets effekt. Undgå direkte sollys og stærk varme.

Tilslutningskontakterne på oplader og udskiftningsbatterier skal holdes rene.

Almindelige forskrifter til NiMH-akkumulatorer: Kapaciteten er begrænset ved temperaturer under -10°C. Langtidslagring ved temperaturer over +40°C kan påvirke akkumulatorens kapacitet negativt.

BESKRIVELSE

Når batteriet er blevet sat ind i skakten på ladeaggregatet, lades batteriet automatisk (gul kontrollampe lyser konstant).

Hvis batteriet er for varmt eller for koldt, når det sættes i ladeaggregatet, (rød kontrollampe blinker), starter opladningen automatisk, når batteriet har nået den korrekte opladningstemperatur (NiCd/NiMH -5°C...50°C, Li-Ion 0°C...55°C).

Ladetiden svinger alt efter batteriets temperatur, hvor meget det skal oplades, og hvilken batteritype der er tale om.

Når batteriet er helt opladet, skifter ladeaggregatet til vedligeholdelsesladning for at bibeholde maks. batterikapacitet (grøn kontrollampe lyser konstant).

Det er ikke nødvendigt at tage batteriet ud af ladeaggregatet efter opladningen. Batteriet kan blive siddende i ladeaggregatet. Det er således altid klar til brug og kan ikke overoplades.

Blinker begge LED'er, er det enten fordi, at batteriet ikke er skubbet helt op, eller fordi der foreligger fejl på batteriet eller ladeadapteren. Ladeadapter og batteri skal af sikkerhedsgrunde omgående tages ud af drift og indleveres til eftersyn hos AEG-kundeservice.

VEDLIGEHOLDELSE

Såfremt nettislutningen er defekt, må denne kun udskiftes af et autoriseret serviceværksted, idet der kræves specielt værktøj dertil.

Brug kun AEG tilbehør og reservedele. Lad de komponenter, hvis udskiftning ikke er blevet beskrevet, udskifte hos AEG service (se kundeserviceadresser).

Ved opgivelse af type nr. der er angivet på maskinens effektskilt, kan De rekvirere en reservedelstegning, ved henvendelse til: AEG Elektrowerkzeuge, Max-Eyth-Straße 10, D-71364 Winnenden, Germany.

SYMBOLER



Læs brugsanvisningen nøje før ibrugtagning.



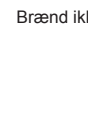
Tilbehør - Ikke inkluderet i leveringsomfanget, køb købes som tilbehør.



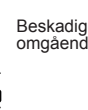
Ved arbejde inden i maskinen, bør batteriet tages ud.



Elværktøj må ikke bortskaffes som almindeligt affald! I henhold til det europæiske direktiv 2002/96/EF om bortskaffelse af elektriske og elektroniske produkter og gældende national lovgivning skal brugt værktøj indsamles separat og bortskaffes på en måde, der skåner miljøet mest muligt.



Brænd ikke batterienheder af.



Beskadiget batterier må ikke oplades, men skal omgående udskiftes.

TEKNISKE DATA **SE 3.6** **LA 036**

Bor-ø i stål	3 mm
Bor-ø i treverk	6 mm
Treskruer (uten forboring).....	4,5 mm
Tomgangsturtall i 1. gir	200 min ⁻¹
Tomgangsturtall i 2. gir	600 min ⁻¹
Dreiemoment	
Myk skruing (tre) *1	4,5 Nm
Hard skruing (stål) *1.....	6,5 Nm
Skrukekapasitet med 1 batterilading (2,0 Ah) *2	
4x30 i mykt treverk	140
Spenning vekselbatteri	3,6 V
Vekt med vekselbatteri	0,575 kg

Støy/Vibrasjonsinformasjon

Måleverdier fastslått i samsvar med EN 60 745.
 Det typiske A-bedømte støynivået for maskinen er:
 Lydtryknivå (K = 3 dB(A))..... 56 dB (A)
 Støynivået under arbeidet kan overskride 85 dB (A).

Bruk hørselsvern!

Totale svingningsverdier (vektorsum fra tre retninger) beregnet jf. EN 60745.

Svingningsemissjonsverdi ah	
Boring i metall.....	2,8 m/s ²
Usikkerhet K	1,5 m/s ²
Skruing	< 2,5 m/s ²
Usikkerhet K	1,3 m/s ²

Spenningsområde	3,6 V
Ladestrøm hurtiglading NiCd / NiMH / Li-Ion.....	1,8 A
Bevaringslading	50-100 mA
Ladetid NiCd 1,4 Ah.....	ca. 45 min
Ladetid NiMH 2,0 Ah.....	ca. 65 min
Ladetid NiMH Li-Ion 1,5 Ah.....	ca. 60 min
Vekt uten nettkabel.....	285 g

*1 Målt etter AEG standard N 877318

*2 De angitte verdiene er veiledende (2. gir). De faktiske verdiene kan avvike fra dette, avhengig av materiale og skrukevalitet.

ADVARSEL

Svingningsnivået som er angitt i denne instruksjonen er målt i overensstemmelse med målemetoden normert i direktiv EN 60745 og kan brukes til å sammenligne elektromaskiner med hverandre. Den egner seg også for en foreløbig vurdering av svingningsbelastningen.

Det angitte svingningsnivået representerer de hovedsaklige bruk av elektroverktøyet. Men anvendes elektroverktøyet for andre bruk med avvikende utskiftbare verktøy eller vedlikeholdet er utilstrekkelig, kan svingningsnivået være avvikende.

Dette kan forhøye svingningsbelastning betydelig over hele arbeidsperioden. For en nøyaktig vurdering av svingningsbelastningen må også det tas hensyn til tiden apparatet er avslått eller står på, men ikke er i bruk. Dette kan redusere svingningsbelastningen betydelig over hele arbeidsperioden.

Innfør også ekstra sikkerhetstiltak for å beskytte bruker mot utvirkingen av svingningene. Disse kan f.eks. være: vedlikehold av elektroverktøyet og det utskiftbare verktøyet, holde hendene varme, organisasjon av arbeidsforløpet.

⚠ ADVARSEL! Les alle sikkerhetsinstruksjoner og bruksanvisninger, også de i den vedlagte brosjyren. Feil ved overholdelsen av advarslene og nedenstående anvisninger kan medføre elektriske støt, brann og/eller alvorlige skader.
Ta godt vare på alle advarslene og informasjonene.

SPESIELLE SIKKERHETSHENVISNINGER

Hold apparatet i de isolerte holdeflatene, når det arbeides på steder hvor elektroverktøyet kan treffe skjulte strømløsningskabler. Kontakt med en spenningsførende ledning setter også maskinens metalldele under spenning og fører til elektriske støt.

Bruk hørselsvern. Støy kan føre til tap av hørselen

Bruk alltid vernebrille når du arbeider med maskinen. Det anbefales å bruke arbeidshansker, faste og sklisikre sko og forkle.

Spon eller fliser må ikke fjernes mens maskinen er i gang.

Pass på kabler, gass- og vannledninger når du arbeider i vegger, tak eller gulv.

Støvet som oppstår ved arbeidet er ofte helsefarlig og skal ikke komme i kontakt med kroppen. Bruk derfor verneemaske som er egnet for støv.

Ta ut vekselbatteriet før du arbeider på maskinen

Ikke kast brukte vekselbatterier i varmen eller husholdningsavfallet. AEG tilbyr en miljøriktig deponering av gamle vekselbatterier; vennligst spør din fagforhandler.

Ikke oppbevar vekselbatterier sammen med metallgjenstander (kortslutningsfare).

Vekselbatterier av systemet SE36 skal kun lades med lader av systemet SE36. Ikke lad opp batterier fra andre systemer.

Under ekstreme belastninger og ekstreme temperaturer kan det løkke ut batterivæske fra utskiftbare batterier. Ved berøring med batterivæske, vask umiddelbart med såpe og vann. Ved kontakt med øynene må øynene skylles grundig i rennende vann i minst 10 minutter. Oppsøk lege umiddelbart.

Følgende vekselbatterier kan lades opp med laderen:

Spenning	Batterityp	Nominell kapasitet	Antall celler
3,6 V	SB 3.6	≥ 1,4 Ah	3
3,6 V	SM 3.6	≥ 2,0 Ah	3
3,6 V	SL 3.6	≥ 1,5 Ah	1

Batterier som ikke kan lades opp må ikke lades med laderen.

Metalldeleler må ikke komme inn i innskyvningssjakten for vekselbatterier på ladere (kortslutningsfare).

Ikke åpne vekselbatterier og ladere, de skal oppbevares i tørre rom. Beskyttes mot fuktighet.

Ikke grip inn i apparatet med strømledende gjenstander.

Ikke lad opp skadete vekselbatterier, men skift dem ut straks.

Kontroller apparat, tilkopplingsledning, akkupack skjøteledning og støpsel for skader og aldning før bruk. La en fagmann reparere skadete deler.

Dette apparatet er ikke beregnet til bruk av personer (også barn) med innskrenket fysiske, sensoriske eller psykiske evner. Heller ikke av personer med manglende erfaring eller viten om apparatet, dersom ikke de er under oppsyn av en kompetent person som har ansvar for deres sikkerhet eller gir instruksjoner om hvordan apparatet skal brukes.
 Barn må være under oppsyn slik at man kan være sikker på, at de ikke leker med apparatet.

FORMALSMESSIG BRUK

Batteri-boreskrutrekkeren kan brukes universalt for boring og skruing uavhengig av nettikopling.

Hurtigladeren lader opp AEG-vekselbatterier av systemet SE36 fra 3,6 V.

Dette apparatet må kun brukes til de oppgitte formål.

NETTILKOPLING LA 036

Skal bare tilsluttes enfasevekselstrøm og bare til den på skiltet angitte nettspenning. Tilslutning til stikkontakter uten jordet kontakt er mulig fordi beskyttelse beskyttelsesklasse II er forhanden.

CE-SAMSVARERKLÆRING

Vi erklærer på eget ansvar at dette produktet stemmer overens med de følgende normer eller normative dokumenter: EN 60745, EN 55014-1, EN 55014-2, EN 60335, EN 61000-3-2, EN 61000-3-3, EN 50 366, i henhold til bestemmelsene i direktivene 98/37/EF, 2006/95/EØF, 2004/108/EF



Winnenden, 2009-05-19



Rainer Kumpf
 Manager Product Development

ARBEIDSHENVISNINGER

Girstangen skal aldri betjenes, når maskinen er påslått. Den skal bare betjenes, når maskinen er i stillstand.

BATTERIER

Nye vekselbatterier når sin fulle kapasitet etter 4-5 lade- og utladesykler. Vekselbatterier som ikke er brukt over lengre tid skal etterlades før bruk.

En temperatur over 50°C reduserer vekselbatteriets kapasitet. Unngå oppvarming i sol eller ved varmeovner (fyring) i lengre tid.

Hold tilkopplingskontaktene på lader og vekselbatteri rene.

Generelle henvisninger om NiMH-batterier:

Kapasiteten er begrenset ved temperaturer under -10°C. Oppbevaringer over lang tid ved temperaturer over +40°C kan ha negativ påvirkning på batteriets kapasitet.

KJENNETEGN

Etter at vekselbatteriet er stukket inn i sjakten på laderen blir vekselbatteriet automatisk ladet opp (gul lampe lyser kontinuerlig).

Hvis et for varmt eller for kaldt vekselbatteri blir satt inn i laderen (rød lampe blinker), begynner ladeprosessen automatisk så snart batteriet har nådd den riktige ladetemperaturen (NiCd/NiMH -5°C...50°C, Li-Ion 0°C...55°C).

Ladetiden kan variere alt etter batteritemperatur, nødvendig lademengde og batterikapasitet.

Når vekselbatteriet er fullstendig oppladet, kobler apparatet om til vedlikeholdslading for å oppnå størst mulig nyttbar batterikapasitet (grønne lampe lyser kontinuerlig).

Vekselbatteriet må ikke tas ut av laderen etter oppladingen. Vekselbatteriet kan bli stående i laderen. Det kan ikke bli ladet opp for mye og er dermed alltid klart til bruk.

Blinker begge lysdiodene, så er batteriet enten ikke helt riktig skyvet på eller der er feil på batteriet eller laderen. Av sikkerhetsgrunner skal laderen og batteriet tas ut av drift med en gang og kontrolleres av en AEG Kundeservice.

VEDLIKEHOLD

Når nettledningen er skadet må den skiftes ut av kundeservice for AEG, fordi det er nødvendig med spesialverktøy.

Bruk kun AEG tilbehør og reservedeler. Komponenter der utskifting ikke er beskrevet skal skiftes ut hos AEG kundeservice (se brosjyre garanti/kundeserviceadresser).

Ved behov kan du be om en eksplosjonstegning av apparatet hos din kundeservice eller direkte hos AEG Elektrowerkzeuge, Max-Eyth-Straße 10, D-71364 Winnenden, Germany. Oppgi maskintype og det tilsirete nummeret på typeskiltet.

SYMBOLER



Les nøye gjennom bruksanvisningen før maskinen tas i bruk.



Tilbehør - inngår ikke i leveransen, anbefalt komplettering fra tilbehørsprogrammet.



Ta ut vekselbatteriet før du arbeider på maskinen



Kast aldri elektroverktøy i husholdningsavfallet! I henhold til EU-direktiv 2002/96/EF om kasserte elektriske og elektroniske produkter og direktivets ivksetning i nasjonal rett, må elektroverktøy som ikke lenger skal brukes, samles separat og returneres til et miljøvennlig gjenvinningsanlegg.



Brenn aldri opp oppladbare batteri.



Ikke lad opp skadete vekselbatterier, men skift dem ut straks.

TEKNISKA DATA **SE 3.6** **LA 036**

Borrdiam. in stål.....	3 mm
Borrdiam. in trä.....	6 mm
Tråskruvning (utan förborring).....	4,5 mm
Obelastat varvtal 1:a växel.....	200 min ⁻¹
Obelastat varvtal 2:a växel.....	600 min ⁻¹
Vridmoment	
Mjuk gängstigning *1.....	4,5 Nm
Hård gängstigning *1.....	6,5 Nm
Skruvkapacitet med 1 uppladdning (2,0 Ah): *2	
4x30 Mjukt trä.....	140
Batterispänning.....	3,6 V
Vikt med batteri.....	0,575 kg

Buller-/vibrationsinformation

Mätvärdena har tagits fram baserade på EN 60 745.
 A-värdet av maskinens ljudnivå utgör:
 Ljudtrycksnivå (K=3dB(A))..... 56 dB (A)
 Ljudnivån vid arbete kan överskrida 85 dB (A).

Använd hörselskydd!

Totala vibrationsvärden (vektorsumma ur tre riktningar) framtaget enligt EN 60745.

Borring i metall.....	2,8 m/s ²
Onoggrannhet K.....	1,5 m/s ²
Skruvning.....	< 2,5 m/s ²
Onoggrannhet K.....	1,3 m/s ²

Spänningsområde.....	3,6 V
Laddningsström snabbbladdning NiCd / NiMH / Li-Ion.....	1,8 A
Underhållsladdning.....	50-100 mA
Laddningstid NiCd 1,4 Ah.....	ca. 45 min
Laddningstid NiMH 2,0 Ah.....	ca. 65 min
Laddningstid Li-Ion 1,5 Ah.....	ca. 60 min
Vikt utan nätkabel.....	285 g

*1 Uppmätt enligt AEG norm N 877318

*2 De angivna värdena är riktvärden (2:a växel). De faktiska värdena kan avvika beroende på material och skruvgods.

VARNING

Den i de här anvisningarna angivna vibrationsnivån har uppmätts enligt ett i EN 60745 normerat mätförfarande och kan användas vid jämförelse mellan olika elverktyg. Nivån är även lämplig att använda vid en preliminär bedömning av vibrationsbelastningen.

Den angivna vibrationsnivån representerar den huvudsakliga användningen av det aktuella elverktyget. Men om elverktyget ska användas i andra användningsområden, tillsammans med avvikande insatsverktyg eller efter otillräckligt underhåll, kan vibrationsnivån skilja sig. Det kan öka vibrationsbelastningen betydligt under hela arbetstiden.

För att få en exaktare bedömning av vibrationsbelastningen ska även den tid beaktas, under vilken elverktyget är avstängt eller är påslaget, utan att det verkligen används. Det kan reducera vibrationsbelastningen betydligt under hela arbetstiden.

Lägg som skydd för användaren fast extra säkerhetsåtgärder mot vibrationernas verkan, som till exempel: underhåll av elverktyg och insatsverktyg, varmhållning av händer och organisering av arbetsförlöpp.

⚠ VARNING! Läs alla säkerhetsanvisningar och andra tillhörande anvisningar, även de i den medföljande broschyren. Fel som uppstår till följd av att anvisningarna nedan inte följts kan orsaka elstöt, brand och/eller allvarliga kroppsskador.
Förvara alla varningar och anvisningar för framtida bruk.

SÄKERHETSUTRUSTNING

Håll fast apparaten med hjälp av de isolerade greppytorna när du utför arbeten där arbetsverktyget skulle kunna träffa på dolda elledningar eller kablar. Om sägen kommer i kontakt med en spänningsförande ledning sätts sägens metalldelar under spänning som sedan kan leda till elektriskt slag.

Bär hörselskydd. Bullerbelastning kan orsaka hörselskador. Använd alltid skyddsglasögon, skyddshandskar och hörselskydd.

Avlägsna aldrig spån eller flisor när maskinen är igång.

Vid arbetenborring i vägg, tak eller golv, var alltid observant på befintliga el-, gas- eller vattenledningar.

Drag ur batteripaket innan arbete utföres på maskinen.

Kasta inte förbrukade batterier. Lämna dem till AEG Tools för återvinning.

Förvara ej batteriet ihop med metallföremål, kortslutning kan uppstå.

System SE36 batterier laddas endast i System SE36 laddare. Ladda inte batterier från andra system.

Under extrem belastning eller extrem temperatur kan batterivätska tränga ut ur skadade utbytesbatterier. Vid beröring med batterivätska tvätta genast av med vatten och tvål. Vid ögonkontakt spola genast i minst 10 minuter och kontakta genast läkare.

Med denna laddare kan följande batterier laddas

Spänning	Typ	Kapacitet	Antal Celler
3,6 V	SB 3.6	≥ 1,4 Ah	3
3,6 V	SM 3.6	≥ 2,0 Ah	3
3,6 V	SL 3.6	≥ 1,5 Ah	1

Ej uppladdningsbara batterier får inte laddas i detta laddningsaggregat.

Se upp så att inga metallföremål hamnar i laddarens batterischakt, kortslutning kan uppstå.

Batterier lagras torrt och skyddas för fukt.

Den får inte vidröras med strömförande föremål.

Byt alltid ut skadade batterier omedelbart.

Bryt alltid strömmen vid ombyggnads- och servicearbeten.

Den här apparaten är avsedd för personer (även barn) med begränsad fysisk, sensorisk eller mental förmåga, bristande erfarenhet och/eller bristande kunskap. Förutsättningen är att det finns en person som ansvarar för säkerheten eller har gett anvisningar om hur apparaten ska användas.

Se till att barn inte leker med apparaten.

ANVÄND MASKINEN ENLIGT ANVISNINGARNA

Denna Akkumaskin är användbar för både borring och skruvning.

Laddaren laddar AEG-batterier System SE36 från 3,6 V, och har följande fördelar.

Maskinen får endast användas för angiven tillämpning.

NÄTANSLUTNING LA 036

Får endast anslutas till 1-fas växelström och till den spänning som anges på dataskylten. Anslutning kan även ske till eluttag utan skyddskontakt, eftersom konstruktionen motsvarar skyddsklass II.

CE-FÖRSÄKRAN

Vi intygar och ansvarar för, att denna produkt överensstämmer med följande norm och dokument: EN 60745, EN 55014-1, EN 55014-2, EN 60335, EN 61000-3-2, EN 61000-3-3, EN 50 366, enl. bestämmelser och riktlinjerna 98/37/EG, 2006/95/EG, 2004/108/EG



Winnenden, 2009-05-19



Rainer Kumpf
 Manager Product Development

HANTERINGSS-ANVISNING

Växelmkopplaren får inte manövreras när verktyget är påslaget, utan endast i avstängt läge.

BATTERIER

Nya batterier uppnår max effekt efter 4-5 laddningscykler. Batteri som ej använts på länge måste laddas före nytt bruk.

En temperatur över 50°C reducerar batteriets effekt. Undvik längre uppvärmning tex i solen eller nära ett element.

Se till att anslutningskontakterna i laddaren och på batteriet är rena.

Allmänt ang. NiMH batterier:

Batteriets kapacitet reduceras när temperaturen går under -10°C. Långvarig förvaring vid temperaturer över +40°C kan påverka batteriets kapacitet negativt.

KÄNNEMÄRKE

När du satt i batteriet i facket på laddaren, så påbörjas laddningen omedelbart (gul kontrollampa lyser med fast sken)

Om du sätter i ett kallt eller varmt batteri i laddaren (blinkande röd kontrollampa), så påbörjas laddningen så snart batteriet fått rätt temperatur (NiCd/NiMh -5°C...50°C, Li-Ion 0°C...55°C).

Laddningstiden varierar beroende på batteriets temperatur, laddningsbehov och vilken typ av batteri som laddas.

Så fort uppladdningen är klar, kopplar laddaren över till "lagringsladdning" för att bibehålla laddningen (grön kontrollampa lyser med fast sken)

Du behöver inte flytta batteriet efter laddning. Batteriet kan förvaras permanent i laddaren utan risk för överladdning .

Blinkar båda lysdioderna, har batteriet antingen inte skjutits på helt eller också föreligger det ett fel på batteriet eller laddaren. Ta då laddaren och batteriet genast ur drift av säkerhetsskäl och låt en AEG-serviceverkstad kontrollera dem.

SKÖTSEL

Vid skador på kabeln, måste detta utföras av en AEG serviceverkstad, då det erforderas specialverktyg för bytet.

Använd endast AEG tillbehör och reservdelar. Reservdelar vars utbyte ej beskrivs bytes bäst av AEG auktoriserad serviceverkstad (se broschyr Garanti/Kundtjänstadresser).

Vid behov av sprängskiss, kan en sådan, genom att uppge maskinens art. nr. (som finns på typskylten) erhållas från: AEG Elektrowerkzeuge, Max-Eyth-Straße 10, D-71364 Winnenden, Germany.

SYMBOLER



Läs instruktionen noga innan du startar maskinen.



Tillbehör - Ingår ej i leveransomfånget, erhålles som tillbehör.



Drag ur batteripaket innan arbete utföres på maskinen.



Elektriska verktyg får inte kastas i hushållssoporna! Enligt direktivet 2002/96/EG som avser äldre elektrisk och elektronisk utrustning och dess tillämpning enligt nationell lagstiftning ska uttjänta elektriska verktyg sorteras separat och lämnas till miljövänlig återvinning.



Kasta aldrig utbytbara batterier i elden.



Byt alltid ut skadade batterier omedelbart.



TEKNISET ARVOT **SE 3.6** **LA 036**

Poran ø teräkseen 3 mm
Poran ø puuhun 6 mm
Puuruuvi (ilman esiporausta) 4,5 mm
Kuormittamaton kierroskuu 1. vaihteella 200 min-1
Kuormittamaton kierroskuu 2. vaihde 600 min-1
Vääntömomentti
pehmeä ruuvaus *1 4,5 Nm
kova ruuvaus *1 6,5 Nm
Yhden, täyteen ladatun akun ruuvauskapasiteetti (2,0 Ah): *2
4x30 Pehmeä puu 140
Jännite vaihtoakku 3,6 V
Paino vaihtoakkuineen 0,575 kg

Melunpäästö-/täärinätiedot
Mitta-arvot määritetty EN 60 745 mukaan.
Koneen tyyppiinen A-luokitettu melutaso:
Melutaso (K=3 dB(A)) 56 dB (A)
Työkenneltä melutaso saattaa ylittää 85 dB (A).
Käytä kuulosuojaimia!

Värähtelyn yhteisarvot (kolmen suunnan vektorisumma) mitattuna EN 60745 mukaan.
Värähtelyemissioarvo ah
Metallin poraaminen 2,8 m/s²
Epävarmuus K 1,5 m/s²
Ruuvinvääntö < 2,5 m/s²
Epävarmuus K 1,3 m/s²

Jännite 3,6 V
Pikalatausvirta NiCd / NiMH / Li-Ion 1,8 A
Varastointilataus 50-100 mA
Latausaika NiCd 1,4 Ah ca. 45 min
Latausaika NiMH 2,0 Ah ca. 65 min
Latausaika Li-Ion 1,5 Ah ca. 60 min
Paino ilman verkkojohtoa 285 g

*1 Mitattu AEG:n normin N 877318 mukaan
*2 Annetut arvot ovat ohjeellisia (2. vaihde). Todelliset arvot saattavat poiketa näistä.

VAROITUS

Näissä ohjeissa mainittu värähtelytaso on mitattu EN 60745 -standardin mukaisella mittausmenetelmällä ja sitä voidaan käyttää sähkötyökalujen vertaamiseen. Sitä voidaan käyttää myös värähtelyrasituksen väliaikaiseen arviointiin.
Mainittu värähtelytaso edustaa sähkötyökalun pääasiallista käyttöä. Jos sähkötyökalua kuitenkin käytetään muihin tehtäviin, poikkeavien työkaluun tai riittämättömästi huoltaen, värähtelytaso voi olla erilainen. Se voi korottaa värähtelyrasitusta koko työajan osalta.
Tarkan värähtelyrasituksen toteamiseen tulee ottaa huomioon aika, jona laite on kytketty pois tai on kylläkin päällä, mutta ei käytössä. Se voi pienentää värähtelyrasitusta koko työajan osalta.
Määrittele lisäturvatoimenpiteitä käyttäjän suojaamiseksi värinöiden vaikutukselta, kuten esimerkiksi: sähkötyökalujen ja käyttötyökalujen huolto, käsien lämpimänä pitäminen, työvaiheiden organisaatio.

VAROITUS! Lue kaikki, myös oheistetussa esitteessä annetut turvallisuusmääräykset ja käyttöohjeet.
Turvallisuuohjeiden noudattamisen laiminlyönti saattaa johtaa sähköiskuun, tulipaloon ja/tai vakavaan loukkaantumiseen.
Säilytä kaikki turvallisuus- ja muut ohjeet tulevaisuutta varten.

TURVALLISUUSOHJEET

Pitele laitetta vain eristetyistä tarttumapinnoista, kun suoritat sellaisia töitä, joissa leikkaustyökalu saattaa osua pölyssä oleviin sähköjohtoihin tai omaan liitäntäjohtoon.
Kosketus jännitteeseen johtoon saattaa myös koneen metalliosat jännitteisiksi ja johtaa sähköiskuun.

Käytä korvasuojia. Altistuminen melulle voi vahingoittaa kuuloa.

Käytä laitteella työkennellessäsi aina suojalaseja.
Suojakäsineiden, turvallisten ja tukevapohjaisten kenkien, kuulosuojainten ja suojaesiliinan käyttöä suositellaan.

Lastuja tai puruja ei saa poistaa koneen käydessä.
Varo seinään, kattoon tai lattiaan porattaessa osumasta sähköjohtoon, kaasu- ja vesijohtoihin.

Tarkista pistotulppa ja verkkojohto mahdollisista vaurioilta. Viat saa korjata vain alan erikoismies.

Käytettyjä vaihtoakkuja ei saa polttaa eikä poistaa normaalin jätehuollon kautta. AEG:lla on tarjolla vanhoja vaihtoakkuja varten ympäristöystävällinen jätehuolto palvelu.

Vaihtoakkuja ei saa säilyttää yhdessä metalliesineiden kanssa (oikosulkuvaara).

Käytä ainoastaan System SE36 latauslaitetta System SE36 akkujen lataukseen. Älä käytä muiden järjestelmien akkuja.
Vaurioituneesta akusta saattaa erityisen kovassa käytössä tai poikkeavassa lämpötilassa vuotaa akkuhappoa. Ihonkohta, joka on joutunut kosketukseen akkuhapon kanssa on viipymättä pestävä vedellä ja saippualla. Silmä, johon on joutunut akkuhappoa, on huuhdeltava vedellä vähintään 10 minuutin ajan, jonka jälkeen on viipymättä hakeuduttava lääkärin apuun.

Tämä latauslaite soveltuu seuraavien akkujen lataukseen:

Table with 4 columns: Jännite, Akku malli, Kapasiteetti, Kennojen lukumäärä. Rows include 3,6 V SB 3.6, 3,6 V SM 3.6, and 3,6 V SL 3.6.

Latauslaitteella ei saa ladata kertakäyttöakkuja.

On varottava, ettei latauslaitteen vaihtoakkulatauskoloon joudu metalliesineitä (oikosulkuvaara).

Vaihtoakkuja ja latauslaitteita ei saa avata. Säilytys vain kuivissa tiloissa. Suojattava kosteudelta.

Älä koske niihin sähköä johtavilla esineillä

Älä milloinkaan lataa vaurioitunutta akkuja. Vaihda uuteen.

Tarkista ennen jokaista käyttökertaa, ettei laitteessa, liitäntäjohtossa, jatkojohtossa ja pistotulpassa ole vaurioita eikä niissä ole tapahtunut muutoksia. Viallisia osia saa korjata vain alan ammattilainen.

Tätä laitetta ei ole tarkoitettu sellaisten henkilöiden (ei myöskään lasten) käytettäväksi, joiden fyysiset, aistimelliset tai henkiset kyvyt ovat rajoitteelliset tai joilla ei ole tarvittavaa kokemusta tai asiantuntemusta, paitsi niissä tapauksissa, jolloin he ovat heidän turvallisuudestaan vastuussa olevan henkilön valvonnassa tai saavat tältä henkilöltä laitteen käyttöä koskevat ohjeet.
Lapsia tulee valvoa, jotta voidaan varmistaa, että he eivät voi leikkiä tällä laitteella.

TARKOITUKSENMIUKAINEN KÄYTTÖ

Akkuporakone/ruuvinväännin on akkukäyttöinen ja toimii ilman verkkojohtoa.

Pikalatauslaite lataa AEG (System SE36): n vaihtoakut kooltaan 3,6 V.

Älä käytä tuotetta ohjeiden vastaisesti.

VERKKOLITÄNTÄ LA 036

Yhdistä ainoastaan tasavirtalähteeseen, jonka volttimäärä on sama kuin levyssä ilmoitettu. Myös liittäminen maadoittamattomiin pistokkeisiin on mahdollista, sillä muotoilu on yhdenmukainen turvallisuusluokan II kanssa.

TODISTUS CE-STANDARDINMUKAISUUDESTA

Todistamme täten ja vastaamme yksin siitä, että tämä tuote on alluueteltujen standardien ja standardoimisasiakirjojen vaatimusten mukainen: EN 60745, EN 55014-1, EN 55014-2, EN 60335, EN 61000-3-2, EN 61000-3-3, EN 50 366, seuraavien sääntöjen mukaisesti: 98/37/EY, 2006/95/EY, 2004/108/EY



Winnenden, 2009-05-19



Rainer Kumpf
Manager Product Development

KÄYTTÖVIHJEITÄ

Älä koskaan siirrä vaihdekytkintä toiseen asentoon koneen käydessä, vaan ainoastaan sen seistessä.

AKKU

Uudet vaihtoakut saavuttavat täyden varauskyyvyn 4-5 latauksen ja purkauksen jälkeen. Pitkään käyttämättä olleet vaihtoakut on ladattava ennen käyttöä.

Yli 50°C lämpötilassa akun suorituskyky heikkenee. Välttämän akkujen säilyttämistä auringossa tai kuumissa tiloissa.

Pidä aina latauslaitteen ja akun kosketinpinnat puhtaina.

Huomioitavaa NiMH akuista:
Akkujen suorituskyky heikkenee lämpötilan laskiessa alle -10°C. Akkujen pidempiaikainen säilytys yli 40°C lämpötilassa saattaa heikentää akkujen kapasiteettia.

OMINAISUUDET

Laturiin asettamisen jälkeen akun lataus tapahtuu automaattisesti (keltainen valo palaa jatkuvasti).

Mikäli laturiin asetettu akku on liian kuuma tai liian kylmä (punainen valo vilkkuu), lataus alkaa automaattisesti vasta, kun akku on saavuttanut oikean latauslämpötilan (NiCd/NiMH -5°C...50°C, Li-Ion 0°C...55°C).

Latausaika vaihtelee akun lämpötilasta, tarvittavasta varauksesta ja ladattavasta akkupakkauksesta riippuen.

Latauksen päätyttyä, laturi kytketty ylläpitolataukseen (vihreä valo palaa jatkuvasti).

Akkua ei tarvitse poistaa latauksen jälkeen, vaan se voidaan pitää laturissa jatkuvasti ilman ylläpitoon vaaraa ja on siten aina käyttövalmiina.

Jos molemmat valodiodit vilkkuvat, niin akkuja ei ole ladattu täyteen tai sitten akussa tai latauslaitteessa on vikaa. Turvallisuussyistä lopeta akun ja latauslaitteen käyttö heti ja anna AEG-huolto palvelun tarkastaa ne.

HUOLTO

Vaurioituneen liitosjohdon vaihto on suoritettava valtuutetussa AEG huolto liikkeessä, sillä työn suorittaminen vaatii erikoistytökäluja.

Käytä vain AEG:n lisälaitteita ja varaosia. Käytä ammattitaitoisten AEG-huoltosopimusliikkeiden palveluja muiden kuin käyttöohjeessa kuvattujen osien vaihdossa. (esite takuu/ huollotili kieluettelo).

Tarpeen vaatiessa voit pyytää lähettämään laitteen kokoonpanopiirustuksen ilmoittamalla arvokilven kymmennumeroisen numeron seuraavasta osoitteesta: AEG Elektrowerkzeuge, Max Eyth Straße 10, D 71364 Winnenden, Germany.

SYMBOLIT



Lue käyttöohjeet huolellisesti, ennen koneen käynnistämistä.



Lisälaitte - Ei sisälly vakiovarustukseen, saatavana lisätarvikkeena.



Tarkista pistotulppa ja verkkojohto mahdollisista vaurioilta. Viat saa korjata vain alan erikoismies.



Älä hävitä sähkötyökalua tavallisen kotitalousjätteen mukana! Vanhoja sähkö- ja elektroniikkalaitteita koskevan EU-direktiivin 2002/96/ETY ja sen maakohtaisten sovellusten mukaisesti käytetyt sähkötyökalut on toimitettava ongelmajätteen keräyspisteeseen ja ohjattava ympäristöystävälliseen kierrätykseen.



Käytettyjä akkuja ei saa hävittää polttamalla.



Älä milloinkaan lataa vaurioitunutta akkuja. Vaihda uuteen.



TEKNİK VERİLER**SE 3.6****LA 036**

Delme çapı çelikte	3 mm
Delme çapı tahta	6 mm
Ağaç vidaları (kılavuz deliksiz)	4,5 mm
Boştaki devir sayısı 1. Viteste.....	200 min ⁻¹
Boştaki devir sayısı 2. Vites.....	600 min ⁻¹
Tork	
yumuşak vidalama *1	4,5 Nm
sert vidalama *1	6,5 Nm
Bir kerelik akü şarjı ile vidalama kapasitesi (2,0 Ah): *2	
4x30 Yumuşak tahtada	140
Kartuş akü gerilimi	3,6 V
Ağırlığı Kartuş akülü	0,575 kg

Gürültü/Vibrasyon bilgileri

Ölçüm değerleri EN 60 745 e göre belirlenmektedir.

Aletin, frekansa bağımlı uluslararası ses basıncı seviyesi değerlendirme eğrisi A'ya göre tipik gürültü seviyesi:

Ses basıncı seviyesi (K = 3 dB(A)) 56 dB (A) |

Çalışma sırasında gürültü seviyesi 85 dB (A)'yı aşabilir.

Koruyucu kulaklık kullanın!

Toplam titreşim değeri (üç yönün vektör toplamı) EN 60745'e göre belirlenmektedir:

Titreşim emisyon değeri ah

Metal delme	2,8 m/s ²
Tolerans K	1,5 m/s ²
Vida ile tutturma	< 2,5 m/s ²
Tolerans K	1,3 m/s ²

Gerilim aralığı	3,6 V
Hızlı şarj akımı NiCd / NiMH / Li-Ion	1,8 A
Dengeleme şarjı	50-100 mA
Şarj süresi NiCd 1,4 Ah	ca. 45 min
Şarj süresi NiMH 2,0 Ah	ca. 65 min
Şarj süresi NiMH Li-Ion 1,5 Ah	ca. 60 min
Ağırlığı, şebeke kablosuz	285 g

*1 AEG Norm N 877318'e göre ölçülmüştür.

*2 Belirtilen değerler referans değerlerdir (2. Vites). Gerçek değerler işlenen malzeme ve vida kalitesine göre bu değerlerden farklılık gösterebilir

UYARI

Bu talimatlarda belirtilen titreşim seviyesi, EN 60745 standardına uygun bir ölçme metodu ile ölçülmüştür ve elektrikli el aletleri birbiriyle karşılaştırmak için kullanılabilir. Ölçüm sonuçları ayrıca titreşim yükünün geçici değerlendirilmesi için de uygundur.

Belirtilen titreşim seviyesi, elektrikli el aletinin genel uygulamaları için geçerlidir. Ancak elektrikli el aleti başka uygulamalar için, farklı eklenti parçalarıyla ya da yetersiz bakım koşullarında kullanılırsa, titreşim seviyesi farklılık gösterebilir. Bu durumda, titreşim yükü toplam çalışma zaman aralığı içerisinde belirgin ölçüde yükselebilir.

Titreşim yükünün tam bir değerlendirmesi için ayrıca cihazın kapalı olduğu süreler ve cihazın çalışır durumda olduğu, ancak gerçek kullanımda bulunmadığı süreler de dikkate alınmalıdır. Böylelikle, toplam çalışma zamanı aralığı boyunca meydana gelen titreşim yükü belirgin ölçüde azaltılabilir.

Kullanıcıyı titreşimlerin etkisinden korumak üzere, örneğin elektrikli el aletlerinin ve eklenti parçalarının bakımı, ellerin sıcak tutulması ve iş akışlarının organizasyonu gibi ek güvenlik tedbirleri belirleyiniz.

UYARI! Güvenlikle ilgili bütün açıklamaları, talimatları ve ilişikteki broşürde yazılı bütün hususları okuyunuz.

Açıklanan uyarılara ve talimat hükümlerine uyulmadığı takdirde elektrik çarpmalarına, yangınlara ve/veya ağır yaralanmalara neden olunabilir.

Bütün uyarıları ve talimat hükümlerini ileride kullanmak üzere saklayın.**GÜVENLİĞİNİZ İÇİN TALİMATLAR****Kesme aletinin eğrilmiş elektrik kabloları veya kendi kablosuna isabet eden çalışmalar yapılrken cihazı izole edilmiş kollarından tutun.** Elektrik akımı ileten kablolarla temas edilecek olursa metal alet elemanlarına da gerilim geçer ve bu da elektrik çarpmalarına neden olabilir.**Koruyucu kulaklık kullanın.** Çalışırken çıkan gürültü işitme kayıplarına neden olabilir.

Aletle çalışırken daima koruyucu gözlük kullanın. Koruyucu iş eldivenleri, sağlam ve kaymaz ayakkabılar ve iş önlüğü kullanmanızı tavsiye ederiz.

Alet çalışır durumda iken talaş ve kırpıntıları temizlemeye çalışmayın.

Duvar, tavan ve zeminde delik açarken elektrik kablolarına, gaz ve su borularına dikkat edin.

Aletin kendinde bir çalışma yapmadan önce kartuş aküyü çıkarın.

Kullanılmış kartuş aküleri ateşe veya ev çöplerine atmayın. AEG, kartuş akülerin çevreye zarar vermeyecek biçimde tasfiye edilmesine olanak sağlayan hizmet sunar; lütfen bu konuda yetkili satıcınızdan bilgi alın.

Kartuş aküleri metal parça veya eşyalarla birlikte saklamayın (kısa devre tehlikesi).

SE36 sistemli kartuş aküleri sadece SE36 sistemli şarj cihazları ile şarj edin. Başka sistemli aküleri şarj etmeyin.

Aşırı zorlanma veya aşırı ısınma sonucu hasar gören kartuş akülerden batarya sıvısı dışarı akabilir. Batarya sıvısı ile temas gelen yeri hemen bol su ve sabunla yıkayın. Batarya sıvısı gözünüze kaçacak olursa en azından 10 dakika yıkayın ve zaman geçirmeden bir hekime başvurun.

Bu şarj cihazı ile aşağıdaki kartuş aküler şarj edilebilir:

Gerilim	Akü tipi	Anma kapasitesi	Hücre sayısı
3,6 V	SB 3.6	≥ 1,4 Ah	3
3,6 V	SM 3.6	≥ 2,0 Ah	3
3,6 V	SL 3.6	≥ 1,5 Ah	1

Bu şarj cihazı ile şarj edilemeyen bataryalar şarj edilmemelidir.

Şarj cihazının kartuş akü yuvasına hiçbir şekilde metal parçalar kaçmamalıdır (kısa devre tehlikesi).

Kartuş aküleri ve şarj cihazını açmayın ve sadece kuru yerlerde saklayın. Neme ve ıslanmaya karşı koruyun.

Aletin içine iletken parçalar sokmayın.

Hasarlı kartuş aküleri şarj etmeyin, hemen değiştirin.

Her kullanımdan önce alet, bağlantı kablosu, uzatma kablosu ve fişin hasarlı olup olmadığını ve eskiiyip eskimediyini kontrol edin. Hasarlı parçaları sadece uzmanına anartın.

Bu cihaz (çocuklar da dahil olmak üzere) fiziksel ve ruhsal rahatsızlığı bulunan ve etkilenen kişiler ve cihaz hakkında deneyimli ve/veya bilgisi bulunmayan kişiler tarafından kullanılamaz. İstisnai durumlar ise; kişiler kendi güvenlikleri açısından yetkili kişilerin denetimi altındadır veya kendilerine cihazın nasıl kullanılacağına dair gerekli talimatlar verilmiştir. Çocukların cihaz ile oynamalarını teminen, denetim altında bulundurulması gerekir.

KULLANIM

Bu akülü delme/vidalama makinesi, şebeke akımına bağlı kalınmadan delme ve vidalama işlerinde çok yönlü olarak kullanılabilir.

Hızlı şarj cihazı AEG (System SE36)'nın 3,6 V kartuş akülerini şarj eder.

Bu alet sadece belirttiği gibi ve usulüne uygun olarak kullanılabilir.

ŞEBEKE BAĞLANTISI LA 036

Aleti sadece tek fazlı alternatif akıma ve tip etiketi üzerinde belirtilen şebeke gerilimine bağlayın. yapısı Koruma sınıfı II'ye girdiğinden alet koruyucu kontaklı prize de bağlanabilir.

CE UYGUNLUK BEYANI

Tek sorumlu olarak bu ürünün 98/37/EC, 2006/95/EC, 2004/108/EC yönetmelik hükümleri uyarınca aşağıdaki normlara ve norm dokümanlarına uygunluğunu beyan ederiz: EN 60745, EN 55014-1, EN 55014-2, EN 60335, EN 61000-3-2, EN 61000-3-3, EN 50 366.



Winnenden, 2009-05-19

Rainer Kumpf
Manager Product Development**ÇALIŞIRKEN DİKKAT EDİLECEK HUSUSLAR**

Hız şalterine kesinlikle alet çalışırken basmayın, şaltare sadece alet durduğunda basın.

AKÜ

Yeni kartuş aküler ancak 4-5 şarj/deşarj işleminden sonra tam kapasitelerine ulaşırlar. Uzun süre kullanım dışı kalmış kartuş aküleri kullanmadan önce şarj edin.

50°C üzerindeki sıcaklıklar kartuş akünün performansını düşürür. Akünün güneş ışığı veya mekân sıcaklığı altında uzun süre ısınmamasına dikkat edin.

Şarj cihazı ve kartuş aküdeki bağlantı noktalarını temiz tutun.

NiMH akülere ait genel açıklamalar:

-10°C'nin altındaki sıcaklıklarda akünün performansı sınırlı kalır. +40°C'nin üzerinde uzun süre saklama akünün kapasitesine olumsuz etki edilebilir.

ÖZELLİKLER

Değiştirilebilir kartuş akü şarj cihazının yuvasına yerleştirildikten sonra kartuş akü otomatik olarak şarj olur (sarı LED sürekli olarak yanar).

Çok sıcak veya çok soğuk bir kartuş akü şarj cihazına yerleştirilecek olursa (Kırmızı LED yanıp söner), kartuş akü kusursuz şarj sıcaklığına eriştikten sonra şarj işlemi otomatik olarak başlar (NiCd/NiMH -5°C...50°C, Li-Ion 0°C...55°C).

Şarj süresi akü sıcaklığına, gerekli şarj miktarına ve akü kapasitesine göre değişebilir.

Kartuş akü tam olarak şarj olunca şarj cihazı, akü kapasitesinden azami ölçüde yararlanmak üzere dengeleme şarjına geçer (yeşil LED sürekli olarak yanar).

Kartuş akünün şarj işleminden sonra şarj cihazından çıkarılması şart değildir. Kartuş akü sürekli olarak şarj cihazı içinde kalabilir. Bu durumda akü aşırı ölçüde şarj olmaz ve her zaman kullanıma hazır olur.

Her iki LED ışığı yanıp sönerse, ya akü tamamen doldurulmamıştır veya akü yada şarj hatalı alınması gelir. Şarj ve akünün güvenlik sebeplerinden dolayı hemen kapatılması ve AEG Müşteri Servisine kontrol ettirilmesi gerekir.

BAKIM

Eğer şebeke bağlantı kablosu hasar görürse, özel aletler gerekli olduğundan, bunun bir AEG müşteri servisi tarafından değiştirilmesi şarttır.

Sadece AEG aksesuarını ve yedek parçalarını kullanın. Değiştirilmesi açıklanmamış olan parçaları bir AEG müşteri servisinde değiştirin (Garanti broşürüne ve müşteri servisi adreslerine dikkat edin).

Gerektiği takdirde aletin dağınık görünüş şeması, alet tipinin ve tip etiketi üzerindeki on haneli sayının bildirilmesi koşuluyla müşteri servisinden veya doğrudan AEG Elektrowerkzeuge, Max-Eyth-Straße 10, D-71364 Winnenden, Germany adresinden istenebilir.

SEMBOLLER

Lütfen aleti çalıştırmadan önce kullanma kılavuzunu dikkatli biçimde okuyun.



Değiştirilebilir aküleri (kartuş aküleri) ateşe atmayın.

Hasarlı kartuş aküleri şarj etmeyin, hemen değiştirin.

TECHNICKÁ DATA	SE 3.6	LA 036
Vrtací ø v oceli	3 mm	
Vrtací ø v dřevě	6 mm	
Vruty do dřeva (bez předvrtání)	4,5 mm	
Počet otáček při běhu naprázdno na 1.st.rychlosti	200 min ⁻¹	
Počet otáček při běhu naprázdno na 2.stupeň rychlosti	600 min ⁻¹	
Krouticí moment		
měkké odpadnutí šroubu *1	4,5 Nm	
tvrdé odpadnutí šroubu *1	6,5 Nm	
Kapacita šroubování na jedno nabití akumulátoru (2,0 Ah). *2		
4x30 do měkkého dřeva	140	
Napětí výměnného akumulátoru	3,6 V	
Hmotnost s výměnným akumulátorem	0,575 kg	

Informace o hluku / vibracích

Naměřené hodnoty odpovídají EN 60 745.

V třídě A posuzovaná hladina hluku přístroje činí typicky:

Hladina akustického tlaku (K=3dB(A))

Hladina akustického výkonu 85 dB(A).

Používejte chrániče sluchu !

Celkové hodnoty vibrací (vektorový součet tří směrů) zjištěné ve smyslu EN 60745.

Hodnota vibračních emisí ah

Vrtání kovů	2,8 m/s ²
Kolisavost K	1,5 m/s ²
Šroubování	< 2,5 m/s ²
Kolisavost K	1,3 m/s ²

Rozsah napětí	3,6 V
Nabíjecí proud rychlonabíjení NiCd / NiMH / Li-Ion	1,8 A
Udržovací proud	50-100 mA
Doba nabíjení NiCd 1,4 Ah	ca. 45 min
Doba nabíjení NiMH 2,0 Ah	ca. 65 min
Doba nabíjení Li-Ion 1,5 Ah	ca. 60 min
Hmotnost bez kabelu	285 g

*1 Změřeno podle normy AEG N 877318

*2 Udané hodnoty jsou orientační (2.stupeň rychlosti). Skutečné hodnoty se mohou lišit podle materiálu a kvality šroubu.

VAROVÁNÍ

Úroveň chvění uvedená v tomto návodu byla naměřena podle metody měření stanovené normou EN 60745 a může být použita pro porovnání elektrického nářadí. Hodí se také pro průběžný odhad zatížení chvěním.

Uvedená úroveň chvění představuje hlavní účely použití elektrického nářadí. Jestliže se ale elektrické nářadí používá pro jiné účely, s odlišnými nástroji nebo s nedostatečnou údržbou, může se úroveň chvění odlišovat. To může značně zvýšit zatížení chvěním během celé pracovní doby.

Pro přesný odhad zatížení chvěním se musí také zohlednit časy, během kterých je přístroj vypnutý nebo kdy je sice v chodu, ale skutečně se s ním nepracuje. To může zatížení chvěním během celé pracovní doby značně snížit.

Stanovte doplňková bezpečnostní opatření pro ochranu obsluhy před účinky chvění jako například: technická údržba elektrického nářadí a nástrojů, udržování teploty rukou, organizace pracovních procesů.

VAROVÁNÍ! Seznamte se se všemi bezpečnostními pokyny a sice i s pokyny v příložené brožůře. Zanedbání při dodržování varovných upozornění a pokynů mohou mít za následek úder elektrickým proudem, požár a/nebo těžká poranění.

Všechna varovná upozornění a pokyny do budoucna uschovejte.

SPECIÁLNÍ BEZPEČNOSTNÍ UPOZORNĚNÍ

Při provádění prací, při kterých nástroj může narazit na skryta elektrická vedení nebo na vlastní kabel, držte přístroj za izolované přidržovací plošky. Kontakt s vedením pod napětím přivádí napětí i na kovové díly stroje a vede k elektrickému úderu.

Používejte chrániče sluchu. Působením hluku může dojít k poškození sluchu.

Při práci se strojem neustále nosit ochranné brýle. Doporučuje se používat ochranné rukavice, pevnou protiskluzovou obuv a zástěru.

Pokud stroj běží, nesmí být odstraňovány třisky nebo odštěpky.

Při vrtání do zdi, stropu nebo podlahy dávat pozor na elektrické kabely, plynová a vodovodní potrubí.

Před zahájením veškerých prací na vrtacím šroubováků vyjmout výměnný akumulátor.

Použité nevyhazujte do domovního odpadu nebo do ohně. AEG nabízí ekologickou likvidaci starých článků, ptejte se u vašeho obchodníka s nářadím.

Náhradní akumulátor neskladujte s kovovými předměty, nebezpečí zkratu.

Akumulátor systému SE36 nabíjejte pouze nabíječkou systému SE36. Nenabíjejte akumulátory jiných systémů.

Při extrémní zátěži či vysoké teplotě může z akumulátoru vytékat kapalina. Při zasažení touto kapalinou okamžitě zasažená místa omýjte vodou a mýdlem. Při zasažení očí okamžitě důkladně po dobu alespoň 10min. omývat a neodkladně vyhledat lékaře.

Nabíječkou mohou být nabitý následující typy akumulátorů :

Napětí	Typ akumulátoru	Jmen.kapacita	Počet článků
3,6 V	SB 3.6	≥ 1,4 Ah	3
3,6 V	SM 3.6	≥ 2,0 Ah	3
3,6 V	SL 3.6	≥ 1,5 Ah	1

Nabíječkou nenabíjejte standardní baterie, které nelze nabíjet.

V nabíjecím postu nabíječky neskladujte kovové předměty, nebezpečí zkratu.

Náhradní akumulátory ani nabíječku neotvírejte, skladujte je v suchu, chráňte před vlhkem.

Před každou prací na zařízení vytáhněte zástrčku za zásuvky.

Nenabíjejte poškozené akumulátory, ihned je nahraďte!

Před každým použitím nabíječky přezkontrolujte přívodní kabel, prodlužovací kabel a zástrčku zda nejsou poškozeny a nebo zestárle. Poškozené díly nechte opravit odborníky.

Tento přístroj není určen k používání osobami (včetně dětí) s omezenými tělesnými, smyslovými nebo duševními schopnostmi nebo osobami s nedostatečnými zkušenostmi a/nebo znalostmi, pokud nepracují pod dozorem osoby zodpovědné za bezpečnost nebo pokud touto osobou nebyli poučeni o tom, jak se přístroj má používat.

Děti by měly být pod dozorem, aby bylo zajištěno, že si s přístrojem nebudou hrát.

OBLAST VYUŽITÍ

Akumulátorový vrtací šroubovák je univerzálně použitelný pro vrtání a šroubování nezávisle na elektrické síti.

Rychlonabíječku lze použít výhradně k nabíjení AEG akumulátorů systému SE36 od 3,6 V.

Toto zařízení lze používat jen pro uvedený účel.

PŘIPOJENÍ NA SÍŤ LA 036

Připojit pouze do jednofázové střídavé sítě o napětí uvedeném na štítku. Lze připojit i do zásuvky bez ochranného kontaktu neboť spořičebič je třídy II.

CE-PROHLÁŠENÍ O SHODĚ

Se vši zodpovědností prohlašujeme, že tento výrobek odpovídá následujícím normám a normativním dokumentům: EN 60745, EN 55014-1, EN 55014-2, EN 60335, EN 61000-3-2, EN 61000-3-3, EN 50366 v souladu se směrnicemi EHS č. 98/37/EC, 2006/95/EC, 2004/108/EC



Winnenden, 2009-05-19

Rainer Kumpf
Rainer Kumpf
Manager Product Development

PRACOVNÍ UPOZORNĚNÍ

Přepínač rychlosti nepoužívejte nikdy při zapnutém stroji, nyržr pouze v klidovém stavu.

AKUMULÁTORY

Nový akumulátor dosáhne plné kapacity po 4 - 5 nabíjecích cyklech. Děle nepoužívané akumulátory je nutné před použitím znovu nabít.

Teplota přes 50°C snižuje výkon akumulátoru. Chraňte před dlouhým přehříváním na slunci či u topení.

Kontakty nabíječky a akumulátoru udržujte v čistotě.

Všeobecná upozornění k akumulátorům NiMH: Výkon je při teplotách pod -10°C velmi omezený. Dlouhodobé skladování v teplotách nad +40°C může mít negativní vliv na kapacitu akumulátoru.

UPOZORNĚNÍ

Po nasazení akumulátoru do nabíječky je akumulátor automaticky nabíjen (svítí LED dioda).

Je-li do nabíječky nasazen hodně teplý a nebo hodně studený akumulátor (bliká žlutá LED), počne nabíjení až když akumulátor dosáhne správné teploty (NiCd/NiMH -5°C...50°C, Li-Ion 0°C...55°C).

Doba nabíjení závisí na teplotě akumulátoru, na objemu dobíjené kapacity, na jeho jmenovité kapacitě.

Při plně nabitém akumulátoru se přepne nabíječka do udržovacího režimu, akumulátor je nabit na plnou kapacitu (svítí LED dioda).

Po nabití není nutné akumulátor vyjmout z nabíječky. Může trvale zůstat v nabíječce. Nemůže dojít k jeho přebití a tak je stále v pohotovosti.

Blikají-li obě kontrolky LED, není akumulátor správně vložený, nebo je defektní buď akumulátor nebo nabíječka. Z bezpečnostních důvodů v tomto případě ihned odpojte nabíječku od sítě a nechte ji spolu s akumulátorem přezkoušet v servisním středisku AEG.

ÚDRŽBA

Poškodí-li se přívodní kabel, je nutná oprava v odborném servisu AEG, protože je potřebný speciální klíč.

Používejte výhradně náhradní díly a příslušenství AEG. Díly, jejichž výměna nebyla popsána, nechávejte vyměnit v odborném servisu AEG. (Viz záruční list.)

Při potřebě podrobného rozkresu konstrukce, oslovte informací o typu a desetimístném objednacím čísle přímo servis a nebo výrobce, AEG Elektrowerkzeuge, Max-Eyth-Straße 10, D-71364 Winnenden, Germany.

SYMBOLY



Před spuštěním stroje si pečlivě pročtete návod k používání.



Příslušenství není součástí dodávky, viz program příslušenství.



Před zahájením veškerých prací na vrtacím šroubováků vyjmout výměnný akumulátor.



Elektrické nářadí nevyhazujte do komunálního odpadu! Podle evropské směrnice 2002/96/EC o nakládání s použitými elektrickými a elektronickými zařízeními a odpovídajících ustanovení právních předpisů jednotlivých zemí se použitá elektrická nářadí musí sbírat odděleno od ostatního odpadu a podrobit ekologicky šetrnému recyklování.



Akumulátory nevhazujte do ohně.



Nenabíjejte poškozené akumulátory, ihned je nahraďte!



TECHNICKÉ ÚDAJE	SE 3.6	LA 036
Priemer vrtu do ocele	3 mm	
Priemer vrtu do dreva	6 mm	
Skrutkovanie do dreva (bez predvrtu)	4,5 mm	
Otáčky naprázdno v 1. prevodovom stupni	200 min ⁻¹	
Otáčky naprázdno v 2. prevodovom stupni	600 min ⁻¹	
Točivý moment		
mäkké odpadnutie skrutky *1	4,5 Nm	
tvrdé odpadnutie skrutky *1	6,5 Nm	
Kapacita skrutkovania s jedným plne nabitým akumulátorom (2,0 Ah): *2		
4x30 do mäkkého dreva	140	
Napätie výmenného akumulátora	3,6 V	
Hmotnosť s výmenným akumulátorom	0,575 kg	

Informácia o hluku / vibráciách

Namerané hodnoty určené v súlade s EN 60 745.

V triede A posudzovaná hladina hluku prístroja činí typicky:

Hladina akustického tlaku (K=3 dB(A))

Hladina hluku pri práci môže prekročiť 85 dB (A)

Používajte ochranu sluchu!

Celkové hodnoty vibrácií (vektorový súčet troch smerov) zistené v zmysle EN 60745.

Hodnota vibračných emisií ah

Víranie kovov	2,8 m/s ²
Kolisavosť K	1,5 m/s ²
Skrutkovanie	< 2,5 m/s ²
Kolisavosť K	1,3 m/s ²

Rozsah napätia	3,6 V
Nabíjací prúd rýchleho nabíjania NiCd / NiMH / Li-Ion	1,8 A
Udržiavacie nabíjanie	50-100 mA
Doba nabíjania NiCd 1,4 Ah	ca. 45 min
Doba nabíjania NiMH 2,0 Ah	ca. 65 min
Doba nabíjania Li-Ion 1,5 Ah	ca. 60 min
Hmotnosť bez sieťového kábla	285 g

*1 Merané podľa AEG normy N 877318

*2 Uvedené hodnoty sú smerné hodnoty (2. prevodovom stupni). Skutočné hodnoty sa môžu od nich líšiť v závislosti od materiálu a kvality skrutiek.

POZOR

Úroveň vibrácií uvedená v týchto pokynoch bola nameraná meracou metódou, ktorú stanovuje norma EN 60745 a je možné ju použiť na vzájomné porovnanie elektrického náradia. Hodí sa aj na predbežné posúdenie kmitavého namáhania.

Uvedená úroveň vibrácií reprezentuje hlavné aplikácie elektrického náradia. Ak sa však elektrické náradie používa pre iné aplikácie, s odlišnými vloženými nástrojmi alebo s nedostatočnou údržbou, môže sa úroveň vibrácií líšiť. Toto môže kmitavé namáhanie v priebehu celej pracovnej doby podstatne zvýšiť.

Pre presný odhad kmitavého namáhania by sa mali tiež zohľadniť doby, v ktorých je náradie vypnuté alebo je síce v chode, ale v skutočnosti sa nepoužíva. Toto môže kmitavé namáhanie v priebehu celej pracovnej doby zreteľne redukovať.

Stanovte dodatočné bezpečnostné opatrenia pre ochranu obsluhy pred účinkami vibrácií, ako napríklad: údržba elektrického náradia a vložených nástrojov, udržiavanie teploty rúk, organizácia pracovných postupov.

⚠ POZOR! Zoznámte sa so všetkými bezpečnostnými pokynmi a síce aj s pokynmi v priloženej brožúre.

Zanedbanie dodržiavania Výstražných upozornení a pokynov uvedených v nasledujúcom texte môže mať za následok zásah elektrickým prúdom, spôsobiť požiar a/alebo ťažké poranenie.

Tieto výstražné upozornenia a bezpečnostné pokyny starostlivo uschovajte na budúce použitie.

ŠPECIÁLNE BEZPEČNOSTNÉ POKYNY

Pri realizovaní prác, pri ktorých nástroj môže naraziť na skryté elektrické vedenie alebo na vlastný kábel, držte prístroj za izolované prídržovacie plošky. Kontakt s vedením, ktoré je pod napätím, spôsobí, že aj kovové súčiastky náradia sa dostanú pod napätie, čo má za následok zásah elektrickým prúdom.

Používajte ochranu sluchu. Pôsobenie hluku môže spôsobiť stratu sluchu.

Pri práci so strojom vždy noste ochranné okuliare. Odporúčame ochranné rukavice, pevnú protišmykovú obuv a zásteru.

Triesky alebo úlomky sa nesmú odstraňovať za chodu stroja.

Pri práci v stene, strope alebo v podlahe dávajte pozor na elektrické káble, plynové a vodovodné potrubia.

Pred každou prácou na stroji výmenný akumulátor vyťahnúť.

Opatrované výmenné akumulátory nezahadzujte do ohňa alebo medzi domový odpad. AEG ponúka likvidáciu starých výmenných akumulátorov, ktorá je v súlade s ochranou životného prostredia; informujte sa u Vášho predajcu.

Výmenné akumulátory neskladovať spolu s kovovými predmetmi (nebezpečenstvo skratu).

Výmenné akumulátory systému SE36 nabíjať len nabíjacími zariadeniami systému SE36. Akumulátory iných systémov týmto zariadením nenabíjať.

Pri extrémnych záťažach alebo extrémnych teplotách môže dôjsť k vytekaniu batériovej tekutiny z poškodeného výmenného akumulátora. Ak dôjde ku kontaktu pokožky s roztokom, postihnuté miesto umyť vodou a mydlom. Ak sa roztok dostane do očí, okamžite ich dôkladne vypláchnuť po dobu min. 10 min a bezodkladne vyhľadať lekára.

S týmto nabíjacím zariadením môžu byť nabíjané nasledovné výmenné akumulátory:

Napätie	Typ akumulátora	Menovitá kapacita	Počet článkov
3,6 V	SB 3.6	≥ 1,4 Ah	3
3,6 V	SM 3.6	≥ 2,0 Ah	3
3,6 V	SL 3.6	≥ 1,5 Ah	1

S týmto nabíjacím zariadením nesmú byť nabíjané nenabíjateľné batérie.

Do zasúvacieho otvoru pre výmenné akumulátory na nabíjacom zariadení, sa nesmú dostať žiadne kovové predmety (nebezpečenstvo skratu).

Výmenné akumulátory a nabíjacie zariadenia neotvárajte a skladovať len v suchých priestoroch. Chrániť pred vlhkosťou.

Nesiahajte s vodivými predmetmi do prístroja.

Poškodený výmenný akumulátor nenabíjať a ihneď ho vymeniť.

Pred každým použitím skontrolovať prístroj, pripojovací kábel, akumulátory, predlžovací kábel a zástrčku či nedošlo k poškodeniu alebo zosťarnutiu. Poškodené časti nechať opraviť odborníkom.

Tento prístroj nie je určený k používaniu osobami (včítane detí) s obmedzenými telesnými, zmyslovými alebo duševnými schopnosťami alebo osobami s nedostatočnými skúsenosťami a/alebo znalosťami, pokiaľ nepracujú pod dozorom osoby zodpovednej za bezpečnosť alebo pokiaľ touto osobou neboli poučení o tom, ako sa prístroj má používať.

Deti by mali byť pod dozorom, aby bolo zaistené, že sa s prístrojom nebudú hrať.

POUŽITIE PODĽA PREDPISOV

AKU-vrtiaci skrutkovač je univerzálne použiteľný na víranie a skrutkovanie nezávisle od sieťovej prípojky.

Rýchlonabíjacie zariadenie nabíja AEG-výmenné akumulátory systému SE36 od 3,6 V.

Tento prístroj sa smie používať len v súlade s uvedenými predpismi.

SIETOVÁ PRÍPOJKA LA 036

Pripájať len na jednofázový striedavý prúd a na sieťové napätie uvedené na štítku. Pripojenie je možné aj do zásuviek bez ochranného kontaktu, pretože ide o konštrukciu ochrannej triedy II.

CE - VYHLÁSENIE KONFORMITY

Vyhlasujeme v našej výhradnej zodpovednosti, že tento produkt zodpovedá nasledovným normám alebo normatívnym dokumentom: EN 60745, EN 55014-1, EN 55014-2, EN 60335, EN 61000-3-2, EN 61000-3-3, EN 50 366 podľa predpisov smerníc 98/37/EC, 2006/95/EC, 2004/108/EC.



Winnenden, 2009-05-19

Rainer Kumpf

Rainer Kumpf
Manager Product Development

POKYNY KU PRÁCI

Nikdy neprepínať rýchlosť, keď je skrutkovač v behu. Rýchlosť nastaviť, len keď je skrutkovač vypnutý.

AKUMULÁTORY

Nové výmenné akumulátory dosiahnu svoju maximálnu kapacitu po 4-5 nabitíach a vybitiach. Dlhší čas nepoužívanie výmenné akumulátory pred použitím dobiť.

Teplota vyššia ako 50°C znižuje výkon výmenného akumulátora. Zabráňte dlhšiemu ohriatiu slnkom alebo kúrením.

Pripájacie kontakty na nabíjacom zariadení a výmennom akumulátore udržiavať čisté.

Všeobecné pokyny k NiMH-akumulátorom:

Pri teplotách pod -10°C je výkon akumulátora obmedzený. Dlhodobé uskladnenie pri teplotách vyšších ako +40°C môže mať negatívny vplyv na kapacitu akumulátora.

ZNAKY

Po zastrčení výmenného akumulátora do zasúvacieho otvoru nabíjacieho zariadenia sa výmenný akumulátor automaticky nabíja (žltá LED-dióda svieti nepretržite).

Ak je do nabíjacieho zariadenia zastrčený príliš teplý alebo príliš studený výmenný akumulátor (červená LED-dióda bliká), nabíjanie začne automaticky až keď výmenný akumulátor dosiahne správnu nabíjaciu teplotu (NiCd/NiMH -5°C...50°C, Li-Ion 0°C...55°C).

Doba nabíjania sa mení v závislosti od teploty akumulátora, požadovaného stavu nabitia a kapacity akumulátora.

Po úplnom nabití výmenného akumulátora prepne nabíjací prístroj na udržiavacie nabíjanie, aby bola maximálne využitá kapacita akumulátora (žltá LED-dióda nesvieti).

Výmenný akumulátor nemusí byť po nabití vyťahnutý z nabíjacieho zariadenia. Výmenný akumulátor môže byť nepretržite v nabíjacom zariadení. Nemôže pritom dôjsť k prebíjaniu a akumulátor je takto vždy prevádzkyschopný.

Ak blikajú obe kontrolky LED, nie je akumulátor správne vložený, alebo je defektný buď akumulátor alebo nabíjačka. Z bezpečnostných dôvodov v tomto prípade ihneď odpojte nabíjačku od siete a nechajte ju spolu s akumulátorom preskúšať v servisnom stredisku AEG.

ÚDRŽBA

Ak dôjde k porušeniu sieťovej prípojky, táto porucha musí byť odstránená zákaznickým centrom AEG, pretože k oprave je potrebné špeciálne náradie.

Používať len AEG príslušenstvo a náhradné diely. Súčiastky bez návodu na výmenu treba dať vymeniť v jednom z AEG zákaznických centier (viď brožúru Záruka/Adresy zákaznických centier).

Pri udaní typu stroja a desaťmiestneho čísla nachádzajúceho sa na štítku dá sa v prípade potreby vyžiadať explozivná schéma prístroja od Vášho zákaznického centra alebo priamo v AEG Elektrowerkzeuge, Max-Eyth-Straße 10, D-71364 Winnenden, Germany.

SYMBOLY



Pred prvým použitím prístroja si pozorne prečítajte návod na obsluhu.



Príslušenstvo - nie je súčasťou štandardnej výbavy, odporúčané doplnenie z programu príslušenstva.



Pred každou prácou na stroji výmenný akumulátor vyťahnúť.



Elektrické náradie nevyhadzujte do komunálneho odpadu! Podľa európskej smernice 2002/96/EC o nakladaní s pou-itými elektrickými a elektronickými zariadeniami a zodpovedajúcich ustanovení právnych predpisov jednotlivých krajín sa pou-ité elektrické náradie musí zbierať oddelene od ostatného odpadu a podrobiť ekologicky aetnej recyklácii.



Použitú akumulátory nehádzať do ohňa.



Poškodený výmenný akumulátor nenabíjať a ihneď ho vymeniť.



DANE TECHNICZNE	SE 3.6	LA 036
Zdolność wiercenia w stali.....	3 mm	
Zdolność wiercenia w drewnie.....	6 mm	
Wkręty do drewna (bez nawiercania wstępnego).....	4,5 mm	
Prędkość bez obciążenia na pierwszym biegu.....	200 min ⁻¹	
Prędkość bez obciążenia drugi bieg.....	600 min ⁻¹	
Moment obrotowy		
przypadek miękkiego wkręcania *1.....	4,5 Nm	
przypadek twardego wkręcania *1.....	6,5 Nm	
Zdolność wkręcania za pomocą jednej całkowicie naładowanej wkładki akumulatorowej (2,0 Ah)*2		
4x30 drewno miękkie.....	140	
Napięcie baterii akumulatorowej.....	3,6 V	
Ciężar z akumulatorem.....	0,575 kg	

Informacja dotycząca szumów/wibracji

Zmierzone wartości wyznaczone zgodnie z normą EN 60 745. Poziom szumów urządzenia oszacowany jako A wynosi typowo:
 Poziom ciśnienia akustycznego (K=3dB(A))..... 56 dB (A)
 Poziom hałasu podczas pracy może przekroczyć 85dB (A).
Należy używać ochroniaczy uszu!

Wartości łączne drgań (suma wektorowa trzech kierunków) wyznaczone zgodnie z normą EN 60745

Wartość emisji drgań ah	
Wiercenie w metalu.....	2,8 m/s ²
Niepełność K.....	1,5 m/s ²
Przykręcanie.....	< 2,5 m/s ²
Niepełność K.....	1,3 m/s ²

Zakres napięcia.....	3,6 V
Prąd szybkiego ładowania NiCd / NiMH / Li-Ion.....	1,8 A
Ładowanie podtrzymujące.....	50-100 mA
Czas ładowania baterii akumulatorowej NiCd 1,4 Ah.....	ca. 45 min
Czas ładowania baterii akumulatorowej NiMH 2,0 Ah.....	ca. 65 min
Czas ładowania baterii akumulatorowej Li-Ion 1,5 Ah.....	ca. 60 min
Ciężar bez kabla.....	285 g

*1 Zmierzone zgodnie z normą AEG N 877318

*2 Podane wartości mają charakter orientacyjny (2 bieg). Rzeczywiste wartości mogą się różnić w zależności od materiału i jakości wkrętów.

OSTRZEŻENIE

Podany w niniejszych instrukcjach poziom drgań został zmierzony za pomocą metody pomiarowej zgodnej z normą EN 60745 i może być użyty do porównania ze sobą elektronarzędzi. Nadaje się on również do tymczasowej oceny obciążenia wibracyjnego.

Podany poziom drgań reprezentuje główne zastosowania elektronarzędzia. Jeśli jednakże elektronarzędzie użyte zostanie do innych celów z innymi narzędziami roboczymi lub nie jest dostatecznie konserwowane, wtedy poziom drgań może wykazywać odchylenia. Może to wyraźnie zwiększyć obciążenie wibracjami przez cały okres pracy.

Dla dokładnego określenia obciążenia wibracjami należy uwzględnić również czasy, w których urządzenie jest wyłączone względnie jest włączone, lecz w rzeczywistości nie pracuje. Może to spowodować wyraźną redukcję obciążenia wibracyjnego w całym okresie pracy.

Należy wprowadzić dodatkowe środki zapobiegawcze celem ochrony obsługującego przed oddziaływaniem drgań, jak na przykład: konserwacja narzędzi roboczych i elektronarzędzi, nagrzanie rąk, organizacja przebiegu pracy.

OSTRZEŻENIE! Prosimy o przeczytanie wskazówek bezpieczeństwa i zaleceń, również tych, które zawarte są w załączonej broszurze. Błędy w przestrzeganiu poniższych wskazówek mogą spowodować porażenie prądem, pożar i/lub ciężkie obrażenia ciała.

Należy starannie przechowywać wszystkie przepisy i wskazówki bezpieczeństwa dla dalszego zastosowania.

INSTRUKCJE DOTYCZĄCE BEZPIECZEŃSTWA

Trzymaj urządzenie za izolowane powierzchnie chwytnie gdy wykonujesz roboty, w trakcie których narzędzie skrawające może natrafić na ukryte przewody prądowe lub na własny kabel. Kontakt z przewodami pod napięciem wprowadza również metalowe części urządzenia pod napięcie i prowadzi do porażenia prądem.

Stosować środki ochrony słuchu! Narażenie na hałas może spowodować utratę słuchu.

Podczas pracy należy zawsze nosić okulary ochronne. Zalecane jest także noszenie rękawic, mocnego, nie ślizgającego się obuwia oraz ubrania roboczego.

Podczas pracy elektronarzędzia nie wolno usuwać trocin ani drzazg.

Podczas pracy przy ścianach, sufitach i podłodze należy uważać na kable elektryczne, przewody gazowe i wodociągowe.

Przed przystąpieniem do jakichkolwiek prac na elektronarzędziu należy wyjąć wkładkę akumulatorową.

Zużytych akumulatorów nie wolno wrzucać do ognia ani traktować jako odpadów domowych. AEG oferuje ekologiczną utylizację zużytych akumulatorów.

Nie przechowywać akumulatorów wraz z przedmiotami metalowymi (niebezpieczeństwo zwarcia).

Akumulatory Systemu SE36 należy ładować wyłącznie przy pomocy ładowarek Systemu SE36. Nie ładować przy pomocy tych ładowarek akumulatorów innych systemów.

W skrajnych warunkach temperaturowych lub przy bardzo dużym obciążeniu może dochodzić do wycieku kwasu akumulatorowego z uszkodzonych baterii akumulatorowych. W przypadku kontaktu z kwasem akumulatorowym należy natychmiast przemyć miejsce kontaktu wodą z mydłem. W przypadku kontaktu z oczami należy dokładnie przepłukiwać oczy przynajmniej przez 10 minut i zwrócić się natychmiast o pomoc medyczną.

Przy pomocy ładowarki można ładować następujące wkładki akumulatorowe:

Napięcie	Typ akumulatora	Pojemność	Liczba celek
3,6 V	SB 3.6	≥ 1,4 Ah	3
3,6 V	SM 3.6	≥ 2,0 Ah	3
3,6 V	SL 3.6	≥ 1,5 Ah	1

Przy pomocy ładowarki nie ładować baterii jednorazowych.

Do ładowarki nie wolno wkładać żadnych przedmiotów metalowych (niebezpieczeństwo zwarcia).

Nie otwierać wkładek akumulatorowych i ładowarek. Przechowywać w suchych pomieszczeniach. Chronić przed wilgocią.

Nie dotykać urządzenia przedmiotami przewodzącymi prąd.

Nie wolno ładować uszkodzonych wkładek akumulatorowych. Uszkodzone wkładki należy niezwłocznie wymienić.

Przed każdym użyciem należy sprawdzić, czy nie występują oznaki uszkodzeń lub zmechanienia materiału na elektronarzędziu, kablu i wtyczce. Naprawę uszkodzonych części zlecać upoważnionym Przedstawicielom Serwisu.

Urządzenie nie jest przeznaczone do tego, aby było użytkowane przez osoby (łącznie z dziećmi) o ograniczonej zdolności psychicznej, czuciowej lub z niedostatecznym doświadczeniem lub wiedzą, chyba że będą one nadzorowane przez osobę dbającą o ich bezpieczeństwo i zostaną przez nią poinstruowane, jak należy obsługiwać urządzenie. Należy pilnować dzieci, aby wykluczyć możliwość ich zabawy z tym urządzeniem.

WARUNKI UŻYTKOWANIA

Uniwersalna wiertarko-wkrętarka akumulatorowa przeznaczona jest do wiercenia i wkręcania z dala od źródła zasilania sieciowego.

Ładowarka szybkoładująca ładuje wymienne akumulatory AEG (System SE36) od 3,6 V.

Produkt można użytkować wyłącznie zgodnie z jego normalnym przeznaczeniem.

PODŁĄCZENIE DO SIECI LA 036

Podłączać tylko do źródła zasilania prądem zmiennym jednofazowym i wyłączonego do napięciu podanym na tabliczce znamionowej. Możliwe jest również podłączenie do gniazdka bez uziemienia, ponieważ konstrukcja odpowiada II klasie bezpieczeństwa.

DEKLARACJA ZGODNOŚCI CE

Oświadczamy z pełną odpowiedzialnością, że produkt ten odpowiada wymaganiom następujących norm i dokumentów normatywnych: EN 60745, EN 55014-1, EN 55014-2, EN 60335, EN 61000-3-2, EN 61000-3-3, EN 50 366, i jest zgodny z wymaganiami dyrektyw: 98/37/WE, 2006/95/WE, 2004/108/EG.



Winnenden, 2009-05-19

Rainer Kumpf
Rainer Kumpf
Manager Product Development

ZALECENIA EKSPLOATACYJNE

Nigdy nie naciskać przełącznika zmiany biegów przy włączonej maszynie, lecz tylko w stanie zatrzymanym maszyny.

BATERIE AKUMULATOROWE

Nowe baterie akumulatorowe osiągają swoją pełną pojemność po 4 - 5 cyklach ładowania i rozładowywania. Akumulatory, które nie były przez dłuższy czas użytkowane, należy przed użyciem naładować.

W temperaturze powyżej 50°C następuje spadek osiągniętych wkładek akumulatorowej. Unikaj długotrwałego wystawienia na oddziaływanie ciepła lub promieni słonecznych (niebezpieczeństwo przegrzania).

Styki ładowarek i wkładek akumulatorowych należy utrzymywać w czystości

Uwagi ogólne dotyczące akumulatorów NiMH: Pojemność akumulatora spada w znacznym stopniu przy temperaturze poniżej - 10°C. Przechowywanie akumulatora przez dłuższy czas w temperaturze powyżej + 40°C może negatywnie wpłynąć na jego pojemność.

WŁAŚCIWOŚCI

Po założeniu baterii do gniazda ładowarki proces ładowania baterii rozpoczyna się automatycznie (ciągle świecenie żółtej lampki kontrolnej)

W przypadku włożenia gorącej lub zimnej baterii akumulatorowej do ładowarki (żółta lampka) ładowanie rozpocznie się

automatycznie po osiągnięciu przez baterię akumulatorową właściwej temperatury ładowania (NiCd/NiMH -5°C...50°C, Li-Ion 0°C...55°C).

Czas ten jest jednak zmienny i zależy od temperatury akumulatora, jego pojemności i stopnia naładowania.

Natychmiast po zakończeniu ładowania, ładowarka przelączy się w tryb doładowywania w celu zachowania pełnej pojemności (zielona świecenie żółtej lampki kontrolnej)

Nie ma konieczności wyjmowania baterii akumulatorowej po ładowaniu. Bateria może być przechowywana w ładowarce na stałe bez niebezpieczeństwa przeladowania.

Jeżeli migają obie diody elektroluminescencyjne, to albo akumulator nie jest całkowicie nasunięty albo w akumulatorze lub w ładowarce występuje błąd. Ze względów bezpieczeństwa należy natychmiast wyjąć akumulator i ładowarkę z eksploatacji i zlecić skontrolowanie ich przez punkt serwisowy firmy AEG.

UTRZYMANIE I KONSERWACJA

W przypadku uszkodzenia sznura połączeniowego, wymiany może dokonać wyłącznie warsztat naprawczy wyznaczony przez producenta. Związane jest to z koniecznością użycia narzędzi specjalistycznych.

Należy stosować wyłączanie wyposażenie dodatkowe i części zamienne AEG. W przypadku konieczności wymiany części, dla których nie podano opisu, należy skontaktować się z przedstawicielami serwisu AEG (patrz lista punktów obsługi gwarancyjnej/serwisowej).

Na życzenie można otrzymać rysunek widoku zespołu rozebranego. Przy zamawianiu należy podać dziesięciocyfrowy numer oraz typ elektronarzędzia umieszczony na tabliczce znamionowej. Zamówienia można dokonać albo u lokalnych przedstawicieli serwisu, albo bezpośrednio w AEG Elektrowerkzeuge, Max-Eyth-Straße 10, D-71364 Winnenden, Germany.

SYMBOLY



Przed uruchomieniem elektronarzędzia zapoznać się uważnie z treścią instrukcji.



Wyposażenie dodatkowe dostępne osobno.



Przed przystąpieniem do jakichkolwiek prac na elektronarzędziu należy wyjąć wkładkę akumulatorową.



Nie wyrzucaj elektronarzędzi wraz z odpadami z gospodarstwa domowego! Zgodnie z Europejską Dyrektywą 2002/96/WE w sprawie zużytego sprzętu elektrotechnicznego i elektronicznego oraz dostosowaniem jej do prawa krajowego, zużyte elektronarzędzia należy posegregować i utylizować w sposób przyjazny dla środowiska.



Zużytych akumulatorów nie wrzucać do ognia.



Nie wolno ładować uszkodzonych wkładek akumulatorowych. Uszkodzone wkładki należy niezwłocznie wymienić.



MŰSZAKI ADATOK	SE 3.6	LA 036
Furat- \varnothing acélba	3 mm	
Furat- \varnothing fába	6 mm	
Facsavár (előfűrés nélkül)	4,5 mm	
Üresjárat fordulatszám 1. sebességben	200 min ⁻¹	
Üresjárat fordulatszám 2. Fokozatban	600 min ⁻¹	
Forgatónyomaték		
furat fában *1	4,5 Nm	
furat acélban *1	6,5 Nm	
Csavarozási kapacitás egy töltéssel (2,0 Ah): *2		
4x30 puhafába	140	
Akkumulátor feszültség	3,6 V	
Súly akkumulátorral	0,575 kg	

Zaj-Vibráció-információ

A közölt értékek megfelelnek az EN 60 745 szabványnak.
A készülék munkahelyi zajszintje tipikusan:

 Hangnyomás szint (K=3dB(A))

 A zajszint munkavégzés közben átlépheti a 85 dB (A) értéket.

Hallásvédő eszköz használata ajánlott!

Összesített rezgésértékek (három irány vektorális összege) az EN 60745-nek megfelelően meghatározva.

ah rezgésemisszió érték	
Fűrés fémbe	2,8 m/s ²
K bizonytalanság	1,5 m/s ²
Csavarozás	< 2,5 m/s ²
K bizonytalanság	1,3 m/s ²

Feszültségtartomány	3,6 V
Töltőáram gyorsöltésnél NiCd / NiMH / Li-Ion	1,8 A
Szinten tartó töltés	50-100 mA
Töltési idő NiCd 1,4 Ah	ca. 45 min
Töltési idő NiMH 2,0 Ah	ca. 65 min
Töltési idő Li-Ion 1,5 Ah	ca. 60 min
Súly hálózati kábel nélkül	285 g

*1 Az AEG N 877318 szabvány szerint mérve

*2 A közölt adatok irányértékek (2. Fokozatban). Ezekről a tényleges értékek az anyag és a csavar minőségének függvényében eltérhetnek.

FIGYELMEZTETÉS

A jelen utasításokban megadott rezgésszint értéke az EN 60745-ben szabályozott mérési eljárásnak megfelelően került leérésre, és használható elektromos számszakkal történő összehasonlításhoz. Az érték alkalmas a rezgésterhelés előzetes megbecslésére is.

A megadott rezgésszint-érték az elektromos számszám legfőbb alkalmazásait reprezentálja. Ha az elektromos számszámot azonban más alkalmazásokhoz, eltérő használt számszakkal vagy nem elegendő karbantartással használják, a rezgésszint értéke eltérő lehet. Ez jelentősen megnövelheti a rezgésterhelést a munkavégzés teljes időtartama alatt.

A rezgésterhelés pontos megbecsléséhez azokat az időket is figyelembe kell venni, melyekben a készülék lekapcsolódik, vagy ugyan működik, azonban ténylegesen nincs használatban. Ez jelentősen csökkentheti a rezgésterhelést a munkavégzés teljes időtartama alatt.

Határozzon meg további biztonsági intézkedéseket a kezelő védelmére a rezgések hatása ellen, például: az elektromos és a használt számszám karbantartásával, a kezek melegen tartásával, a munkafolyamatok megszerzésével.

⚠ FIGYELMEZTETÉSI Olvasson el minden biztonsági útmutatást és utasítást, a mellékelt brosrában található is. A következőkben leírt előírások betartásának elmulasztása áramütésekhez, tűzhöz és/vagy súlyos testi sérülésekhez vezethet.
Kérjük a későbbi használatra gondosan őrizze meg ezeket az előírásokat.

KÜLÖNLEGES BIZTONSÁGI TUDNIVALÓK

A készüléket a szigetelt markolatfelületeket fogva tartsa, ha olyan munkálatokat végez, melyeknél a vágószerszám rejtett elektromos vezetékbe vagy saját vezetékbe ütközhet. Ha a berendezés egy feszültség alatt álló vezetékhez ér, a berendezés fémrészei szintén feszültség alá kerülhetnek és áramütéshez vezethetnek.

Viseljen hallásvédőt. A zajhatás a hallás elvesztését eredményezheti.

Munkavégzés közben ajánlatos védőszemüveget viselni. Védőkesztyű, zárt és csúszásmentes cipő, valamint védőkötény használata szintén javasolt.

A munka közben keletkezett forgácsokat, szilánkokat, törmelékét, stb. csak a készülék teljes leállása után szabad a munkaterületről eltávolítani.

Falban, földben, aljzatban történő fűrésnél fokozottan ügyelni kell az elektromos-, víz- és gázvezetésekre.

Karbantartás, javítás, tisztítás, stb. előtt az akkumulátort ki kell venni a készülékből.

A használt akkumulátort nem dobja tűzbe vagy a háztartási szemétkedőbe. Tájékozódjon a szakszerű megsemmisítés helyi lehetőségeiről.

Az akkumulátort nem tárolja együtt fém tárgyakkal. (Rövidzárlat veszélye).

Az "SE36" elnevezésű rendszerhez tartozó akkumulátorokat kizárólag a rendszerhez tartozó töltővel töltsse fel. Ne használjon más rendszerbe tartozó töltőt.

Akkumulátor sav folyhat a sérült akkumulátorból extrém terhelés alatt, vagy extrém hő miatt. Ha az akkumulátor sav a bőrére kerül azonnal mossa meg szappanos vízzel. Szembe kerülés esetén folyóvíz alatt tartsa a szemét minimum 10 percig és azonnal forduljon orvoshoz.

A töltővel a következő típusú akkuk tölthetők:

Feszültség	Akkumulátor típusa	Névleges kapacitás	Cellák száma
3,6 V	SB 3.6	≥ 1,4 Ah	3
3,6 V	SM 3.6	≥ 2,0 Ah	3
3,6 V	SL 3.6	≥ 1,5 Ah	1

A töltővel kizárólag utántöltésre alkalmas akkumulátort szabad tölteni.

Ügyeljen arra, hogy a töltő aknájába ne kerüljön semmilyen fém tárgy, mert ez rövidzárlatot okozhat.

Az akkumulátort, töltőt nem szabad megbontani és kizárólag száraz helyen szabad tárolni. Nedvességtől óvni kell.

Ezért nem szabad a készülékbe nyúlni olyan tárggyal, amely az áramot vezeti.

Sérült akkumulátort nem szabad tölteni, hanem ki kell cserélni.

Használat előtt a készüléket, hálózati csatlakozó- és hosszabítókábeleket, valamint a csatlakozódugót sérülés és esetleges elhasználódás szempontjából felül kell vizsgálni és szükség esetén szakemberrel meg kell javíttatni.

A készüléket nem korlátozott fizikai, érzékszervi vagy szellemi képességekkel rendelkező, ill. tapasztalattal és/vagy ismeretekkel nem rendelkező személyek (beleértve a gyermekeket is) általi használatra tervezték, hacsak nem azok egy a biztonságukért illetékes személy felügyelete alatt állnak, vagy utasításokat kaptak e személytől a készülék kezelésére vonatkozóan.

A gyermekeket felügyelni kell annak biztosítására, hogy ne játszanak a készülékkel.

RENDELTESSZERŰ HASZNÁLAT

Az akkumulátoros fűrés-csavarozó készülék általánosan használható fűrészhöz és csavarozáshoz.

A gyorsöltővel a „System SE36” rendszerbe tartozó 3,6 V feszültségű akkumulátorokat lehet feltölteni.

A készüléket kizárólag az alábbiakban leírtaknak megfelelően szabad használni.

HÁLÓZATI CSATLAKOZTATÁS LA 036

A készüléket csak egyfázisú váltóáramra és a teljesítménytáblán megadott hálózati feszültségre csatlakoztassa. A csatlakoztatás védőérintkező nélküli dugaszolóaljzatokra is lehetséges, mivel a készülék felépítése II. védettségi osztályú.

CE-AZONOSSÁGI NYILATKOZAT

Teljes felelősségünk tudatában kijelentjük, hogy jelen termék megfelel a következő szabványoknak vagy szabványossági dokumentumoknak: EN 60745, EN 55014-1, EN 55014-2, EN 60335, EN 61000-3-2, EN 61000-3-3, EN 50366, a 98/37/EK, 2006/95/EK, 2004/108/EK irányelvek határozataival egyetértésben.



Winnenden, 2009-05-19

Rainer Kumpf
Manager Product Development

ÚTMUTATÁSOK A MUNKAVÉGZÉSHEZ

Ha a gép be van kapcsolva, soha ne használjuk a sebességkapcsolót, az csak leállítás után használható.

AKKUK

Új akkumulátor a teljes kapacitást 4-5 töltési/lemerülési ciklus után éri el. A hosszabb ideig üzemben kívül lévő akkumulátort használat előtt ismétellen fel kell tölteni.

50°C feletti hőmérsékletnél csökkenthet az akkumulátor teljesítménye. Kerülni kell a túlzottan meleg helyen vagy napon történő hosszabb idejű tárolást.

A töltő és az akkumulátor csatlakozóit mindig tisztán kell tartani.

Általános tudnivalók a NiMH-akkukhoz:

A teljesítképesség -10°C hőmérséklet alatt erősen korlátozott. Magasabb, mint +40°C hőmérséklet kedvezőtlenül befolyásolhatja az akkumulátorok kapacitását.

JELLEGZETESSÉGEK

Miután az akkumulátort behelyezte a töltő nyílásba, az akkumulátor automatikusan feltöltődik. (a sárga kontroll lámpa folyamatosan világít)

Ha egy meleg, vagy hideg akkumulátort helyez a töltőre (sárga lámpa), a töltés automatikusan elkezdődik, miután az akkumulátor elérte a megfelelő töltési hőmérsékletet (NiCd/NiMH -5°C...50°C, Li-Ion 0°C...55°C).

A töltési idő az akkumulátor hőmérsékletétől, a töltés szükséges gyakoriságától és az akkumulátor kapacitásától függően változhat.

Ha a töltés befejeződött, a töltő átkapcsol a "lassú" töltésre, hogy így elérje az akkumulátor teljes kapacitását (a zöld kontroll lámpa folyamatosan világít)

A töltés befejeződése után nem szükséges az akkumulátort eltávolítani. Az akkumulátort tárolhatja ideiglenesen a töltőn a töltőtől veszélye nélkül.

Ha mindkét LED villog, akkor vagy az akku nincs teljesen helyére tolv, vagy hiba áll fenn az akkunál vagy a töltőkészülékélnél. Biztonsági okokból a töltőkészüléket és az akkut azonnal üzemben kívül kell helyezni és egy AEG ügyfélszolgálatnál ellenőriztetni kell őket.

KARBANTARTÁS

A sérült hálózati csatlakozókábel az illetékes AEG szervizzel kell kicseréltetni, miután a cseréhez speciális számszám szükséges.

Javitáshoz, karbantartáshoz kizárólag AEG alkatrészeket és tartozékokat szabad használni. A készülék azon részeinek cseréjét, amit a kezelési útmutató nem engedélyez, kizárólag a javításra feljogosított márkaszerviz végezheti. (Lásd a szervizlistát)

Szükség esetén a készülékek robbantott ábráját - a készülék típusa és tízjegyű azonosító száma alapján a területileg illetékes AEG márkaszerviztől vagy közvetlenül a gyártótól (AEG Elektrowerkeuge, Max-Eyth-Straße 10, D-71364 Winnenden, Germany) lehet kérni.

SZIMBÓLUMOK



Kérjük alaposan olvassa el a tájékoztatót mielőtt a gépet használja.



Azokat a tartozékokat, amelyek gyárilag nincsenek a készülékhez mellékelve, külön lehet megrendelni.



Karbantartás, javítás, tisztítás, stb. előtt az akkumulátort ki kell venni a készülékből.



Az elektromos kéziszerszámokat nem dobja a háztartási szemétkedőbe! A használt villamos és elektronikai készülékekről szóló 2002/96/EK irányelv és annak a nemzeti jogba való átültetése szerint az elhasznált elektromos kéziszerszámokat külön kell gyujteni, és környezetbarát módon újra kell hasznosítani.



A csereakkut tilos tűzbe dobni!



Sérült akkumulátort nem szabad tölteni, hanem ki kell cserélni.



TEHNIČNI PODATKI	SE 3.6	LA 036
Vrtalni \varnothing v jeklu	3 mm	
Vrtalni \varnothing v lesu	6 mm	
lesni vijaki (brez predhodnega vrtanja).....	4,5 mm	
Število vrtljajev v prostem teku v 1. prestavi.....	200 min ⁻¹	
Število vrtljajev v prostem teku v 2. prestavi.....	600 min ⁻¹	
Vrtljni moment		
mehak padec vijaka *1	4,5 Nm	
trd padec vijaka *1	6,5 Nm	
Kapaciteta zavijanja z 1 polnjenjem akumulatorja (2,0 Ah): *2		
4x30 v mehkem lesu	140	
Napetost izmenljivega akumulatorja.....	3,6 V	
Teža zamenljivega akumulatorja	0,575 kg	

Informacije o hrupnosti/vibracijah

Vrednosti merjenja ugotovljene ustrezno z EN 60 745.
Raven hrupnosti naprave ovrednotena z A, znaša tipično:
Nivo zvočnega tlaka (K = 3 dB(A))..... 56 dB (A)
Stopnja hrupa pri delu lahko presega 85 dB (A).
Nosite zaščito za sluh!

Skupna vibracijska vrednost (Vektorska vsota treh smeri) določena ustrezno EN 60745.
Vibracijska vrednost emisij ah

Vrtanje v kovine	2,8 m/s ²
Nevarnost K.....	1,5 m/s ²
Vijačenje.....	< 2,5 m/s ²
Nevarnost K.....	1,3 m/s ²

Napetostno področje	3,6 V
Polnilni tok pri hitrem polnjenju NiCd / NiMH / Li-Ion.....	1,8 A
Ohranitveno polnjenje.....	50-100 mA
Čas polnjenja NiCd 1,4 Ah.....	ca. 45 min
Čas polnjenja NiMH 2,0 Ah.....	ca. 65 min
Čas polnjenja Li-Ion 1,5 Ah.....	ca. 60 min
Teža brez omrežnega kabla	285 g

*1 Izmerjeno po AEG normi N 877318

*2 Navedene vrednosti so orientacijske vrednosti (2. prestavi). Dejanske vrednosti lahko odstopajo od tega, odvisno od materiala in kakovosti vijakov.

OPOZORILO

V teh navodilih navedena raven treslajev je bila izmerjena po EN60745 normiranem merilnem postopku in lahko služi medsebojni primerjavi električnih orodij. Prav tako je primeren za predhodno oceno obremenitve s treslaji.
Navedena raven treslajev navaja najpomembnejše vrste rabe električnega orodja. Kadar se električno orodje uporablja za drugačne namene, z odstopajočimi orodji ali pa z nezadostnim vzdrževanjem, lahko raven treslajev tudi odstopa. Le to lahko čez celoten delovni čas znatno zviša obremenitev s tresenjem.

Za natančno oceno obremenitve s treslaji naj bi se upošteval tudi čas v katerem je naprava izklopljena ali sicer teče, vendar dejansko ni v rabi. Le to lahko obremenitev s treslaji čez celoten delovni čas znatno zmanjša.

Za zaščito upravljalca pred učinkom treslajev uvedite dodatne zaščitne ukrepe npr.: Vzdrževanje električnega orodja in orodja, delo s toplimi rokami, organizacija delovnih potekov.

⚠ OPOZORILO! Preberite vsa varnostna opozorila in navodila, tudi tista v priloženi brošuri. Napake zaradi neupoštevanja spodaj navedenih opozoril in napotil lahko povzročijo električni udar, požar in/ali težke telesne poškodbe.
Vsa opozorila in napotila shranite, ker jih boste v prihodnje še potrebovali.

SPECIALNI VARNOSTNI NAPOTKI

Kadar izvajate dela pri katerih lahko orodje zadane prikrto električno napeljavno ali lasten vodnik, je napravo potrebno držati za izolirane prijemalne površine. Stik z električnim vodnikom, ki je pod napetostjo, povzroči napetost tudi v kovinskih delih naprave, kar ima za posledico električni udar.

Nosite zaščito za sluh. Razvijanje hrupa lahko povzroči izgubo sluha.

Pri delu s strojem vedno nosite zaščitna očala. Priporočamo zaščitne rokavice, trdno obuvalo, varno proti drsenju ter predpasnik.

Trske ali iveri se pri tekočem stroju ne smejo odstranjevati.

Prah, ki nastaja pri delu, je pogosto zdravju škodljiv in naj ne zaide v telo. Nosite ustrezno masko proti prahu.

Pred deli na stroju izvlecite izmenljivi akumulator.

Izrabljenih izmenljivih akumulatorjev ne mečite v ogenj ali v gospodinjne odpadke. AEG nudi okolju prijazno odlaganje starih

izmenljivih akumulatorjev; prosimo povprašajte vašega strokovnega trgovca.

Izmenljivih akumulatorjev ne hranite skupaj s kovinskimi predmeti (nevarnost kratkega stika).

Izmenljive akumulatorje sistema SE36 polnite samo s polnilnimi aparati sistema SE36. Ne polnite nobenih akumulatorjev iz drugih sistemov.

Pod ekstremno obremenitvijo ali ob ekstremni temperaturi iz poškodovanega izmenljivega akumulatorja lahko izteka akumulatorska tekočina. Po stiku z akumulatorsko tekočino prizadeto mesto takoj izperite z vodo in milom. Po stiku z očmi takoj najmanj 10 minut dolgo temeljito izpirajte in nemudoma obiščite zdravnika.

S polnilnim aparatom lahko polnite naslednje izmenljive akumulatorje:

Napetost	Tip akumulatorja	Nazivna kapaciteta	Število celic
3,6 V	SB 3.6	≥ 1,4 Ah	3
3,6 V	SM 3.6	≥ 2,0 Ah	3
3,6 V	SL 3.6	≥ 1,5 Ah	1

S polnilnim aparatom ne smete polniti baterij, ki niso predvidene za polnjenje.

V odprtino za nameščanje izmenljivih akumulatorjev na polnilnih aparatih ne smejo zaiti nikakršni kovinski deli (nevarnost kratkega stika).

Izmenljivih akumulatorjev in polnilnih aparatov ne odpirajte in jih hranite samo v suhih prostorih. Zaščitite jih pred mokroto.

V napravo ne segajte s predmeti, ki so električno prevodni.

Ne polnite poškodovanega izmenljivega akumulatorja, ampak ga takoj zamenjajte.

Pred vsako uporabo kontrolirajte napravo, priključni kabel, AkkuPack, kabel za podaljšek in vtičak glede poškodb in obrabe. Poskrbite, da poškodovane dele popravijo izključno strokovnjak.

Ta naprava ni namenjena uporabi s strani oseb (vključujoč otroke) z omejenimi fizičnimi, senzoričnimi ali duševnimi zmogljivostmi ali s pomanjkanjivimi izkušnjami in/ali znanji razen, če so pod nadzorom pristojne osebe ali so od te prejeli navodila kako je potrebno napravo uporabljati.

Otroke je potrebno nadzorovati, da se zagotovi, da se z napravo ne bodo igrali.

UPORABA V SKLADU Z NAMEDBOSTJO

Akumulatorski vrtljnik – izvijač je univerzalno uporaben za vrtanje in vijačenje neodvisno od omrežnega priključka.

Aparat za hitro polnjenje polni AEG izmenljive akumulatorje sistema SE36 od 3,6 V.

Ta naprava se sme uporabiti samo v skladu z namembnostjo uporabiti samo za navede namene.

OMREŽNI PRIKLJUČEK LA 036

Priključite samo na enofazni izmenični tok in samo na omrežno napetost, ki je označena na tipski ploščici. Priključitev je možna tudi na vtičnice brez zaščitnega kontakta, ker obstaja nadgradnja zaščitnega razreda.

CE-IZJAVA O KONFORMNOSTI

Z lastno odgovornostjo izjavljamo, da je ta produkt skladen z naslednjimi normami ali normativnimi dokumenti: EN 60745, EN 55014-1, EN 55014-2, EN 60335, EN 61000-3-2, EN 61000-3-3, EN 50 366 v skladu z določili smernic 98/37/EC, 2006/95/EC, 2004/108/EC.



Winnenden, 2009-05-19

Rainer Kumpf

Rainer Kumpf
Manager Product Development

NAPOTKI ZA DELO

Stikala za brzine nikoli ne aktivirajte pri vključenem stroju, ampak samo v mirovanju.

AKUMULATORJI

Novi izmenljivi akumulatorji dosežejo svojo polno kapaciteto po 4 – 5 ciklih polnjenja in praznjenja. Izmenljive akumulatorje, ki jih daljši čas niste uporabljali, pred uporabo naknadno napolnite.

Temperatura nad 50°C zmanjšuje zmogljivost izmenljivega akumulatorja. Izogibajte se daljšemu segrevanju zaradi sončnih žarkov ali gretja.

Pazite, da ostanete priključni kontakti na polnilnem aparatu in izmenljivem akumulatorju čisti.

Splošni napotki o NiMH akumulatorjih:
Zmogljivost je pri temperaturah pod -10°C samo omejeno podana. Dolgoročno skladiščenje pri temperaturah nad + 40°C ima lahko negativne posledice za kapaciteto akumulatorja.

ZNAČILNOSTI

Po namestitvi izmenljivega akumulatorja v odprtino aparata za polnjenja se izmenljivi akumulator avtomatsko polni (rumena svetleča dioda – LED – trajno sveti).

Če se v polnilni aparat vstavi pretopen ali premrzlel izmenljivi akumulator (rdeča svetleča dioda – LED – utripa), se postopek polnjenja začne avtomatsko takoj, ko izmenljivi akumulator doseže pravilno temperaturo za polnjenje (NiCd/NiMH -5°C...50°C, Li-Ion 0°C...55°C).

Čas polnjenja je lahko različen, odvisno od temperature akumulatorja, potrebne količine polnjenja in kapacitete akumulatorja.

Pri popolnoma napolnjenem izmenljivem akumulatorju aparat preklopi na ohranitev polnjenja, da se ohrani najvišja koristna kapaciteta akumulatorja (zelená svetleča dioda – led – trajno sveti).

Izmenljivega akumulatorja po polnjenju ni potrebno vzeti iz polnilnega aparata. Izmenljivi akumulator lahko trajno ostane v polnilnem aparatu. Pri tem se ne more prekomerno napolniti in je tako vedno pripravljen za uporabo.

V kolikor obe LED utripata, akumulator ni povsem odložen ali pa je prisotna napaka na akumulatorju ali polnilcu. Iz varnostnih razlogov takoj prenehamo z uporabo polnilca in akumulatorja, ter ju pustimo pregledati v enem izmed AEG servisov.

VZDRŽEVANJE

Če je omrežni priključek poškodovan, ga mora zamenjati AEG servisna služba, ker je za to potrebno posebno orodje.

Uporabljajte samo AEG pribor in nadomestne dele. Poskrbite, da sestavne dele, katerih zamenjava ni opisana, zamenjajo v AEG servisni službi (upoštevajte brošuro Garancija/Naslovi servisnih služb).

Po potrebi se lahko pri vaši servisni službi ali direktno pri AEG Elektrowerkezeuge naroči eksplozijska risba naprave ob navedbi tipa stroja in desetmestne številke s tipске ploščice AEG Elektrowerkezeuge, Max-Eyth-Straße 10, D-71364 Winnenden, Germany.

SIMBOLI



Prosimo, da pred uporabo pozorno preberete to navodilo za uporabo.



Oprema – ni vsebovana v obsegu dobave, priporočeno dopolnilo iz programa opreme.



Pred vsemi deli na stroji odstranite izmenljivi akumulator.



Elektricnega orodja ne odstranjujte s hišnimi odpadki! V skladu z Evropsko direktivo 2002/96/EC o odpadnih električni in elektronski opremi in z njenim izvajanjem v nacionalni zakonodaji je treba električna orodja ob koncu njihove življenjske dobe loceno zbirati in jih predati v postopek okolju prijaznega recikliranja.



Zamenljivih akumulatorjev ne mečite v ogenj.



Ne polnite poškodovanega izmenljivega akumulatorja, ampak ga takoj zamenjajte.



TEHNIČKI PODACI	SE 3.6	LA 036
Bušenje-Ø u čelik	3 mm	
Bušenje-Ø u drvo	6 mm	
Vijci za drvo (bez predbušenja)	4,5 mm	
Broj okretaja praznog hoda u 1. Brzini	200 min ⁻¹	
Broj okretaja praznog hoda u 2. Brzini	600 min ⁻¹	
Okretni moment		
meki slučaj zavrtnja *1	4,5 Nm	
tvrdi slučaj zavrtnja *1	6,5 Nm	
Kapacitet zavrtnja sa 1 punjenjem baterije (2,0 Ah): *2		
4x30 u mekano drvo	140	
Napon baterije za zamjenu	3,6 V	
Težina baterije za zamjenu	0,575 kg	

Informacije o buci/vibracijama

Mjerne vrijednosti utvrđene odgovarajuće EN 60 745.

A-ocijenjeni nivo buke aparata iznosi tipično:

nivo pritiska zvuka (K=3dB(A))..... 56 dB (A)

Nivo buke može kod rada prekoračiti 85 dB (A).

Nositi zaštitu sluh!

Ukupne vrijednosti vibracije (Vektor suma tri smjera) su odmjerene odgovarajuće EN 60745

Vrijednost emisije vibracije ah

Bušenje metala.....	2,8 m/s ²
Nesigurnost K.....	1,5 m/s ²
Vijčanje.....	< 2,5 m/s ²
Nesigurnost K.....	1,3 m/s ²

Područje napona	3,6 V
Struja punjenja kod brzog punjenja NiCd / NiMH / Li-Ion	1,8 A
Održanje punjenja	50-100 mA
Vrijeme punjenja NiCd 1,4 Ah	ca. 45 min
Vrijeme punjenja NiMH 2,0 Ah	ca. 65 min
Vrijeme punjenja Li-Ion 1,5 Ah	ca. 60 min
Težina bez mrežnog kabela	285 g

*1 mjereno po AEG normi N 877318

*2 Navedene vrijednosti su orijentirajuće vrijednosti (2. Brzini). Stvarne vrijednosti mogu ovisno o materijalu i kakvoći vijka od toga odstupati.

UPOZORENJE

Ova u ovim uputama navedena razina titranja je bila izmjerena odgovarajuće jednom u EN 60745 normiranom mjernom postupku i može se upotrijebiti za usporedbu električnog alata međusobno. Ona je prikladna i za privremenu procjenu titrajnog opterećenja.

Navedena razina titranja reprezentira glavne primjene električnog alata. Ukoliko se električni alat upotrebljava u druge svrhe sa odstupajućim primijenjenim alatima ili nedovoljnim održavanjem, onda razina titranja može odstupati. To može titrajno opterećenje kroz cijeli period rada bitno povisiti.

Za točnu procjenu titrajnog opterećenja se moraju uzeti u obzir i vremena u kojima je uređaj isključen ili u kojima doduše radi, ali nije i stvarno u upotrebi. To može titrajno opterećenje bitno smanjiti za vrijeme cijelog radnog perioda.

Utvrđite dodatne sigurnosne mjere za zaštitu poslužioaca protiv djelovanja titranja kao npr.: Održavanje električnih alata i upotrebljenih alata, održavanje topline ruku, organizacija i radne postupke.

⚠ UPOZORENJE! Pročitajte sigurnosne upute i uputnice, isto i one iz priložene brošure. Ako se ne bi poštivale napomene o sigurnosti i upute to bi moglo uzrokovati strujni udar, požar i/ili teške ozljede.
Sačuvajte sve napomene o sigurnosti i upute za buduću primjenu.

SPECIJALNE SIGURNOSNE UPUTE

Držite spravu na izoliranim držačkim površinama kada izvodite radove kod kojih rezački alat može pogoditi skrivene vodove struje ili osobni kabel. Kontaktom s vodovima pod naponom, pod napon će se staviti i metalni dijelovi uređaja, što može dovesti do električnog udara.

Nosite zaštitu za sluh. Djelovanje buke može dovesti do gubitka sluha.

Kod radova sa strojem uvijek nositi zaštitne naočale. Zaštitne rukavice, čvrste i protiv klizanja sigurne cipele kao i pregača se preporučuju.

Piljevina ili iverje se za vrijeme rada stroja ne smiju odstranjivati.

Kod radova na zidu, stropu ili podu paziti na električne kablove kao i vodove plina i vode.

Prije svih radova na stroju izvaditi bateriju za zamjenu.

Istrošene baterije za zamjenu ne bacati u vatru ili u kućno smeće. AEG nudi mogućnost uklanjanja starih baterija odgovarajuće okolini; upitajte molimo Vašeg stručnog trgovca.

Baterije za zamjenu ne čuvati skupa sa metalnim predmetima (opasnost od kratkog spoja).

Baterije sistema SE36 puniti samo sa uređajem za punjenje sistema SE36. Ne puniti baterije iz drugih sistema.

Pod ekstremnim opterećenjem ili ekstremne temperature može iz oštećenih baterija iscuriti baterijska tekućina. Kod dodira sa baterijskom tekućinom odmah isprati sa vodom i sapunom. Kod kontakta sa očima odmah najmanje 10 minuta temeljno ispirati i odmah potražiti liječnika.

Sa uređajem za punjenje se mogu puniti sljedeće baterije:

Napon	Tip baterije	Nominalni kapacitet	Broj ćelija
3,6 V	SB 3.6	≥ 1,4 Ah	3
3,6 V	SM 3.6	≥ 2,0 Ah	3
3,6 V	SL 3.6	≥ 1,5 Ah	1

Sa uređajem za punjenje se ne smiju puniti baterije koje nisu sposobne za punjenje.

U prostor za punjenje baterija u uređaju za punjenje ne smiju dospjeti metalni dijelovi (opasnost od kratkog spoja).

Baterije za zamjenu i uređaje za punjenje ne otvarati i čuvati ih samo u suhim prostorijama. Čuvati protiv vlage.

U uređaj ne sezati predmetima koji sprovode struju.

Ne puniti oštećenu bateriju za zamjenu, nego ovu odmah promijeniti.

Prije svake upotrebe aparat, priključni kabel, svežanj baterije, produžni kabel i utikač provjeriti zbog oštećenja i starenja. Oštećene dijelove dati popraviti od strane stručnjaka.

Ovaj aparat nije određen za korištenje od strane osoba (uključivši djecu) sa ograničenim fizičkim, sensorskim ili duševnim sposobnostima ili zbog manjkavog iskustva i/ili znanja, osim ako se ove nadziru od strane jedne osobe, koja je nadležna za njihovu sigurnost, ili su od ove osobe, koja je nadležna za njihovu sigurnost, poučene, kako se ovaj aparat koristi.

Djeca se moraju nadzirati kako bi se osiguralo, da se ne igraju sa ovim aparatom.

PROPIŠNA UPOTREBA

Baterijska bušilica-zavrtač je univerzalno upotrebljiva za bušenje i zavrtnje, neovisno o priključku na mrežu.

Aparat za brzo punjenje puni AEG baterije za zamjenu, sistema SE36 od 3,6 V.

Ovaj aparat se smije upotrijebiti samo u određene svrhe kao što je navedeno.

PRIKLJUČAK NA MREŽU LA 036

Priključiti samo na jednofaznu naizmjeničnu struju i samo na napon struje, naveden na pločici snage. Priključak je moguć i na utičnice bez zaštitnog kontakta, jer postoji dogradnja zaštitne klase II.

CE-IZJAVA KONFORMNOSTI

Izjavljujemo na osobnu odgovornost, da se ovaj proizvod slaže sa sljedećim normama ili normativnim dokumentima: EN 60745, EN 55014-1, EN 55014-2, EN 60335, EN 61000-3-2, EN 61000-3-3, EN 50 366, po odredbama smjernica 98/37/EC, 2006/95/EC, 2004/108/EC.



Winnenden, 2009-05-19

Rainer Kumpf

Rainer Kumpf
Manager Product Development

RADNE UPUTE

Predbirac brzine nemojte nikada uporabiti uz uključen stroj, nego samo u stanju mirovanja stroja.

BATERIJE

Nove baterije postižu svoj puni kapacitet nakon 4-5 ciklusa punjenja i pražnjenja. Baterije koje duže vremena nisu korištene, prije upotrebe napuniti.

Temperatura od preko 50°C smanjuje učinak baterija. Duže zagrijavanje od strane sunca ili grijanja izbjeći.

Priključne kontakte na uređaju za punjenje i baterijama držati čistima.

Opće upute o NiMH-baterijama:

Radna sposobnost kod temperatura ispod -10°C postoji samo ograničeno. Dugovremeno skladištenje kod temperatura većih od +40°C može djelovati negativno na kapacitet baterija.

OBILJEŽJA

Nakon umetanja baterija za zamjenu u prostor za punjenje u aparat za punjenje, baterija se automatski puni (žuti LED stalno gori).

Ako se u aparat za punjenje umetne pretopla ili prehladna baterija za zamjenu (crveni LED treperi), počinje postupak punjenja automatski, čim je baterija za zamjenu postigla korektnu temperaturu punjenja (NiCd/NiMH -5°C...50°C, Li-Ion 0°C...55°C).

Vrijeme punjenja može ovisno o temperaturi baterije, potrebne količine punjenja i kapaciteta baterije varirati.

Kod potpunog napunjenja baterije za zamjenu aparat preklapa na održanje punjenja zbog najvećeg korisnog kapaciteta baterije (zeleni LED stalno gori).

Baterija za zamjenu se nakon punjenja ne treba izvaditi iz aparata za punjenje. Baterija za zamjenu može stalno ostati u aparatu za punjenje. Kod toga se ona ne može prepuniti i ostaje uvijek spremna za upotrebu.

Ako trepte oba LED-a, onda akumulator ili nije sasvim navučen ili na akumulatoru ili punjaču postoji jedna greška. Punjač i akumulator iz sigurnosnih razloga odmah staviti izvan pogona i dati na provjeru jednom od AEG servisa.

ODRŽAVANJE

Ako je vod priključka struje oštećen, onda ovaj mora od strane jedne AEG servisne službe biti zamijenjen, jer je u svezi toga potreban specijalan alat.

Primijeniti samo AEG opremu i rezervne dijelove. Sastavne dijelove, čija zamjena nije opisana, dati zamijeniti kod jedne od AEG servisnih službi (poštivati brošuru Garancija/Adrese servisa).

Po potrebi se može zatražiti crtež eksplozije aparata uz davanje podataka o tipu stroja i desetoznamenkastog broja na pločici snage kod Vaše servisne službe ili direktno kod AEG Elektrowerkzeuge, Max-Eyth-Straße 10, D-71364 Winnenden, Germany.

SIMBOLI



Molimo da pažljivo pročitate uputu o upotrebi prije puštanja u rad.



Oprema - u opsegu isporuke nije sadržana, preporučena dopuna iz promgrama opreme.



Prije svih radova na stroju izvaditi bateriju za zamjenu.



Elektricne alate ne odlažite u kućne otpatke! Prema Europskoj direktivi 2002/96/EC o starijim električnim i elektroničkim strojevima i preuzimanju u nacionalno pravo moraju se istrošeni električni alati sakupljati odvojeno i odvesti u pogon za reciklažu.



Rezervne baterije ne bacati u vatru.



Ne puniti oštećenu bateriju za zamjenu, nego ovu odmah promijeniti.



Urbšanas diametrs tēraudā	3 mm
Urbšanas diametrs kokā	6 mm
Koka skrūves (bez iepriekšējas urbšanas)	4,5 mm
Apgrīzieni tukšgaitā 1. ātrumā	200 min ⁻¹
Apgrīzieni tukšgaitā 2. ātrumā	600 min ⁻¹
Griezies moments	
paredzēta mīkstum skrūvējamajam materiālam *1	4,5 Nm
paredzēta cietam skrūvējamajam materiālam *1	6,5 Nm
Skrūvēšanas jauda vienam akumulatoram (2,0 Ah): *2	
4x30 mīkstkokā	140
Akumulatora spriegums	3,6 V
Svars ar akumulatoru	0,575 kg

Trokšņu un vibrāciju informācija

Vērtības, kas noteiktas saskaņā ar EN 60 745.
 A novērtētās aparātūras skaņas līmenis ir:
 trokšņa spiediena līmenis (K=3 dB(A)) 56 dB (A)
 Trokšņa līmenis darba laikā var pārsniegt 85 dB (A).
Nēsāt trokšņa slāpētāju!

Svārstību kopējā vērtība (Trīs virzienu vektoru summa) tiek noteikta atbilstoši EN 60745.
 svārstību emisijas vērtība ah

Metāla urbis	2,8 m/s ²
Nedrošība K	1,5 m/s ²
Skrūvēšana	< 2,5 m/s ²
Nedrošība K	1,3 m/s ²

Sprieguma amplitūda	3,6 V
Ātrās uzlādes strāva NiCd / NiMH / Li-Ion	1,8 A
Saglabāšanas lādēšana	50-100 mA
Lādēšanas laiks NiCd 1,4 Ah	ca. 45 min
Lādēšanas laiks NiMH 2,0 Ah	ca. 65 min
Lādēšanas laiks Li-Ion 1,5 Ah	ca. 60 min
Svars bez tīkla kabeļa	285 g

*1 mērīts saskaņā ar firmas AEG normu N 877318
 *2 Minētās vērtības ir orientējoši lielumi (2. ātrumā). Faktiskās vērtības var atšķirties atkarībā no materiāla un skrūvju kvalitātes.

UZMANĪBU

Instrukcijā norādītā svārstību robežvērtība ir izmērīta mērījumu procesā, kas veikts atbilstoši standartam EN 60745, un to var izmantot elektroinstrumentu savstarpējai salīdzināšanai. Tā ir piemērota arī svārstību noslogojuma pagaidu izvērtēšanai.

Norādītā svārstību robežvērtība ir reprezentatīva elektroinstrumenta pamata pielietojuma jomām. Tomēr, ja elektroinstrumenti tiek pielietoti citās jomās, papildus izmantojot neatbilstošus elektroinstrumentus vai pēc nepietiekamas tehniskās apkopes, tad svārstību robežvērtība var atšķirties. Tas var ievērojami palielināt svārstību noslogojumu visa darba laikā.

Precīzai svārstību noslogojuma noteikšanai, ir jāņem vērā arī laiks, kad ierīces ir izslēgta vai arī ir ieslēgta, tomēr faktiski netiek lietota. Tas var ievērojami samazināt svārstību noslogojumu visa darba laikā.

Integrējiet papildus drošības pasākumus pret svārstību ietekmi lietotājam, piemēram: elektroinstrumentu un darba instrumentu tehniskā apkope, roku siltuma uzturēšana, darba procesu organizācija.

⚠ UZMANĪBU! Izlasiet visu drošības instrukciju un lietošanas pamācību klāt pievienotajā bukletā. Seit sniegto drošības noteikumu un norādījumu neievērošana var izraisīt aizdegšanos un būt par cēloni elektriskajam triecienam vai nopietnam savainojumam.
Pēc izlasīšanas uzglabājiet šos noteikumus turpmākai izmantošanai.

SPECIĀLIE DROŠĪBAS NOTEIKUMI

Lerīci turiet aiz izolētiem rokturiem, ja veicat darbus, kuros griešanas darbiem izmantojami instrumenti var skart paslēptus elektrovadus vai pats savu kabeli. Asmenim saskaroties ar vadiem, kuriem tiek pievadīts fāzes spriegums, oīs spriegums nonāk arī uz instrumenta korpusa strāvu vadobājam daļām un var izraisīt elektrisko triecienu.

Nēsājiet ausu aizsargus. Trokšņa iedarbības rezultātā var rasties dzirdes traucējumi.

Strādājot ar mašīnu, vienmēr jānēsā aizsargbrilles. Tiek ieteikts nēsāt arī aizsargcimdus, slēgtus, nesliedošus apavus un priekšautu.

Skaidas un atlūzas nedrīkst ņemt ārā, kamēr mašīna darbojas.

Veicot darbus sienā, griestu un grīdas apvidū, vajag uzmanīties, lai nesabojātu elektriskos, gāzes un ūdens vadus.

Pirms mašīnai veikt jebkāda veida apkopes darbus, ir jāizņem ārā akumulators.

Izmantotos akumulus nedrīkst mest ugunī vai parastajos atkritumos. Firma AEG piedāvā iespēju vecos akumulatorus savākt apkārtējo vidi saudzējošā veidā; jautājiet specializētā veikalā.

Akumulatorus nav ieteicams glabāt kopā ar metāla priekšmetiem (iespējams īsslēgums).

SE36 sistēmas akumulatorus lādēt tikai ar SE36 sistēmas lādētājiem. Nedrīkst lādēt citus akumulatorus no citām sistēmām.

Pie ārkārtas slodzes un ārkārtas temperatūrām no bojātā akumulatora var iztectē akumulatora šķidrums. Ja nonākat saskarsmē ar akumulatora šķidrumu, saskarsmes vieta nekavējoties jānomazgā ar ūdeni un ziepēm. Ja šķidrums nonācis acīs, acis vismaz 10 min. skalot un nekavējoties konsultēties ar ārstu.

Ar lādētāju var uzlādēt sekojošus akumulatorus:

Spriegums	Akumulatora tips	Nominālā kapacitāte	Elementu skaits
3,6 V	SB 3.6	≥ 1,4 Ah	3
3,6 V	SM 3.6	≥ 2,0 Ah	3
3,6 V	SL 3.6	≥ 1,5 Ah	1

Ar lādētāju nedrīkst lādēt nelādējamus akumulatorus Jāuzmanās, lai akumulatoru lādētājā nenokļūtu nekādi metāla priekšmeti (iespējams īsslēgums).

Akumulatorus un lādētājus nedrīkst taisīt vaļā un tie jāuzglabā sausās telpās.

Nelik lādētājā elektrovadošus priekšmetus.

Nedrīkst lādēt bojātus akumulatorus, tie ir nekavējoties jānomaina.

Pirms katras lietošanas pārbaudīt, vai nav bojāts vai novecojis pats instruments, pievienojuma kabelis, akumulatori, pagarinājuma kabelis un kontaktdakša. Bojātās detaļas drīkst labot tikai speciālists.

Šī ierīce nav paredzēta personām (ieskaitot bērnus) ar ierobežotām fiziskajām, maņu vai garīgajām spējām, vai trūkumiem un/vai nepieredzējušiem lietotājiem, izņemot gadījumus, kad tiek tā lietota kompetentas personas uzraudzībā vai apmācībā, ierīces lietošanas vietā. Bērni jāuzrauga un jāpatur redzeslokā, lai viņi neizmantotu ierīci rotājām.

NOTEIKUMIEM ATBILSTOŠS IZMANTOJUMS

Skrūvgrieznis - Urbjamašīna ar akumulatoriem ir universāli izmantojama urbšanai un skrūvēšanai neatkarīgi no tīkla pieslēguma.

Ar ātro lādētāju var uzlādēt firmas AEG SE36 sistēmas akumulatorus, kuru spriegums ir 3,6 V.

Šo instrumentu drīkst izmantot tikai saskaņā ar minētajiem lietošanas noteikumiem.

TĪKLA PIESLĒGUMS LA 036

Pieslēgt tikai vienpola maiņstrāvas tīklam un tikai spriegumam, kas norādīts uz jaudas paneļa. Pieslēgums iespējams arī kontaktlīdzdām bez aizsargkontaktiem, jo runa ir par uzbūvi, kas atbilst II. aizsargklasei.

ATBILSTĪBA CE NORMĀM

Ar šo apliecinām, ka esam atbildīgi par to, lai šis produkts atbilstu sekojošām normām vai normatīvajiem dokumentiem: EN 60745, EN 55014-1, EN 55014-2, EN 60335, EN 61000-3-2, EN 61000-3-3, EN 50366 saskaņā ar direktīvu 98/37/EC, 2006/95/EC, 2004/108/EC noteikumiem.



Winnenden, 2009-05-19



Rainer Kumpf
 Manager Product Development

DARBA NORĀDES

Ātruma regulatoru nedrīks pārslēgt, kamēr instruments darbojas, bet gan tikai tad, kad tas ir apstādināts.

AKUMULĀTORI

Jauni akumulatori sasniedz pilnu kapacitāti pēc 4-5 uzlādēšanas un izlādēšanas cikliem. Akumulatori, kas ilgāku laiku nav izmantoti, pirms lietošanas jāuzlādē.

Pie temperatūras, kas pārsniedz 50°C, akumulatoru darbspēja tiek negatīvi ietekmēta. Vajag izvairīties no ilgākas saules un karstuma iedarbības.

Lādētāja un akumulatoru pievienojuma kontakti jāuztur tīri.

Vispārīgas norādes attiecībā uz NiMH akumulatoriem:

Akumulatoru darbspēja pie temperatūras zem -10°C ir ierobežota. Ilgstoša uzglabāšana pie temperatūras virs +40°C var radīt nelabvēlīgu iespaidu uz akumulatora kapacitāti.

PAZĪMES

Ja lādētājā ievietots pārāk silts vai pārāk auksts akumulators (sarkanā kontrollampīna mirgo), lādēšanas process sākas automātiski, tiklīdz akumulators ir sasniedzis attiecīgo lādēšanas temperatūru (NiCd/NiMH -5°C...50°C, Li-Ion 0°C...55°C).

Lādēšanas laiks var atšķirties atkarībā no akumulatora temperatūras, nepieciešamā lādēšanas apjoma un akumulatora kapacitātes.

Kad akumulators ir pilnībā uzlādēts, lādētājs pārslēdzas uz saglabāšanas funkciju, lai saglabātu maks. akumulatora kapacitāti (zaļā kontrollampīna turpina degt).

Pēc uzlādēšanas akumulators nav obligāti jāizņem no lādētāja. Akumulators var palikt lādētājā visu laiku. Tas nevar tikt pārlādēts un ir visu laiku darbspējīgs.

Ja mirgo abas gaismas diodes, akumulators nav pilnībā iestumts vai arī ir kļūda akumulatora vai lādētāja funkcijā. Drošības nolūku dēļ nekavējoties jāpārtrauc darbs ar akumulatoru un lādētāju, un jānodrošina pārbaudei AEG klientu servisam.

APKOPE

Ja ir bojāts tīkla pieslēguma kabelis, tas jāuzdod nomainīt firmas AEG klientu apkalpošanas servisam, jo tam ir nepieciešami speciāli instrumenti.

Izmantojiet tikai firmu AEG piederumus un firmas rezerves daļas. Lieciet nomainīt detaļas, kuru nomainā nav aprakstīta, kādā no firmu AEG klientu apkalpošanas servisiem. (Skat. brošūru "Garantija/klientu apkalpošanas serviss".)

Ja nepieciešams, klientu apkalpošanas servisā vai tieši pie firmas AEG Elektrowerkzeuge, Max-Eyth-Straße 10, D-71364 Winnenden, Germany, var pieprasīt instrumentu eksplozijas zīmējumu, šim nolūkam jāuzrāda mašīnas tips un desmitvietīgais numurs, kas norādīts uz jaudas paneļa.

SIMBOLI



Pirms sākt lietot instrumentu, lūzdu, izlasiet lietošanas pamācību.



Piederumi - standartaprīkojumā neietvertās, bet ieteicamās papildus komplektācijas detaļas no piederumu programmas.



Pirms mašīnai veikt jebkāda veida apkopes darbus, ir jāizņem ārā akumulators.



Neizmetiet elektroiekartas sadzīves atkritumos! Saskaņā ar Eiropas Direktīvu 2002/96/EC par lietotajam elektroiekartām, elektronikas iekartām un tas iekļaušanu valsts līdzekļos jāizmanto ekroiekartas ir jāsavāc atsevišķi un jānogada otrreizējai pārstrādei videi draudzīga veida.



Izmantotās akumulatora baterijas nemest ugunī.



Nedrīkst lādēt bojātus akumulatorus, tie ir nekavējoties jānomaina.

TECHNINIAI DUOMENYS **SE 3.6** **LA 036**

Gręžimo ø pliene	3 mm
Gręžimo ø medienoje	6 mm
Medvaržčiai (be išankstinio gręžimo)	4,5 mm
Sūkių skaičius laisva eiga 1. pavara	200 min ⁻¹
Sūkių skaičius laisva eiga 2. pavara	600 min ⁻¹
Sukimo momentas	
stambus sriegio žingsnis *1	4,5 Nm
smulkus sriegio žingsnis *1	6,5 Nm
Sriegimo kiekis su 1 akumuliatoriaus įkrova (2,0 Ah): *2	
4x30 minkštoje medienoje	140
keičiamo akumuliatoriaus įtampa	3,6 V
svoris su keičiamu akumuliatoriumi	0,575 kg

Informacija apie triukšmą/vibraciją

Vertės matuotos pagal EN 60 745.

Įvertintas A įrenginio keliamo triukšmo lygis dažniausiai sudaro:

Garso slėgio lygis (K = 3 dB(A))	56 dB (A)
Dirbant triukšmo lygis gali viršyti 85 dB (A).	

Nešioti klausos apsaugines priemones!

Bendroji svyravimų reikšmė (trijų krypčių vektorių suma), nustatyta remiantis EN 60745.

Vibravimų emisijos reikšmė ah

Metalo gręžimas	2,8 m/s ²
Paklaida K	1,5 m/s ²
Prisukimas varžtais	< 2,5 m/s ²
Paklaida K	1,3 m/s ²

įtampas diapazonas	3,6 V
greitos įkrovos krovimo srovė NiCd / NiMH / Li-Ion	1,8 A
palaikymo krovimas	50-100 mA
įkrovos laikas NiCd 1,4 Ah	ca. 45 min
įkrovos laikas NiMH 2,0 Ah	ca. 65 min
įkrovos laikas Li-Ion 1,5 Ah	ca. 60 min
Svoris be maitinimo laido	285 g

*1 Matuojant pagal „AEG“ normą N 877318
*2 Nurodytos vertės yra apytikrės (2. pavara). Tikrosios vertės gali būti kitokios, priklausomai nuo medžiagos ir varžtų kokybės.

DĖMESIO

Instrukcijoje nurodyta svyravimų ribinė vertė yra išmatuota remiantis standartu EN 60745; ji gali būti naudojama keliems elektriniams instrumentams palyginti. Ji taikoma ir laikinai įvertinti svyravimų apkrovą.

Nurodyta svyravimų ribinė vertė yra taikoma pagrindinėse elektrinio instrumento naudojimo srityse. Svyravimų ribinė vertė gali skirtis naudojant elektrinį instrumentą kitose srityse, papildomai naudojant netinkamus elektrinius instrumentus arba juos nepakankamai techniškai prižiūrint. Dėl to viso darbo metu gali žymiai padidėti svyravimų apkrova.

Siekiant tiksliai nustatyti svyravimų apkrovą, būtina atsižvelgti ir į laikotarpį, kai įrenginys yra išjungtas arba įjungtas, tačiau faktiškai nenaudojamas. Dėl to viso darbo metu gali žymiai sumažėti svyravimų apkrova.

Siekiant apsaugoti vartotojus nuo svyravimo įtakos naudojamos papildomos saugos priemonės, pavyzdžiui, elektrinių darbo instrumentų techninė priežiūra, rankų šilumos palaikymas, darbo procesų organizavimas.

⚠ DĖMESIO! Perskaitykite visas saugumo pastabas ir nurodymus, esančius pridėtoje brošiūroje. Jei nepaisysite žemiau pateiktų saugos nuorođų ir reikalavimų, gali trenkti elektros smūgis, kilti gaisras ir/arba galite sunkiai susižaloti arba sužaloti kitus asmenis.
Išsaugokite šias saugos nuorodas ir reikalavimus, kad ir ateityje galėtumėte jais pasinaudoti.

YPATINGOS SAUGUMO NUORODOS

Dirbdami laikykite prietaisą už izoliuotų vietų, kuriose pjovimo įrenginys pats galėtų liesti paslėptus laidus arba savo paties laidą. Dėl kontakto su laidininku, kuriuo teka elektros srovė, metalinėse prietaiso dalyse atsiranda átampa ir naudotojas gali gauti elektros smūgá.

Nešioti klausos apsaugos priemones. Triukšmo poveikyje galima netekti klausos.

Dirbdami su įrenginiu visada nešioti apsauginius akinius. Rekomenduotina nešioti apsaugines pirštines, tvirtus batus neslidžiu padu bei prijuostę.

Draudžiama išiminėti drožies ar nuopjovas, įrenginiui veikiant. Dirbdami sienoje, lubose arba grindyse, atkreipkite dėmesį į elektros laidus, dujų ir vandens vamzdžius.

Prieš atlikdami bet kokius darbus įrenginyje, išimkite keičiamą akumuliatorių.

Sunaudotų keičiamų akumuliatorių nedeginkite ir nemeskite į buitines atliekas. AEG siūlo tausojantį aplinką sudėvėtą keičiamą akumuliatorių tvarkymą, apie tai teiraukitės prekybos atstovo.

Keičiamų akumuliatorių nelaikykite kartu su metaliniais daiktais (trumpoju jungimo pavojus).

Keičiamas „SE36“ sistemos akumuliatorius kraukite tik „SE36“ sistemos įkrovikliais. Nekraukite kitų sistemų akumuliatorių.

Ekstremalių apkrovų arba ekstremalios temperatūros poveikyje iš keičiamų akumuliatorių gali ištekėti akumuliatoriaus skystis. Išsitempus akumuliatoriaus skysčiu, tuoj pat nuplaukite vandeniu su muilu. Patekus į akis, tuoj pat ne trumpiau kaip 10 minučių gausiai skalaukite vandeniu ir tuoj pat kreipkitės į gydytoją.

Įkroviklyje gali būti kraunami šie akumuliatoriai:

Įtampa	akumuliatoriaus tipas	vardinė talpa	elementų skaičius
3,6 V	SB 3.6	≥ 1,4 Ah	3
3,6 V	SM 3.6	≥ 2,0 Ah	3
3,6 V	SL 3.6	≥ 1,5 Ah	1

Įkroviklyje negalima krauti pakartotinai neįkraunamų elementų. Į įkroviklių keičiamais akumuliatoriams įstatymui skirtą vamzdį turi nepatekti jokios metalinės dalys (trumpoju jungimo pavojus). Keičiamų akumuliatorių ir įkroviklių nelaikykite atvirai. Laikykite tik sausoje vietoje. Saugokite nuo drėgmės. Nekiškite į prietaisą elektrai laidžius daiktus.

Nekraukite pažeistų keičiamų akumuliatorių, juos tuoj pat pakeiskite.

Kiekvieną kartą prieš naudojimą patikrinkite, ar ant prietaiso, maitinimo kabelio, akumuliatoriaus bloko prailginimo kabelio ir ištuoto nėra pažeidimų ir senėjimo požymių. Pažeistas dalis leidžiama taisyti tik specialistams.

Šis prietaisas nėra skirtas naudotis asmenims (įskaitant vaikus), kurių fiziniai, jutiminiai ar protiniai sugebėjimai yra riboti, ar kurie neturi patirties ir/ar žinių, kaip šiuo prietaisu naudotis, išskyrus tuos atvejus, kai juos prižiūri už jų saugumą atsakingas asmuo arba kai jie tokio asmens buvo išmokyti, kaip reikia naudotis prietaisu. Vaikus reikėtų prižiūrėti, kad būtų užtikrinta, jog jie su prietaisu nežaidžia.

NAUDOJIMAS PAGAL PASKIRTĮ

Akumuliatorinį suktuvą-gręžtuvą galima universaliai naudoti gręžimui ir sukimui nepriklausomai nuo elektros tinklo.

Greituoju įkrovikliu galima įkrauti keičiamus „AEG“ „SE36“ sistemos 3,6 V akumuliatorius.

Šį prietaisą leidžiama naudoti tik pagal nurodytą paskirtį.

ELEKTROS TINKLO JUNGTIS LA 036

Jungti tik prie vienfazės kintamos elektros srovės ir tik į specifikacijų lentelėje nurodytos įtampos elektros tinklą. Konstruktijos saugos klasė II, todėl galima jungti ir į lizdus be apsauginio kontakto.

CE ATITIKTIES PAREIŠKIMAS

Mes atsakingai pareiškiame, kad šis gaminys atitinka tokias normas arba normatyvinius dokumentus: EN 60745, EN 55014-1, EN 55014-2, EN 60335, EN 61000-3-2, EN 61000-3-3, EN 50366, pagal direktyvų 98/37/EB, 2006/95/EB, 2004/108/EB reikalavimus.



Winnenden, 2009-05-19



Rainer Kumpf
Manager Product Development

NUORODOS DARBUI

Greičio perjungimo jungiklio niekada nejunkite, kai mašina veikia. Ji junkite tik tada, kai mašina nesisuka.

AKUMULIATORIAI

Nauji keičiami akumuliatoriai savo pilną talpą įgyja po 4-5 įkrovos ir iškrovos ciklų. Ilgesnį laiką nenaudotus keičiamus akumuliatorius prieš naudojimą įkraukite.

Aukštesnė nei 50°C temperatūra mašina keičiamų akumuliatorių galią. Venkite ilgesnio saulės ar šilumos šaltinių poveikio.

Įkroviklio ir keičiamo akumuliatoriaus jungiamieji kontaktai visada turi būti švarūs.

Bendrosios nuorodos dėl NiMH akumuliatoriaus:

Žemesnėje nei -10°C temperatūroje veikimo galia ribota. Ilgas laikymas aukštesnėje nei +40°C temperatūroje gali neigiamai atsiliepti akumuliatoriaus talpai.

POŽYMIAI

Įstačius keičiamą akumuliatorių į įkroviklio vamzdį, keičiamas akumuliatorius automatiškai pradėdamas krauti (visą laiką šviečia geltonas šviesos diodas).

Jei į įkroviklį įstatomas per šiltas arba per šaltas keičiamas akumuliatorius (raudonas šviesos diodas mirksi), įkrova pradėdama automatiškai, kai tik keičiamas akumuliatorius įgauna krovimui tinkamą temperatūrą. (NiCd/NiMH -5°C...50°C, Li-Ion 0°C...55°C).

Įkrovos laikas gali svyruoti priklausomai nuo akumuliatoriaus temperatūros, reikiamo įkrovos kiekio ir akumuliatoriaus talpos.

Maksimaliai akumuliatoriaus naudingai talpai užtikrinti prietaisais, kai akumuliatorius pilnai įsikrauna, persijungia į palaikomąjį krovimo režimą (visą laiką šviečia žalias šviesos diodas).

Įkrauto keičiamo akumuliatoriaus iš įkroviklio išimti nebūtina. Keičiamas akumuliatorius gali visą laiką būti įkroviklyje. Jis negali būti perkrautas, taigi visą laiką yra paruoštas naudojimui.

Jeigu mirkčioja abu šviesos diodai, tai reiškia, kad akumuliatorius arba ne iki galo įstumtas arba yra jo ar kroviklio gedimas. Saugos sumetimais daugiau nesinaudokite krovikliu ir akumuliatoriumi ir pristatykite AEG klientų aptarnavimo centru patikrinti.

TECHNINIS APTARNAVIMAS

Pažeistą maitinimo kabelį turi pakeisti AEG klientų aptarnavimo skyrius, nes tam reikalingi specialūs įrankiai.

Naudokite tik AEG priedus ir atsargines dalis. Dalis, kurių keitimas neaprašytas, leidžiama keisti tik AEG klientų aptarnavimo skyriams (žr. garantiją/klientų aptarnavimo skyrių adresus brošiūroje).

Jei reikia, nurodant įrenginio tipą bei specifikacijų lentelėje esantį dešimtženklį numerį, iš klientų aptarnavimo skyriaus arba tiesiai iš AEG Elektrowerkzeuge, Max-Eyth-Straße 10, D-71364 Winnenden, Germany, galima užsisakyti prietaiso surinkimo brėžinius.

SIMBOLIAI



Prieš pradėdami dirbti su prietaisu, atidžiai perskaitykite jo naudojimo instrukciją.



Priedas – neįeina į tiekimo komplektaciją, rekomenduojamas papildymas iš priedų asortimento.



Prieš atlikdami bet kokius darbus įrenginyje, išimkite keičiamą akumuliatorių.



Neišmeskite elektros įrengimu i buitinius šiukšlynus! Pagal ES Direktyva 2002/96/EC dėl naudoto įrengimu, elektros įrengimu ir ju išraukimo i valstybinius įstatymus naudotus įrengimus butina surinkti atskirai ir nugabenti antriniu žaliava perdirbimui aplinkai nekenksmingu budu.



Naudotų baterijų nedeginti.



Nekraukite pažeistų keičiamų akumuliatorių, juos tuoj pat pakeiskite.

Puurimisläbimõõt terases	3 mm
Puuri ø puidus	6 mm
Puidukruvid (eelpuurimiseta)	4,5 mm
Pöörlemiskiirus tühjooksul 1. käigul	200 min ⁻¹
Pöörlemiskiirus tühjooksul 2. käigul	600 min ⁻¹
Pöördemoment	
Pehme materjali kruvimine *1	4,5 Nm
Kõva materjali kruvimine *1	6,5 Nm
Kruvimisvõimsus 1 akulaenguga (2,0 Ah): *2	
4x30 pehmes puidus	140
Vahetatava aku pinge	3,6 V
Kaal koos vahetatava akuga	0,575 kg

Müra/vibratsiooni andmed

Mõõteväärtused on kindlaks tehtud vastavalt normile EN 60 745.
Seadme tüüpiline hinnanguline (A) müratase:
 Hellirõhutase (K = 3 dB(A))

Kandke kaitseks kõrvaklappe!

Vibratsiooni koguväärtus (kolme suuna vektorsumma) mõõdetud EN 60745 järgi.

Vibratsiooni emissiooni väärtus ah	
Metalli puurimine	2,8 m/s ²
Määramatus K	1,5 m/s ²
Kruvimine	< 2,5 m/s ²
Määramatus K	1,3 m/s ²

Pingevahemik	3,6 V
Kiirilaadimise laadimisvool NiCd / NiMH / Li-Ion	1,8 A
Säilituslaadimine	50-100 mA
Laadimisaeg NiCd 1,4 Ah	ca. 45 min
Laadimisaeg NiMH 2,0 Ah	ca. 65 min
Laadimisaeg Li-Ion 1,5 Ah	ca. 60 min
Kaal ilma võrgujuhtmata	285 g

*1 Mõõdetud vastavalt AEG normile N 877318

*2 Toodud väärtused on tugiväärtused (2. käigul). Tegelikud väärtused võivad sõltuvalt materjalist ja kruvide kvaliteedist neist kõrvale kalduda.

TÄHELEPANU

Antud juhendis toodud võnketase on mõõdetud EN 60745 standardile vastava mõõtesüsteemiga ning seda võib kasutada erinevate elektriseadmete omavahelises võrdlemises. Antud näitaja sobib ka esmaseks võnkekoormuse hindamiseks.

Antud võnketase kehtib elektriseadme kasutamisel sihtotstarbeliselt. Kui elektriseadet kasutatakse muudel otstarvetel, muude tööriistadega või seda ei hooldata piisavalt võib võnketase siintoodust erineda. Eeltoodu võib võnketaset märkimisväärselt tõsta terves töökeskkonnas.

Võnketaseme täpseks hindamiseks tuleks arvestada ka aega, mil seade on välja lülitatud või on küll sisse lülitatud, kuid ei ole otseselt kasutusel. See võib märgatavalt vähendada kogu töökeskkonna võnketaset.

Rakendage spetsiaalseid ettevaatusabinõusid töötajate suhtes, kes puutuvad töö käigus palju kokku vibratsiooniga. Nendeks abinõudeks võivad olla, näiteks: elektri- ja tööseadmete korraline hooldus, käte soojendamine, töövoo parem organiseerimine.

⚠ TÄHELEPANU! Lugege kõik ohutusnõuanded ja juhendid läbi, ka juures olevast brošüürist. Ohutusnõuete ja juhiste eiramise tagajärjeks võib olla elektrilöökk, tulekahju ja/või gaasid vigastused.
Hoidke kõik ohutusnõuded ja juhised edasiseks kasutamiseks hoolikalt alles.

SPETSIAALSSED TURVAJUHISED

Tööde puhul, kus lõikeseadet võib minna vastu peidetud elektrijuhtmeid või seadme enda toitejuhet, hoidke kinni seadme isoleeritud käepidemetest. Kokkupuude pingele alla oleva juhtmega võib seada seadme enda metallosad pingele alla ja põhjustada elektrilööki.

Kandke kaitseks kõrvaklappe. Müra mõju võib kutsuda esile kuulmise kaotuse.

Masinaga töötades kandke alati kaitseprille. Soovitatavad on kaitsekindad, tugevad ja libisemiskindlad jalanõud ning põll.

Puru ega pilpaid ei tohi eemaldada masina töötamise ajal.

Seina, lae või põrandade tööd puhul pidage silmas elektrijuhtmeid, gaasi- ja veetorusid.

Enne kõiki töid masina kallal võtke vahetatav aku välja.

Ärge visake tarvitatud vahetatavaid akusid tulle ega olmeprügisse. AEG pakub vanade akude keskkonnahoidlikku käitlust; palun küsige oma erialaselt tarnijalt.

Ärge säilitage vahetatavaid akusid koos metallesemetega (lühiseoht).

Laadige süsteemi SE36 vahetatavaid akusid ainult süsteemi SE36 laadijatega. Ärge laadige nendega teiste süsteemide akusid.

Äärmuslikul koormusel või äärmuslikul temperatuuril võib kahjustatud vahetatavast akust akudevellik välja voolata. Akudevellikuga kokkupuutumise korral peske kohe vee ja seebiga. Silma sattumise korral loputage kiiresti põhjalikult vähemalt 10 minutit ning pöörduge viivitamatult arsti poole.

Laadijaga saab laadida järgmisi vahetatavaid akusid:

Pinge	Aku tüüp	Nimimahtvus	Elementide arv
3,6 V	SB 3.6	≥ 1,4 Ah	3
3,6 V	SM 3.6	≥ 2,0 Ah	3
3,6 V	SL 3.6	≥ 1,5 Ah	1

Laadijaga ei tohi laadida mittelaetavaid akusid.

Laadijal olevasse vahetatava aku ühenduskambrisse ei tohi sattuda metallosi (lühiseoht).

Ärge avage vahetatavaid akusid ega laadijaid ning ladustage neid ainult kuivades ruumides. Kaitske niiskuse eest.

Ärge puudutage seadet voolu juhtivate esemetega.

Ärge laadige kahjustatud vahetatavat akut, vaid asendage see kohe uuega.

Enne iga kasutamist kontrollige seadet, ühendusjuhtmeid, akupaketi pikendusjuhtmeid ja pistikuid, et poleks kahjustusi ega materjali väsimist. Kahjustatud osi laske parandada ainult spetsialistil.

Seade ei ole ette nähtud kasutamiseks füüsiliste, sensoorsete või vaimsete puuetega isikutele (lapsed kaas arvatud) või isikutele, kellel puuduvad kogemused ja teadised seadme kasutamiseks, välja arvatud nende turvalisuse eest vastutava isiku järelevalve all või juhendamisel. Lapsed peavad olema järelevalve all, et nad seadmega ei mängiks.

KASUTAMINE VASTAVALT OTSTARBELE

Akutrell-kruvikeerajat saab sõltumata võrguühendusest universaalselt rakendada puurimiseks ja kruvide keeramiseks. Kiirilaadijaga laetakse süsteemi SE36 AEG vahetatavaid akusid vahemikus 3,6 V.

Antud seadet tohib kasutada ainult vastavalt äranäidatud otstarbele.

VÕRKU ÜHENDAMINE LA 036

Ühendage ainult ühefaasilise vahelduvvooluga ning ainult andmesilid toodud võrgupingega. Ühendada on võimalik ka kaitsekontaktita pistikupesadesse, kuna nende konstruktsioon vastab kaitseklassile II.

EÜ VASTAVUSAVALDUS

Me deklareerime ainuvastutajatena, et antud toode on kooskõlas järgmistega normide või normdokumentidega: EN 60745, EN 55014-1, EN 55014-2, EN 60335, EN 61000-3-2, EN 61000-3-3, EN 50366 vastavalt direktiivide 98/37/EÜ, 2006/95/EÜ, 2004/108/EÜ sätetele.



Winnenden, 2009-05-19

Rainer Kumpf

Rainer Kumpf
Manager Product Development

TÖÖJUHISED

Käigulüliti ei tohi kunagi lülitada, kui masin on sisse lülitatud, vaid alati ainult siis, kui masin on seiskunud.

AKUD

Uued vahetatavad akud saavutavad oma täieliku mahtuvuse pärast 4–5 laadimis- ja tühjendust kiit. Pikemat aega mittekasutatud akusid laadige veel enne kasutamist.

Temperatuur üle 50 °C vähendab vahetatava aku töövõimet. Vältige pikemat soojenemist päikese või kütteseadme mõjul. Hoidke laadija ja vahetatava aku ühenduskontaktid puhtad.

Üldjuhised NiMH-akude kohta

Töövõime säilib temperatuuril alla –10 °C vaid piiralt. Pikaajaline ladustamine temperatuuril üle +40 °C võib negatiivselt mõjustada aku mahtuvust.

TUNNUSED

Pärast vahetatava aku asetamist laadija ühenduskambrisse toimub aku laadimine automaatselt (kollane valgusdiood põleb pidevalt).

Kui laadijasse pannakse liiga soe või liiga külm vahetatav aku (punane valgusdiood vilgub), algab laadimisprotsess automaatselt niipea, kui aku on jõudnud õige laadimistemperatuurini (NiCd/NiMh -5°C...50°C, Li-Ion 0°C...55°C).

Laadimisaeg võib varieeruda vastavalt aku temperatuurile, vajatavale laadimiskogusele ja aku mahtuvusele.

Täielikult laetud vahetatava aku puhul lülitub seade aku kõige suurema kasutatava mahtuvuse saamiseks ümber säilituslaadimisele (roheline valgusdiood põleb pidevalt).

Vahetatavat akut ei pruugi pärast laadimist laadijast välja võtta. Vahetatav aku võib pidevalt laadijasse jääda. Teda pole seejuures võimalik üle laadida ning ta on nii alati käitamiskvalmis.

Kui mõlemad LED-tuled vilguvad, siis ei ole aku korralikult laadijaga ühendatud või on tegu aku või laadimiseadme veaga. Ohutuse nimel tuleb laadja ja aku kasutamine koheselt

katkestada ning mõlemad seadmed tuleb viia kontrollimiseks AEG-i klienditeenindusse.

HOOLDUS

Kui võrguühendusjuhe on kahjustatud, siis tuleb see välja vahetada AEG klienditeeninduspunktis, kuna selleks on nõutavad eritööriistad.

Kasutage ainult AEG tarvikuid ja tagavaraosi. Detailid, mille väljavahetamist pole kirjeldatud, laske välja vahetada AEG klienditeeninduspunktis (vaadake brošüüri garantii / klienditeeninduste aadressid).

Vajaduse korral võite tellida seadme läbilõikejoonise, näidates ära masina tüübi ja andmesilidit oleva kümnekohalise numbr. Selleks pöörduge klienditeeninduspunkti või otsse: AEG Elektrowerkezeuge, Max-Eyth-Sträße 10, D-71364 Winnenden, Germany.

SÜMBOLID



Palun lugege enne käikulaskmist kasutusjuhend hoolikalt läbi.



Tarvikud - ei kuulu tarne komplekti, soovitatav täiendus on saadaval tarvikute programmis.



Enne kõiki töid masina kallal võtke vahetatav aku välja.



Ärge käideldage kasutuskõlbmatuks muutunud elektrilisi tööriistu koos olmejäätmetega! Vastavalt Euroopa Parlamendi ja nõukogu direktiivile 2002/96/EÜ elektri- ja elektroonikaseadmete jäätmete kohta ning direktiivi nõuete kohaldamisele liikmesriikides tuleb asutuskõlbmatuks muutunud elektrilised tööriistad koguda eraldi ja keskkonnasäästlikult korduskasutada või ringlusele võtta.



Kasutatud akusid mitte visata tulle.



Ärge laadige kahjustatud vahetatavat akut, vaid asendage see kohe uuega.



ТЕХНИЧЕСКИЕ ДАННЫЕ

SE 3.6

LA 036

Производительность сверления в стали	3 mm
Производительность сверления в дереве	6 mm
Шурупы для дерева (без предварительного засверливания)	4,5 mm
Число оборотов без нагрузки (об/мин) 1-ая передача	200 min ⁻¹
Число оборотов без нагрузки (об/мин) 2-я скорость	600 min ⁻¹
Момент затяжки	
закручивание в мягкий материал *1	4,5 Nm
закручивание в твердый материал *1	6,5 Nm
Количество шурупов, которое можно завинтить с одним полностью заряженным аккумулятором (20 Ач)*2	
4x30 Мягкое дерево	140
Вольтаж аккумулятора	3,6 V
Вес с аккумулятором	0,575 kg

Информация по шумам/вибрации

Значения замерялись в соответствии со стандартом EN 60 745.

Уровень шума прибора, определенный по показателю A, обычно составляет:

Уровень звукового давления (K=3dB(A))..... 56 dB (A)

Уровень шума во время работы может превышать 85 dB (A).

Пользуйтесь приспособлениями для защиты слуха.

Общие значения вибрации (векторная сумма трех направлений) определены в соответствии с EN 60745.

Значение вибрационной эмиссии ah

Сверление в металле	2,8 m/s ²
Небезопасность K	1,5 m/s ²
Завинчивание	< 2,5 m/s ²
Небезопасность K	1,3 m/s ²

Диапазон напряжений	3,6 V
Ток быстрого заряда NiCd / NiMH / Li-Ion	1,8 A
Поддерживающий заряд	50-100 mA
Время заряда батареи NiCd 1,4 Ah	ca. 45 min
Время заряда батареи NiMH 2,0 Ah	ca. 65 min
Время заряда батареи Li-Ion 1,5 Ah	ca. 60 min
Вес без кабеля	285 g

*1 Измерения согласно нормативам Атлас Копко № 877318

*2 Заявленные значения являются относительными (2-я скорость). Точная величина может варьироваться в зависимости от материала и качества шурупов.

ВНИМАНИЕ

Указанный в настоящем руководстве уровень вибрации измерен в соответствии с технологией измерения, установленной стандартом EN 60745 и может использоваться для сравнения электроинструментов друг с другом. Он также подходит для предварительной оценки вибрационной нагрузки.

Указанный уровень вибрации представляет основные виды использования электроинструмента. Но если электроинструмент используется для других целей, используемый инструмент отклоняется от указанного или технического обслуживания было недостаточным, то уровень вибрации может отклоняться от указанного. В этом случае вибрационная нагрузка в течение всего периода работы значительно увеличивается.

Для точной оценки вибрационной нагрузки необходимо также учитывать время, в течение которого прибор отключен или включен, но фактически не используется. В этом случае вибрационная нагрузка в течение всего периода работы может существенно уменьшиться.

Установите дополнительные меры безопасности для защиты пользователя от воздействия вибрации, например: техническое обслуживание электроинструмента и используемого инструмента, поддержание рук в теплом состоянии, организация рабочих процессов.

ВНИМАНИЕ! Ознакомьтесь со всеми указаниями по безопасности и инструкциями, в том числе с инструкциями, содержащимися в прилагающейся брошюре. Упущения, допущенные при соблюдении указаний и инструкций по технике безопасности, могут стать причиной электрического поражения, пожара и тяжелых травм. **Сохраняйте эти инструкции и указания для будущего использования.**

РЕКОМЕНДАЦИИ ПО ТЕХНИКЕ БЕЗОПАСНОСТИ

Если Вы выполняете работы, при которых режущий инструмент может зацепить скрытую электропроводку или собственный кабель, инструмент следует держать за специально предназначенные для этого изолированные поверхности. Контакт с ведущими напряжением проводами ставит металлические части прибора под напряжение и ведет к поражению электротоком.

Используйте наушники! Воздействие шума может привести к потере слуха.

При работе с инструментом всегда надевайте защитные очки. Рекомендуется надевать перчатки, прочные нескользящие ботинки и фарук.

Не убирайте опилки и обломки при включенном инструменте.

При работе в стенах, потолках или полу следите за тем, чтобы не повредить электрические кабели или водопроводные трубы.

Выньте аккумулятор из машины перед проведением с ней каких-либо манипуляций.

Не выбрасывайте использованные аккумуляторы вместе с домашним мусором и не сжигайте их. Дистрибьюторы компании AEG предлагают восстановление старых аккумуляторов, чтобы защитить окружающую среду.

Не храните аккумуляторы вместе с металлическими предметами во избежание короткого замыкания.

Для зарядки аккумуляторов модели SE36 используйте только зарядным устройством SE36. Не заряжайте аккумуляторы других систем.

Аккумуляторная батарея может быть повреждена и дать течь под воздействием чрезмерных температур или повышенной нагрузки. В случае контакта с аккумуляторной кислотой немедленно промойте место контакта мылом и водой. В случае попадания кислоты в глаза промывайте глаза в течение 10 минут и немедленно обратитесь за медицинской помощью.

При помощи данного зарядного устройства могут заряжаться следующие аккумуляторы:

Напряжение	Модель	Номинальная емкость (при хранении)	Количество элементов в аккумуляторе
3,6 V	SB 3.6	≥ 1,4 Ah	3
3,6 V	SM 3.6	≥ 2,0 Ah	3
3,6 V	SL 3.6	≥ 1,5 Ah	1

Не старайтесь зарядить перезаряжаемые батареи при помощи этого зарядного устройства.

Не допускается попадание каких-либо металлических предметов в аккумуляторный отсек зарядного устройства во избежание короткого замыкания.

Никогда не вскрывайте аккумуляторы или зарядные устройства и храните их только в сухих помещениях. Следите чтобы они всегда были сухими.

Не дотрагивайтесь до них токопроводящими предметами.

Никогда не заряжайте поврежденные аккумуляторы. Замените их новым.

Перед включением проверьте инструмент, кабель и вилку на предмет повреждений или усталости материала. Ремонт может производиться только уполномоченными Сервисными Организациями.

Данный прибор не предназначен для использования лицами (включая детей) с ограниченными физическими, сенсорными или умственными способностями, а также в случае недостатка опыта и/или знаний, за исключением случаев, когда они находятся под контролем людей, отвечающих за их безопасность, или получили от них инструкции по использованию прибора.

Необходимо следить за тем, чтобы дети не играли с прибором.

ИСПОЛЬЗОВАНИЕ

Аккумуляторная дрель/шуруповерт сконструирована для простого сверления и закручивания шурупов в местах, необеспеченных электропитанием.

Быстрое зарядное устройство может заряжать аккумуляторы AEG (System SE36) от 3,6 В.

Не пользуйтесь данным инструментом способом, отличным от указанного для нормального применения.

ПОДКЛЮЧЕНИЕ К ЭЛЕКТРОСЕТИ LA 036

Подсоединять только к однофазной сети переменного тока с напряжением, соответствующим указанному на инструменте. Электроинструмент имеет второй класс защиты, что позволяет подключать его к розеткам электропитания без заземляющего вывода.

ДЕКЛАРАЦИЯ О СООТВЕТСТВИИ СТАНДАРТАМ ЕС

Мы заявляем, что этот продукт соответствует следующим стандартам: EN 60745, EN 55014-1, EN 55014-2, EN 60335, EN 61000-3-2, EN 61000-3-3, EN 50366, в соответствии с правилами 98/37/EC, 2006/95/EC, 2004/108/EC.



Winnenden, 2009-05-19

Rainer Kumpf
Manager Product Development

СОВЕТЫ ПО ЭКСПЛУАТАЦИИ

Ни в коем случае не пользоваться переключателем скорости при включенном инструменте!

АККУМУЛЯТОР

Новый аккумулятор заряжается до полной емкости после 4 - 5 зарядных циклов. Перед использованием аккумулятора, которым не пользовались некоторое время, его необходимо зарядить.

Температура свыше 50°C снижает работоспособность аккумуляторов. Избегайте продолжительного нагрева или прямого солнечного света (риск перегрева).

Контакты зарядного устройства и аккумуляторов должны содержаться в чистоте.

Общее замечание относительно NiMH (никель-металлгидридных) аккумуляторов:

Емкость аккумуляторной батареи сокращается при снижении температуры ниже -10°C. Длительное хранение при температуре

выше +40°C может отрицательно сказаться на емкости аккумулятора.

ХАРАКТЕРИСТИКИ

Аккумуляторы начнут автоматически заряжаться, после помещения их в зарядное устройство (желтый индикатор горит постоянно)

При установке на зарядное устройство горячих или холодных аккумуляторов (красная индикатор мигает), зарядка начнется автоматически при достижении аккумуляторами необходимой температуры (NiCd/NiMH -5°C...50°C, Li-Ion 0°C...55°C).

Время зарядки зависит от температуры аккумулятора, заряженности аккумулятора от типа аккумулятора.

Как только зарядка закончится, зарядное устройство, переключается в режим "капельной" подзарядки для поддержания полного заряда аккумуляторов (зеленый индикатор горит постоянно)

Нет необходимости снимать аккумуляторы с зарядного устройства после зарядки. Аккумуляторы могут постоянно находиться в зарядном устройстве без риска перезарядки.

Если оба СД мигают, то либо аккумулятор не полностью задвинут, либо имеется неполадка аккумулятора или зарядного устройства. Чтобы гарантировать безопасность, следует немедленно прекратить использовать зарядное устройство и аккумулятор и отдать их для проверки в сервисный пункт AEG.

ОБСЛУЖИВАНИЕ

Всли шнур подвода питания этого прибора поврежден, он должен заменяться только в ремонтной мастерской, назначенной изготовителем, так как требуются специальные инструменты.

Пользуйтесь аксессуарами и запасными частями только фирмы AEG. В случае возникновения необходимости в замене, которая не была описана, пожалуйста, обращайтесь на один из сервисных центров (см. список наших гарантийных/сервисных организаций).

При необходимости может быть заказан чертеж инструмента с трехмерным изображением деталей. Пожалуйста, укажите десятизначный номер и тип инструмента и закажите чертеж у Ваших местных агентов или непосредственно у AEG Elektrowerkzeuge, Max-Eyth-Str.10, D-71364 Winnenden, Germany.

СИМВОЛЫ



Пожалуйста, внимательно прочтите инструкцию по использованию перед началом любых операций с инструментом.



Дополнитель - В стандартную комплектацию не входит, поставляется в качестве дополнительной принадлежности.



Выньте аккумулятор из машины перед проведением с ней каких-либо манипуляций.



Не выбрасывайте электроинструмент с бытовыми отходами! Согласно Европейской директиве 2002/96/EC по отходам от электрического и электронного оборудования и соответствующим нормам национального права вышедшие из употребления электроинструменты подлежат сбору отдельно для экологически безопасной утилизации.



Исрасходованные сменные аккумуляторы не бросайте в огонь.



Никогда не заряжайте поврежденные аккумуляторы. Замените их новым.

ТЕХНИЧЕСКИ ДАННИ	SE 3.6	LA 036
Диаметър на свердлото за стомана	3 mm	
Диаметър на свердлото за дърво	6 mm	
Винтове за дърво (без предварително разпробиване)	4,5 mm	
Обороти на празен ход на 1. скорост	200 min ⁻¹	
Обороти на празен ход на 2. скорост	600 min ⁻¹	
Въртящ момент		
по-слабо завинтване *1	4,5 Nm	
по-силно завинтване *1	6,5 Nm	
Капацитет за завинтване с 1 зареждане на акумулатора (2,0 Ah): *2		
4x30 в меко дърво	140	
Напрежение на акумулатора	3,6 V	
Тегло с акумулатора	0,575 kg	

Информация за шума/вибрациите

Измерените стойности са получени съобразно EN 60 745. Оцененото с A ниво на шума на уреда е съответно:

Ниво на звукова мощност (K=3 dB(A))..... 56 dB (A)

При работа нивото на шума може да надхвърли 85 dB (A).

Да се носи предпазно средство за слуха!

Общите стойности на вибрациите (векторна сума на три посоки) са определени в съответствие с EN 60745.

Стойност на емисии на вибрациите ah

Пробиване на метал.....	2,8 m/s ²
Несигурност K.....	1,5 m/s ²
Завинтване	< 2,5 m/s ²
Несигурност K	1,3 m/s ²

Диапазон на напрежението	3,6 V
Ток на зареждане при бързо зареждане NiCd / NiMH / Li-Ion	1,8 A
Поддържащо зареждане	50-100 mA
Време на зареждане NiCd 1,4 Ah	ca. 45 min
Време на зареждане NiMH 2,0 Ah	ca. 65 min
Време на зареждане Li-Ion 1,5 Ah	ca. 60 min
Тегло без мрежов кабел	285 g

*1 Измерено по стандарт N 877318 на AEG

*2 Посочените стойности са ориентировъчни (2. скорост). Действителните стойности могат да се различават от тях в зависимост от материала и от качеството на винтовете.

ВНИМАНИЕ

Посоченото в тези инструкции ниво на вибрациите е измерено в съответствие със стандартизиран в EN 60745 измервателен метод и може да се използва за сравнение на електрически инструменти помежду им. Подходящ е и за временна оценка на вибрационното натоварване.

Посоченото ниво на вибрациите представя основните приложения на електрическия инструмент. Ако обаче електрическият инструмент се използва с друго предназначение, с различни сменяеми инструменти или при недостатъчна техническа поддръжка, нивото на вибрациите може да е различно. Това чувствително може да увеличи вибрационното натоварване по време на целия работен цикъл.

За точната оценка на вибрационното натоварване трябва да се вземат предвид и периодите от време, в които уредът е изключен или работи, но в действителност не се използва. Това чувствително може да намали вибрационното натоварване по време на целия работен цикъл.

Определете допълнителни мерки по техника на безопасност в защита на обслужващия работник от въздействието на вибрациите като например: техническа поддръжка на електрическия инструмент и сменяемите инструменти, поддръжка на ръцете топли, организация на работния цикъл.

⚠ ВНИМАНИЕ! Прочетете указанията за безопасност и съветите в приложената брошура. Неспазването на приведените по-долу указания може да доведе до токов удар, пожар и/или тежки травми.
Съхранявайте тези указания на сигурно място.

СПЕЦИАЛНИ УКАЗАНИЯ ЗА БЕЗОПАСНОСТ

Дръжте уреда за изолираните ръкохватки, когато извършвате работи, при които режещият инструмент може да засегне скрити електросталационни кабели или собствения си кабел. Контактът на режещия инструмент с тоководещ проводник може да предаде напрежението върху метални части на уреда и да доведе до токов удар.

Носете средство за защита на слуха. Въздействието на шума може да предизвика загуба на слуха.

При работа с машината винаги носете предпазни очила. Препоръчват се също така предпазни ръкавици, здрави и нехлъзгащи се обувки, както и престилка.

Стружки или отчупени парчета да не се отстраняват, докато машина работи.

При работа в стени, тавани или подове внимавайте за кабели, газопроводи и водопроводи.

Преди започване на каквито е да е работи по машината извадете акумулатора.

Не изхвърляйте изхабените акумулатори в огъня или в при битовите отпадъци. AEG предлага екологосъобразно събиране на старите акумулатори; моля попитайте Вашия специализиран търговец.

Не съхранявайте акумулаторите заедно с метални предмети (опасност от късо съединение).

Акумулатори от системата SE36 да се зареждат само със зарядни устройства от системата SE36 laden. Да не се зареждат акумулатори от други системи.

При екстремно натоварване или екстремна температура от повредени акумулатори може да изтече батерийна течност. При допир с такава течност веднага измийте с вода и сапун. При контакт с очите веднага изплаквайте старателно най-малко 10 минути и незабавно потърсете лекар.

Със зарядното устройство могат да се зареждат следните акумулатори:

Напрежение	Тип на акумулатора	Номинален капацитет	Брой на клетките
3,6 V	SB 3.6	≥ 1,4 Ah	3
3,6 V	SM 3.6	≥ 2,0 Ah	3
3,6 V	SL 3.6	≥ 1,5 Ah	1

Със зарядното устройство да не се зареждат батерии, които не са зареждащи се.

В гнездото за акумулатори на зарядните устройства не бива да попадат метални части (опасност от късо съединение).

Не отваряйте акумулатори и зарядни устройства и ги съхранявайте само в сухи помещения. Пазете ги от влага.

Не бъркайте в уреда с токопроводящи предмети.

Ако акумулаторът е повреден, не го зареждайте, а веднага го сменете.

Преди всяка употреба проверявайте уреда, свързващия кабел, акумулаторния пакет от удължителен кабел и щепсел за повреда или стареене. Повредените части да се поправят само от специалист.

Този уред не е предназначен за употреба от лица (включително деца) с ограничени физически, сензорни и умствени способности или с недостатъчен опит и/или без познания, освен ако не са наблюдавани от отговарящо за безопасността им лица и са получили от него указания как да ползват уреда.

Не оставяйте децата без надзор, за да сте сигурни, че не си играят с уреда.

ИЗПОЛЗВАНЕ ПО ПРЕДНАЗНАЧЕНИЕ

Акумулаторният пробивен винтоверт се използва универсално за пробиване и за завинтване на винтове и не зависи от захранване от мрежата.

Бързозарядното устройство зарежда акумулаторите на AEG от системата SE36 от 3,6 V.

Този уред може да се използва по предназначение само както е посочено.

ЗАЩИТА НА ДВИГАТЕЛЯ В ЗАВИСИМОСТ ОТ НАТОВАРВАНЕТО LA

Да се свързва само към еднофазен променлив ток и само към мрежово напрежение, посочено върху заводската табелка. Възможно е и свързване към контакт, който не е от тип „шuko“, понеже конструкцията е от защитен клас II.

СЕ - ДЕКЛАРАЦИЯ ЗА СЪОТВЕТСТВИЕ

Декларираме на собствена отговорност, че този продукт съответства на следните стандарти или нормативни документи: EN 60745, EN 55014-1, EN 55014-2, EN 60335, EN 61000-3-2, EN 61000-3-3, EN 50 366 съобразно предписанията на директивите 98/37/EO, 2006/95/EO, 2004/108/EI.



Winnenden, 2009-05-19

Rainer Kumpf

Rainer Kumpf
Manager Product Development

УКАЗАНИЯ ЗА РАБОТАТА

Никога не задействайте превключателя на скоростите при включена машина, а само когато машината е спряла.

АКУМУЛАТОРИ

Новите сменяеми акумулатори достигат пълния си капацитет след 4-5 цикъла на зареждане и разреждане. Акумулатори, които не са ползвани по-дълго време, преди употреба да се дозаредат.

Температура над 50°C намалява мощността на акумулатора. Да се избягва по-продължително нагряване на слънце или от отопление.

Поддържайте чисти присъединителните контакти на зарядното устройство и на акумулатора.

Общи указания за NiMH акумулатори:

При температури под -10°C работоспособността на акумулаторите е ограничена. Продължително съхраняване при температури над +40°C може да има отрицателни последици за капацитета на акумулатори.

ХАРАКТЕРИСТИКИ

След поставяне на акумулатора в гнездото на зарядното устройство акумулаторът се зарежда автоматично (жълтата LED-индикация свети продължително).

Ако в зарядното устройство бъде поставен твърде топъл или твърде студен акумулатор (червената LED-индикация мига), процесът на зареждане започва автоматично, когато акумулаторът достигне необходимата температура на зареждане. (NiCd/NiMH -5°C...50°C, Li-Ion 0°C...55°C).

Времето на зареждане може да варира в зависимост от температурата на акумулатора, от необходимото количество на зареждане и капацитета на акумулатора.

При напълно зареден акумулатор уредът превключва на поддържащо зареждане за максимално използване на капацитета на акумулатора (зелената LED-индикация свети продължително).

След зареждането акумулаторът няма нужда да се изважда от зарядното устройство. Акумулаторът може да остане продължително време в зарядното устройство. При това той не може да бъде презареден и винаги е в експлоатационна готовност.

Ако двата светодиода мигат, то или акумулаторът не е пъхнат докрай или има грешка в акумулатора или зарядното устройство. По съображения за безопасност веднага извадете акумулатора и зарядното устройство от експлоатация и ги дайте за проверка на пункт на сервизната служба на AEG.

ПОДДРЪЖКА

Ако кабелът за свързване към мрежата е повреден, той трябва да бъде сменен от сервиз на AEG, защото за това са необходими специални инструменти.

Да се използват само аксесоари на AEG и резервни части на. Елементи, чията подмяна не е описана, да се дават за подмяна в сервиз на AEG (вижте брошурата "Гаранция и адреси на сервизи").

При необходимост можете да поискате за уреда от Вашия сервиз или директно от AEG Elektrowerkzeuge, Max-Eyth-Straße 10, D-71364 Winnenden, Germany, чертеж за в случай на експлозия, като посочите типа на машината и десетцифрения номер върху заводската табелка.

СИМВОЛИ



Преди пускане на уреда в действие моля прочетете внимателно инструкцията за използване.



Аксесоари - Не се съдържат в обема на доставката, препоръчвано допълнение от програмата за аксесоари.



Преди започване на каквито е да е работи по машината извадете акумулатора.



Не изхвърляйте електроинструменти при битовите отпадъци! Съобразно Европейска директива 2002/96/EO за стари електрически и електронни уреди и нейното реализиране в националното законодателство изхабените електроинструменти трябва да се събират отделно и да се предават в пункт за екологосъобразно рециклиране.



Не хвърляйте сменяемите акумулатори в огъня.



Ако акумулаторът е повреден, не го зареждайте, а веднага го сменете.



DATE TEHNICE	SE 3.6	LA 036
Capacitate de găurire în oțel	3 mm	
Capacitate de găurire în lemn	6 mm	
Șuruburi pt. lemn (fără pregătire)	4,5 mm	
Viteza de mers în gol, prima treaptă de putere	200 min ⁻¹	
Viteza de mers în gol, a 2-a treaptă	600 min ⁻¹	
Cuplu		
Cuplu scăzut *1	4,5 Nm	
Cuplu mare *1	6,5 Nm	
Capacitate de înșurubare cu un acumulator complet încărcat (2,0 A) *2		
4x30 lemn moale	140	
Tensiune acumulator	3,6 V	
Greutate cu acumulator	0,575 kg	

Informație privind zgomotul/vibrațiile

Valori măsurate determinate conform EN 60 745.

Nivelul de zgomot evaluat cu A al aparatului este tipic de:

 Nivelul presiunii sonore (K=3 dB(A))..... 56 dB (A)

 Nivelul zgomotului în timpul lucrului poate depăși 85 dB (A)

Purtați căști de protecție

Valorile totale de oscilație (suma vectorială pe trei direcții) determinate conform normei EN 60745.

Valoarea emisiei de oscilații ah

Găurit în metal	2,8 m/s ²
Nesiguranță K	1,5 m/s ²
Înșurubare	< 2,5 m/s ²
Nesiguranță K	1,3 m/s ²

Interval de tensiuni	3,6 V
Curent de încărcare rapidă NiCd / NiMH / Li-Ion	1,8 A
Încărcare de întreținere	50-100 mA
Timpe de încărcare baterie NiCd 1,4 Ah	ca. 45 min
Timpe de încărcare baterie NiMH 2,0 Ah	ca. 65 min
Timpe de încărcare baterie Li-Ion 1,5 Ah	ca. 60 min
Greutate fără cablu	285 g

*1 Măsurată conform normei AEG N 877318

*2 Valorile stipulate sunt valori de referință (a 2-a treaptă). Valorile actuale pot diferi, în funcție de material și calitatea șuruburilor.

AVERTISMENT

Gradul de oscilație indicat în prezentele instrucțiuni a fost măsurat în conformitate cu o procedură de măsurare normată prin norma EN 60745 și poate fi folosit pentru a compara uneltele electrice între ele. El se pretează și pentru o evaluare provizorie a solicitării la oscilații.

Gradul de oscilație indicat reprezintă aplicațiile principale ale uneltelor electrice. În cazul în care însă uneltele electrice au fost folosite pentru alte aplicații, ori au fost folosite uneltele de muncă diferite ori acestea nu au fost supuse unei suficiente inspecții de întreținere, gradul de oscilație poate fi diferit. Acest fapt poate duce la o creștere netă a solicitărilor la oscilații dealungul întregii perioade de lucru.

În scopul unei evaluări exacte a solicitării la oscilații, urmează să fie luate în considerație și perioadele de timp în care aparatul a fost oprit ori funcționează dar, în realitate, el nu este folosit în mod practic. Acest fapt poate duce la o reducere netă a solicitărilor la oscilații dealungul întregii perioade de lucru.

Stabiliți măsuri de siguranță suplimentare în scopul protecției utilizatorului de efectele oscilațiilor, de exemplu: inspecție de întreținere a uneltelor electrice și a celor de muncă, păstrarea caldă a mâinilor, organizarea proceselor de muncă.

⚠ AVERTISMENT! Citiți toate avizele de siguranță și indicațiile, chiar și cele din borșura alăturată. Nerespectarea indicațiilor de avertizare și a instrucțiunilor poate provoca electrocutare, incendii și/sau răni grave.
Păstrați toate indicațiile de avertizare și instrucțiunile în vederea utilizărilor viitoare.

INSTRUCȚIUNI DE SECURITATE

Țineți aparatul de mânerul izolat când executați lucrări la care scula tăietoare poate nimeri peste conductori electrici ascunși sau peste cablul propriu. Contactul cu un conductor sub tensiune determină punerea sub tensiune a componentelor metalice ale mașinii și duce la electrocutare.

Purtați aparatoarele de urechi. Expunerea la zgomot poate produce pierderea auzului.

Purtați întotdeauna ochelari de protecție atunci când utilizați mașina. Se recomandă purtarea mănușilor, a încălțămintei solide nealunecoase și sortului de protecție.

Rumegușul și spanul nu trebuie îndepărtate în timpul funcționării mașinii.

Când se lucrează pe pereți, tavan sau dușumea, aveți grijă să evitați cablurile electrice și țevile de gaz sau de apă.

Scoateți acumulatorul înainte de a începe orice intervenție pe mașină.

Nu aruncați acumulatorii uzați la containerul de reziduri menajere și nu îi ardeți. AEG Distributors se oferă să recupereze acumulatorii vechi pentru protecția mediului înconjurător.

Nu depozitați acumulatorul împreună cu obiecte metalice (risc de scurtcircuit)

Folosiți numai încărcătoare System SE36 pentru încărcarea acumulatorilor System SE36. Nu folosiți acumulatori din alte sisteme.

Acidul se poate scurge din acumulatorii deteriorați la încălzirea sau temperaturi extreme. În caz de contact cu acidul din acumulator, spălați imediat cu apă și săpun. În caz de contact cu ochii, clătiți cu atenție timp de cel puțin 10 minute și apelați imediat la îngrijire medicală.

Următoarele pachete de acumulatori pot fi încărcate cu acest încărcător:

Tensiune	acumulator	care dă acumulatorului	numărul de elemente ale
3,6 V	SB 3.6	≥ 1,4 Ah	3
3,6 V	SM 3.6	≥ 2,0 Ah	3
3,6 V	SL 3.6	≥ 1,5 Ah	1

Nu încercați să încărcăți acumulatorii nereîncărcabili cu acest încărcător.

Nu se permite introducerea nici unei piese metalice în locașul pentru acumulator al încărcătorului. (risc de scurtcircuit)

Nu deschideți niciodată acumulatorii și încărcătoarele și pastrați-le numai în încăperi uscate. Pastrați-le întotdeauna uscate.

Nu atingeți aparatul cu obiecte conducătoare de electricitate.

Nu încărcăți niciodată o baterie deteriorată. Înlocuiți cu una nouă.

Înainte de utilizare, verificați mașina, cablul și stecarul pentru orice defecțiuni sau uzură a materialului. Reparațiile vor fi efectuate numai de către agenții de servicii autorizați.

Acest aparat nu este destinat folosirii de către persoane (inclusiv copii) cu abilități psihice, senzoriale sau mentale limitate sau fără experiență și/sau fără cunoștințele necesare, exceptând cazul în care acestea sunt supravegheate de o persoană responsabilă de siguranța lor sau dacă au primit de la această persoană indicații legate de modul de folosire al aparatului.

Copiii trebuie supravegheați pentru a asigura faptul că ei nu se joacă cu aparatul.

CONDIȚII DE UTILIZARE SPECIFICATE

Mașina de găurit / de înșurubat cu acumulator este destinată operațiilor de găurire și înșurubare, pentru utilizare independentă, departe de sursele de alimentare.

Încărcătorul rapid poate încărcă acumulatorii AEG (System SE36) de la 3,6 V.

Nu utilizați acest produs în alt mod decât cel stabilit pentru utilizare normală

ALIMENTARE DE LA REȚEA LA 036

Conectați numai la priză de curent alternativ monofazat și numai la tensiunea specificată pe placuța indicatoare. Se permite conectarea și la prize fără împământare dacă modelul se conformează clasei II de securitate.

DECLARAȚIE DE CONFORMITATE

Declarăm pe propria răspundere că acest produs este în conformitate cu următoarele standarde sau documente standardizate: EN 60745, EN 55014-1, EN 55014-2, EN 60335, EN 61000-3-2, EN 61000-3-3, EN 50 366 în conformitate cu reglementările 98/37/EC, 2006/95/EC, 2004/108/EC.



Winnenden, 2009-05-19

Rainer Kumpf
Manager Product Development

INSTRUCȚIUNI DE UTILIZARE

Nu acționați niciodată întrerupătorul motorului în timp ce mașina este în funcțiune. Folosiți întrerupătorul numai când mașina este oprită.

ACUMULATORI

Noile pachete de acumulatori ating capacitatea totală de încărcare după 4-5 încărcări și descărcări. Acumulatorii care nu au fost utilizați o perioadă de timp trebuie reîncărcați înainte de utilizare.

Temperatura mai mare de 50°C (122°F) reduce performanța acumulatorului. Evitați expunerea prelungită la căldură sau radiație solară (risc de supraîncălzire)

Contactele încărcătoarelor și acumulatorilor trebuie păstrate curate.

Notă generală referitoare la acumulatorii NiMH: Capacitatea acumulatorului este redusă când temperatura scade sub -10°C. Păstrarea pe termen lung la temperaturi mai mari de +40°C poate avea efecte negative asupra capacității acumulatorului.

CARACTERISTICI

După introducerea acumulatorului în locașul lui din încărcător, acumulatorul se va încălca automat (lampa de control galbenă este aprinsă continuu).

Când un acumulator rece sau fierbinte este introdus în încărcător (becul roșu clipește), încărcarea va începe automat odată ce

bateria atinge temperatura corectă de încărcare (NiCd/NiMH -5°C...50°C, Li-Ion 0°C...55°C).

Timpul de încărcare variază în funcție de temperatura acumulatorului, încărcarea dorită și tipul de acumulator care trebuie încărcat.

De îndată ce încărcarea s-a încheiat, încărcătorul comută pe încărcare intermitentă pentru a menține capacitatea totală (lampa verde de control este aprinsă continuu)

Nu este necesar să scoateți acumulatorul după încărcare. Acumulatorul poate fi ținut permanent în încărcător fără a exista pericolul de supraîncărcare.

Dacă ambele leduri clipeșc în același timp, atunci fie bateria nu a fost montată complet, fie există o defecțiune în baterie sau încărcător. Din rațiuni de securitate, trebuie să opriți utilizarea încărcătorului și bateriei imediat și să le trimiteți spre inspecție la un centru AEG de servicii pentru clienți

INTREȚINERE

Când cordonul de alimentare al acestui aparat este deteriorat, el trebuie înlocuit numai de către un atelier de reparații stabilit de către producător, deoarece sunt necesare scule speciale.

Utilizați numai accesorii și piese de schimb AEG. Dacă unele din componente care nu au fost descrise trebuie înlocuite, vă rugăm contactați unul din agenții de servicii AEG (vezi lista noastră pentru servicii / garanție)

Dacă ambele LED-uri clipeșc, fie că acumulatorul nu a fost împins la refuz în locaș, fie că acumulatorul sau aparatul de încărcare are un defect. Întrerupeți imediat, din motive de siguranță, funcționarea aparatului de încărcare și a acumulatorului și lăsați-le să fie verificate la punctul de servicii AEG.

SIMBOLURI



Vă rugăm citiți cu atenție instrucțiunile înainte de pornirea mașinii



Accesorii - Nu este inclus în echipamentul standard, disponibil ca accesoriu



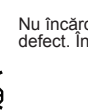
Îndepărtați acumulatorul înainte de începerea lucrului pe mașina



Nu aruncați scule electrice în gunoii menajere! Conform directivei europene nr. 2002/96/EC referitor la aparate electrice și electronice uzate precum și la transparența acesteia în drept național, sculele electrice trebuie colectate separat și introduse într-un circuit de reciclare ecologic.



Nu ardeți pachetele de acumulatori uzate



Nu încărcăți niciodată un pachet de acumulatori defect. Înlocuiți cu unul nou.

ТЕХНИЧКИ ПОДАТОЦИ

Капацитет на дупчење во челик	3 mm
Капацитет на дупчење во дрво	6 mm
Шrafoви во дрво (без предходно дупчење)	4,5 mm
Брзина без оптоварување, 1ва брзина	200 min ⁻¹
Брзина без оптоварување, 2ра брзина	600 min ⁻¹
Спрега торк	
Низок торк *1	4,5 Nm
Висок торк *1	6,5 Nm
Капацитет на зашрафување со една комплетно наполнета батерија (2,0 Ah)*2	
4x30 Меко дрво	140
Волтажа на батеријата	3,6 V
Тежина со батерија	0,575 kg

Информација за бучавата/вибрациите

Измерените вредности се одредени согласно стандардот EN 60 745.

A-оценетото ниво на бучава на апаратот типично изнесува:

Ниво на звучен притисок. (K = 3dB(A)) 56 dB (A)

Нивото на звук кога работи може да надмине 85 dB (A).

Носте штитник за уши.

Вкупни вибрациски вредности (векторски збир на трите насоки) пресметани согласно EN 60745.

Вибрациска емисиона вредност ah	
Дупчење во метал	2,8 m/s ²
Несигурност K	1,5 m/s ²
Зашрафување	< 2,5 m/s ²
Несигурност K	1,3 m/s ²

Скала на волтажа	3,6 V
Тек на брзо полнење NiCd / NiMH / Li-Ion	1,8 A
Одржување на полнење	50-100 mA
Време потребно за полнење на батеријата NiCd 1,4 Ah	ca. 45 min
Време потребно за полнење на батеријата NiMH 2,0 Ah	ca. 65 min
Време потребно за полнење на батеријата Li-Ion 1,5 Ah	ca. 60 min
Тежина без кабел	285 g

*1 Мерни во зависност од AEG норма N 877318

*2 Наведените вредности се референтни вредности. Вистинските вредности може да се разликуваат, во зависност од материјалот и квалитетот на шrafoвите.

ПРЕДУПРЕДУВАЊЕ

Нивото на осцилација наведено во овие инструкции е измерено во согласност со мерните постапки нормирани во EN 60745 и може да биде употребено за меѓусебна споредба на електро-алати. Ова ниво може да се употреби и за привремена проценка на оптоварувањето на осцилацијата.

Наведеното ниво на осцилација ги репрезентира главните намени на електро-алатот. Но, доколку електро-алатот се употребува за други намени, со отстапувачки додатоци или со несоодветно одржување, нивото на осцилација може да отстапи. Тоа може значително да го зголеми оптоварувањето на осцилацијата за време на целиот работен период.

За прецизна проценка на оптоварувањето на осцилацијата предвид треба да бидат земени и времињата, во коишто апаратот е исклучен или работи, но фактички не се употребува. Тоа може значително да го намали оптоварувањето на осцилацијата за време на целиот работен период.

Утврдете дополнителни безбедносни мерки за заштита на операторот од влијанието на осцилациите, како на пример: одржување на електро-алатот и на додатоци кон електро-алатот, одржување топли раце, организација на работните процеси.

⚠ ПРЕДУПРЕДУВАЊЕ! Прочитајте ги сите безбедносни упатства и инструкции. Заборавање на почитувањето на безбедносните упатства и инструкции можат да предизвикаат електричен удар, пожар и/или тешки повреди.
Сочувајте ги сите безбедносни упатства и инструкции за во иднина.

УПАТСТВО ЗА УПОТРЕБА

Држете го електричниот алат за издадените површини при изведување на операции при кои алатот за сечење можат да дојдат во контакт со скриени жици или сопствениот гајтан. Контакт со жица под напон исто така ќе направи проводници од металните делови и оној кој ракува со алатот ќе доживее струен удар.

Носете штитник за уши. Изложеноста на бука може да предизвика губење на слухот.

Секогаш носете ракавици кога ја користите машината. Исто така препорачливо е да се носат очила, цврсти чевли кои не се лизгаат и престилка.

Прашината и струготините не смеат да се одстрануваат додека е машината работи.

Кога работите на сидови, таван или под внимавајте да ги избегнете електричните, гасните и водоводни инсталации.

SE 3.6 LA 036

Со овој полнач не се обидувајте да полните батерии кои не се напојуваат.

Метални парчиња не смеат да навлезат во делот за полнење на батерија (ризик од краток спој).

Не ги отворајте насилно батериите и полначите, и чувајте ги само на суво место. Чувајте ги постојано суви.

Не го допирајте алатот со предмети кои се проводници на струја.

Не полнете оштетените батерии. Заменете ги со нови.

Пред употреба проверете дали машината, кабелот и приклучокот се исправни. Ако се оштетени дозволени се поправки исклучиво од авторизиранiot сервис.

Овој уред не е наменет за употреба од страна на лица (вклучувајќи и деца) со ограничени физички, сензорни или ментални способности или со недостаток на искуство и / или недостаток на знаење, освен доколку тие лица се под надзор на лице, кое е надлежно за нивната безбедност, или доколку од тоа лице добиваат инструкции за тоа, како да се користи апаратот.

Децата треба да бидат под надзор за да бидете сигурни, дека тие не играат со апаратот.

СПЕЦИФИЦИРАНИ УСЛОВИ НА УПОТРЕБА

Дупчалката на батерија/шrafoцигерот е дизајниран за дупчење и зашрафување, независна употреба далеку од главното напојување.

Бриот полнач може да полни AEG SE36 батерии од 3,6V.

Не го користете овој производ во лиа кој друг начин освен пропишаниот за нормална употреба.

ГЛАВНИ ВРСКИ

Да се спои само за една фаза AC коло и само на главниот напон наведен на плочката. Можно е исто така и поврзување на приклучок без заземјување доколку изведбата соодветствува на безбедност од 2 класа.

ЕУ-ДЕКЛАРАЦИЈА ЗА СООБРАЗНОСТ

Ние во целосна одговорност изјавуваме дека овој производ е во сообразност со следните стандарди и стандардизирани документи. EN 60745, EN 55014-1, EN 55014-2, EN 61000-3-2, EN 61000-3-3, EN 50 366, и е во согласност со прописите 98/37/EC, 2006/95/EC, 2004/108/EC



Winnenden, 2009-05-19

Rainer Kumpf

Rainer Kumpf
Manager Product Development

СОВЕТ ЗА КОРИСТЕЊЕ

Никогаш не поместувајте го менувачот за брзина при вклучена машина, туку само во состојба на мирување.

БАТЕРИИ

Нови комплекти батерии постигнуваат целосен капацитет по 4-5 циклуса на полнење и празнење. Подолг период неупотребувани комплекти батерии да се наполнат пред употреба.

Температура повисока од 50oC (122oF) го намалуваат траењето на батериите. Избегнувајте подолго изложување на батериите на високи температури или сонце (ризик од прегревање).

Клемите на полначот и батериите мора да бидат чисти.

Основни упатства за NiMH батериите: Капацитетот на батеријата е намален кога температура е под -10oC. Долгорочно чување на батериите на температури повисоки од +40 oC може да има негативен ефект врз капацитетот на батеријата.

КАРАКТЕРИСТИКИ

По поставувањето на батеријата во лежиштето на полначот, таа ќе започне автоматски да се полни (жолтата светилка свети постојано)

Кога премногу жешки или ладни батерии се поставени во полначот (третка жолта светилка) тој автоматски ќе започне да ги полни истите откако ќе ја постигнат дооветната температура за напојување (NiCd/NiMH -5°C...50°C, Li-Ion 0°C...55°C).

Времето за напојување варира зависно од температурата на батериите, потребното напојување и типот на батериите кои се полнат.

Штом полнењето е завршено, полначот се префрла на „лесно,, полнење да се постигне целосен капацитет (зелената сијаличка свети постојано)

Нема потреба да се извади батеријата од полначот откако ќе биде наполнета. Батеријата може да остане во полначот без опасност истата да биде пренаполнета.

Доколку светкаат двата ЛЕД-а, или батеријата не е целосно вметната или постои грешка на батеријата или на уредот за полнење. Веднаш ставете ги уредот за полнење и батеријата вон употреба и дозволете да биде извршена проверка во некоја од службите за клиенти на AEG.

ОДРЖУВАЊЕ

Доколку кабелот за напојување е оштетен, мора да се замени исклучиво во специјализираните продавници препорачани од производителот, бидејќи се потребни алати специјално за таа намена.

Користете само AEG додатоци и резервни делови. Доколку некои од компонентите кои не се опишани треба да бидат заменети, Ве молиме контактирајте ги сервисните агенти на AEG (консултирајте ја листата на адреси).

Доколку е потребно можно е да биде набавен детален приказ на алатот. Ве молиме наведете го бројот на артиклот како и типот на машина и е отпечатен на етикетата и порачајте ја скицата кај локалниот застапник или директно кај: AEG Elektrowerkzeuge, Max-Eyth-Straße 10, D-71364 Winnenden, Germany.

СИМБОЛИ



Ве молиме пред да ја стартувате машината обрнете внимание на упатствата за употреба.



Дополнителна опрема - Не е вклучена во стандардната, а достапна е како додаток.



Извадете го батерискиот склоп пред отпочнување на каков и да е зафат врз машината.



Не ги фрлајте електричните апарати заедно со другиот домашен отпад! Европска регулатива 2002/96/EC за одлагање на електрична и електронска опрема и се применува согласно националните закони. Електричните апарати кои го достигнале крајот на својот животен век мора да бидат одвоено собрани и вратени во соодветна рециклажна установа.



Не го горете искористениот батерискиот склоп.



Никогаш не полнете оштетена батерија. Заменете ја со нова.



技术数据	SE 3.6	LA 036
钻孔直径在钢材.....	3 mm	
钻孔直径在木材.....	6 mm	
木材螺丝（不必先钻孔）.....	4,5 mm	
第一档的无负载转速.....	200 min ⁻¹	
第二档的无负载转速.....	600 min ⁻¹	
扭力		
在软件上拧紧螺丝 *1.....	4,5 Nm	
在硬件上拧紧螺丝 *1.....	6,5 Nm	
静态阻滑扭力，1/2 档 *1		
4x30 在软木.....	140	
蓄电池电压.....	3,6 V	
包含蓄电池的重量.....	0,575 kg	

噪音/振动信息
 本测量值符合 EN 60 745 条文的规定。
 器械的标准A-值噪音级为：
 音压值 (K = 3 dB(A))..... 56 dB (A)
 工作时的噪音值可能超过 85 dB(A)。
 请戴上护耳罩！

依欧盟EN 60745 标准确定的振荡总值（三方向矢量和）。

ah-振荡发射值	
金属钻孔.....	2,8 m/s ²
K-不可靠性.....	1,5 m/s ²
拧螺丝.....	< 2,5 m/s ²
K-不可靠性.....	1,3 m/s ²

电压范围.....	3,6 V
快速充电的充电电流 NiCd / NiMH / Li-Ion.....	1,8 A
保存充电.....	50-100 mA
充电时间 NiCd 1,4 Ah.....	ca. 45 min
充电时间 NiMH 2,0 Ah.....	ca. 65 min
充电时间 Li-Ion 1,5 Ah.....	ca. 60 min
不含电线重量.....	285 g

*1 根据 AEG N 877318 号检验标准所测得

*2 本资料只供参考 (2 档)。如果使用不同的材料和螺丝，所得的数据可能和本资料有所出入。

注意

本规程列出的依欧盟EN 60745 标准一项标准测量方法测量的振荡级也可用于电动工具比较并适合于临时振荡负荷估计。
 该振荡级代表电动工具的主要应用。电动工具的其他应用，不正确的工作工具或欠缺维护可造成振荡级偏差。此可明确提高总工作期间的振荡负荷。

正确地估计一定工作期间的振荡负荷也要考虑到工具关闭或接通而不使用的期间。此可明确减少总工作期间的振荡负荷。

为提高操作人员对振荡作用的保护得规定补充安全措施：电动工具及工作工具的维护，温手，工作过程组织等。

⚠ 注意！务必仔细阅读所有安全说明和安全指示（应注意阅读附上的小册子）。如未确实遵循警告提示和指示，可能导致电击、火灾并且/或其他的严重伤害。
 妥善保存所有的警告提示和指示，以便日后查阅。请戴上耳罩。工作噪音会损坏听力。

特殊安全指示

切割工具会碰到隐藏电线或自己的电缆时，得将器械握住于其绝缘把手表面。锯片接触了带电的电线，会把电导向其它金属部位，並引起电击。请戴上耳罩。工作噪音会损坏听力。

操作机器时务必佩戴护目镜。最好也穿戴工作手套、坚固防滑的鞋具和工作围裙。

如果机器仍在运转，切勿清除其上的木屑或金属碎片。

在墙壁、天花板或地板工作时，必须特别注意被埋埋的电线、瓦斯管和水管。

工作尘往往有害健康，不可以让工作尘接触身体。工作时请佩戴合适的防尘面具。

损坏的蓄电池不可以丢入火中或一般的家庭垃圾中。AEG 提供了符合环保要求的回收项目： 请向您的专业经销商索取有关详情。

蓄电池不可以和金属物体存放在一起（可能产生短路）。

SE36 系列的蓄电池只能和 SE36 系列的充电器配合使用。不可以使用本充电器为其它系列的电池充电。

在过度超荷或极端的温度下，可能从损坏的蓄电池中流出液体。如果触摸了此液体，必须马上使用肥皂和大量清水冲洗。如果此类流体侵入眼睛，马上用清水彻底清洗眼睛（至少冲洗 10 分钟），接着即刻就医治疗。

本充电器可为以下的电池充电：

电压	蓄电池种类	额定电量	充电格数目
3,6 V	SB 3.6	≥ 1,4 Ah	3
3,6 V	SM 3.6	≥ 2,0 Ah	3
3,6 V	SL 3.6	≥ 1,5 Ah	1

本充电器不可以为非充电式电池充电。

充电器的充电格中，不可以存在任何金属物质（可能产生短路）。

不可拆开蓄电池和充电器。蓄电池和充电器必须储藏在干燥的空间，勿让湿气渗入。

不可以把导电物体放入充电器中。

蓄电池如果损坏了则不可以继续充电，必须马上更换新的电池。

使用之前，先检查机器、电源电线、电池组、延长线和插头是否有任何损坏。损坏的零件只能交给专业电工换修。

除非负责安全或给予本器械操作指示的人员在场，身体、感觉或精神机能障碍者或缺乏经验和/或缺乏知识的人员（包括小孩）不得使用本器械。
 应照管小孩，不要让小孩弄本器械。

正确地使用机器

可以使用本电动螺丝起子钻进行钻孔和松、紧螺丝作业，并且不需连接电源。

本快速充电器可为 SE36 3,6 V 系列的 AEG 蓄电池充电。

请依照本说明书的指示使用此机器。

电源插头 LA 036

只能连接单相交流电，只能连接机器铭牌上规定的电压。本机器也可以连接在没有接地装置的插座上，因为本机器的结构符合第II 级绝缘。

操作机器时的注意事项

开动机器后千万不可以使用换档器，待机器完全静止时才可以换档。

蓄电池

新的蓄电池经过 4 - 5 次的充、放电后，可达到最大的容量。长期储放的蓄电池，必须先充电再使用。

如果周围环境的温度超过摄氏 50 度，蓄电池的功能会减弱。勿让蓄电池长期暴露在阳光或暖气下。

充电器和蓄电池的接触点都必须保持干净。

针对镍氢蓄电池的一般性指示：

当温度低于摄氏零下 10 度时，蓄电池的功率会明显降低。如果蓄电池长期暴露在超过摄氏 40 的高温中，将对蓄电池的容量产生负面影响。

特点

把蓄电池装入充电器的充电格后，充电器便开始进行充电（黄色指示灯持续亮着）。

如果装入充电格的蓄电池过热或温度过低，充电器不充电（红色指示灯开始闪烁）。待蓄电池的温度恢复到可充电的温度范围后，充电器便会自动进入充电状态（摄氏 -5 度..摄氏 50 度）。

但是以下各因素会影响充电时间： 蓄电池温度、充电器中蓄电池的数量以及蓄电的容量等。

充电完毕后，机器会进入保存充电状态。以便保存最高电量（绿色指示灯持续亮着）。

充电完毕后，不必从充电器中取出蓄电池。蓄电池可以长期储放在充电器中。蓄电池不会因此而超量充电，您也可以随时取出电池使用。

两个LED灯闪亮时，蓄电池不完全插入充电器或蓄电池或充电器有故障。为了安全起见，请即刻停止使用充电器和蓄电池并送至AEG服务所维修。

维修

如果机器的电源电线受损，必须把机器交给 AEG 的顾客服务中心修理，因为换修电源电线必须使用特殊的工具。

只能使用 AEG 的配件和零件。缺少检修说明的机件如果损坏了，必须交给 AEG 的顾客服务中心更换（参考手册“保证书 / 顾客服务中心地址”）。

如果需要机器的分解图，可以向您的顾客服务中心或直接向 AEG Elektrowerkzeuge, Max-Eyth-Straße 10, D-71364 Winnenden, Germany. 案件时必须提供以下资料： 机型和机器铭牌上的十位数字号码。

符号



使用本机器之前请仔细阅读使用说明书。



配件 - 不包含在供货范围中。请另外从配件目录选购。



在机器上进行任何修护工作之前，先拿出蓄电池。



不可以把损坏的电动工具丢弃在家庭垃圾中！根据被欧盟各国引用的有关旧电子机器的欧洲法规 2002/96/EC，必须另外收集旧电子机器，并以符合环保规定的方式回收再利用。



不可以把充电电池丢入火中。



蓄电池如果损坏了则不可以继续充电，必须马上更换新的电池。

AEG

POWERTOOLS

www.aeg-pt.com

(05.09)
4931 2890 74



AEG Elektrowerkzeuge
Max-Eyth-Straße 10
D-71364 Winnenden
Germany