

 **FELISATTI**®

APF200/1010LE



- (GB)** Operating Instructions
- (E)** Instrucciones de servicio
- (F)** Mode d'emploi
- (I)** Istruzioni per l'uso
- (D)** Bedienungsanleitung
- (P)** Instruções de utilização
- (RU)** Инструкция по эксплуатации

TELESCOPIC WALL SANDER
LIJADORA DE PARED TELESCÓPICA
PONCEUSE TELESCOPIQUE POUR MUR
SMERIGLIATRICE A PARETE TELESCOPICA
TELESKOP-WANDSCHLEIFER
LIXADORA TELESCÓPICA DE PAREDE
ТЕЛЕСКОПИЧЕСКИЙ АППАРАТ
ДЛЯ ШЛИФОВКИ СТЕН



Fig. 1

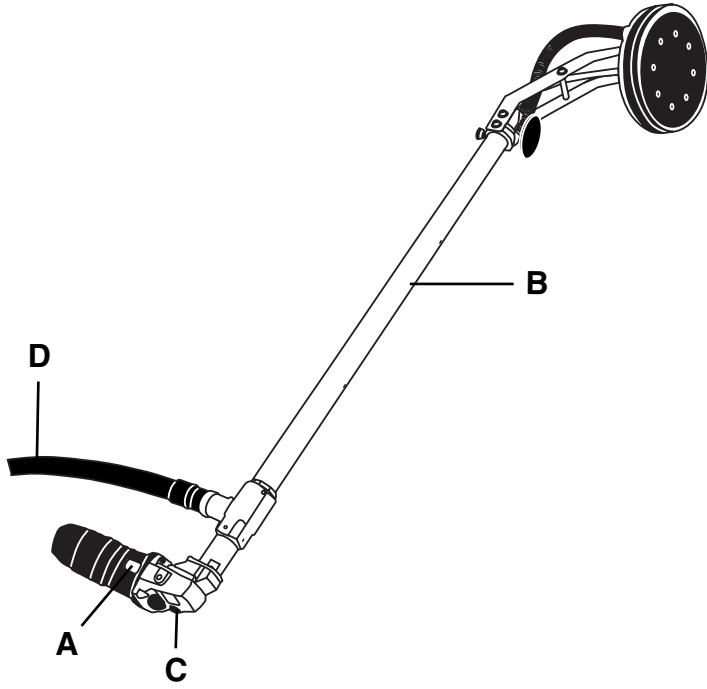


Fig. 2

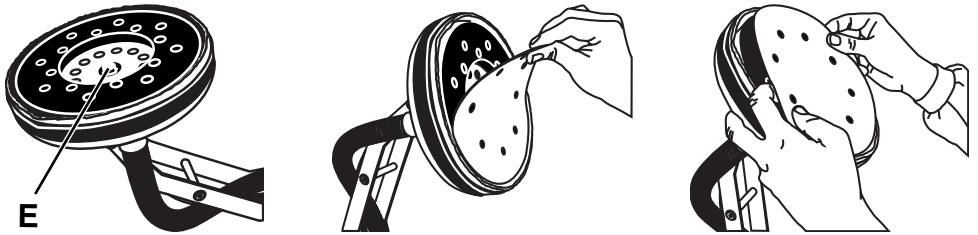
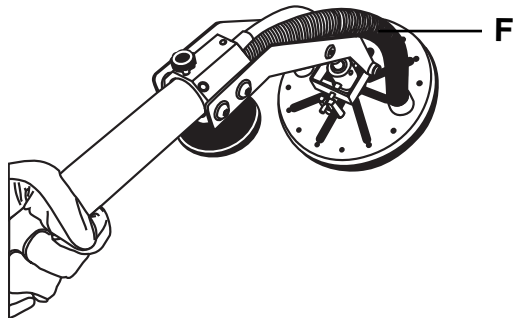


Fig. 3



TECHNICAL DATA

| Telescopic wall sander | | APF200/1010LE |
|-------------------------------------|-----|---------------|
| Input power | W | 1010 |
| No-load speed | rpm | 800-1600 |
| Maximum diameter of sandpaper sheet | mm | 200 |
| Spindle thread | ISO | M14 |
| Approx. weight (without acces.) | Kg | 3.8 |

The instructions contained in this manual must be strictly followed, it should be carefully read and kept close at hand to use when carrying out maintenance on the indicated parts.

If the machine is used carefully and normal maintenance is carried out, it will work well for a long time.

The functions and use of the tool you have bought shall be only those described in this manual. **Any other use of the tool is strictly forbidden.**

ILLUSTRATIONS

DESCRIPTION (See figures)

- A Start-up switch (Fig.1)
- B Adapter kit (Fig.1)
- C Spindle blocking button (Fig.1)
- D Dust output (Fig.1)
- E Foam plate fixing screw (Fig.2)
- F Aspiration tube (Fig.3)

EQUIPMENT

- 1 diamond disk assembly kit (diamond disk not included)
- Operating instructions
- Safety instructions
- Warranty

SAFETY INSTRUCTIONS

- See **“Safety Instructions”** manual, supplied with this instruction manual.
- **WARNING!** Material containing asbestos must not be polished. Working with materials containing amianthus/asbestos and/or silica stones produces a dust, which is harmful to health. Protect yourself from inhaling this dust, in compliance with current regulations on accident prevention.
- For your personal safety, always connect the machine to a mains supply protected by a differential and thermal cutout switch, in accordance with regulations on low-voltage wiring sitemaps.
- Do not pierce the motor housing as this could damage the double insulation (use adhesive labels).
- Check the work area with a metal detector for hidden wires, gas and/or water pipes.
- Always unplug the machine before carrying out work on it.
- Always stop the machine by switching it off, not by unplugging it.
- **WARNING!** Before each use, inspect the plug and lead. Should they need replacing, have this done by an official service centre.
- Always keep the mains lead clear of the working range of the machine.
- Only plug the machine in when it is switched off.

- Hold the machine firmly in both hands and in a stable position.
- Check that the stated disc speed is equal to or greater than the polisher’s rated speed.
- Verify that the disc dimensions are compatible with the polisher.
- The abrasive discs should be handled and kept with the utmost care, in accordance with the manufacturer’s instructions.
- Protect the polisher from knocks, collisions and grease.
- Check the disc carefully before use to make sure it is not damaged or cracked. Replace cracked or damaged discs immediately.
- Make sure the discs are fitted in accordance with the manufacturer’s instructions.
- Check that the disc has been properly fitted and secured before using the machine. Start the machine with no load and run for 30 seconds in a safe position; if you notice serious vibration or any other defect stop the machine immediately. This may be a sign of incorrect fitting or a badly balanced disc.
- Use only clamps or plates specified for this tool. Do not use separate bushings or adapters to adapt grinding discs with large holes.
- In machines designed to be used with accessories with threaded holes, check that the thread on the disc is long enough to take the length of the spindle.
- Beware of shavings that fly off. Hold the tool that so that sparks fly away from you or other people and inflammable materials.
- When working on stone, use dust extraction equipment and wear a mask.
- In order for the job to be effective, you should select, based on the material and surface finish, the appropriate size and abrasive.
- Do not touch rotating polishing tools.
- **WARNING!** The disc will continue to rotate for a time after the machine is switched off.
- When working with the machine, always wear safety goggles and ear protection. Other personal protection equipment such as dust masks, gloves, helmet and apron should be worn when necessary, along with non-slip safety footwear. When considering the need to use a protective mask against the dust, this should also be for the possible harmful effects of the polished material and paint or other surface coating. If in doubt, use safety equipment.
- Make sure the vents are free when working with dust. If they require cleaning, first unplug the machine, do not use metal objects and avoid damaging internal parts.
- **WARNING!** Certain types of dust produced by mechanical polishing, sawing, grinding and drilling, together with other construction activities, contain

chemical agents which are known to cause cancer, congenital and other similar defects. Some examples of the chemical agents are given below: the lead in lead-based paint, crystalline silica from bricks and cement and other masonry products, and also arsenic and chromium from chemically treated wood. The risk deriving from this type of exposure varies and depends on the frequency with which this type of work is carried out. In order to reduce exposure to these chemical agents: work in a well ventilated area and work with approved safety equipment, such as face masks which are specially designed to filter out microscopic particles.

- **WARNING!** Pregnant women and children should not enter any area where paint is being sanded until it has been thoroughly cleaned. Pregnant women and children are at greater risk from lead poisoning.

BRIEF DESCRIPTION

This polisher has been designed to polish all types of construction and industrial surfaces.

BEFORE USING THIS TOOL

Before using the tool, make sure the mains voltage is correct: it must be the same as that on the specification label. Machines with 230V can also be connected to a 220-V mains supply.

FITTING SAFETY DEVICES

WARNING! Always unplug the machine before carrying out work on it.

Use of the auxiliary handle is obligatory in order to ensure greater control and safety when handling the tool.

FITTING THE ACCESSORIES (DISCS AND WHEELS)

WARNING! For safety reasons, the machine should always be unplugged from the mains before changing the disc or wheel. Always wear safety goggles.

WARNING! Never press the blocking button **C** when the machine is running. The shaft must have stopped completely before the blocking button is pressed.

To assemble the foam plate, proceed in the following manner:

1. With hexagonal key, unscrew screw **E** (Fig.2) and remove the washer.
2. Position the Velcro plate.
3. Replace the washer and screw on the screw with the help of the hexagonal key.
4. Once the disc is fitted, check that the blocking button has returned to its original position due to movement of the incorporated spring.

STARTING THE TOOL

WARNING! Check that the mains voltage is the same as that in the machine's specifications.

Plug the machine in with the switch off.

Start the machine by turning the switch **A** to position "ON". To switch off, do the same in reverse.

Constant electronic performance and speed adjustment
The built-in module permits:

- Soft start.
- The maintenance of a practically constant rated speed up to rated power.

- An overload protection system by means of current cut-off in the case of motor overload, in which case the burring machine shuts down and re-starts when the grinding pressure has been reduced.

The electronic speed regulator enables the speed to be set to different positions from 1 to 6. The most appropriate speed should be selected according to the part to be polished.

PRECAUTION: The speed regulator can only be turned to position 6 and then be returned to position 1. It must never be forced beyond 6 or 1, since this could cause damage to the machine.

Overload protection

The motor will stop if an overload occurs. The machine should be immediately removed from the piece being worked and allowed to operate off-load at maximum revolutions during some thirty seconds in order to cool the motor.

WORKING INSTRUCTIONS

Do not use the sander without the abrasive disk.

To dry sand walls

Turn on the sander.

Place the sander lightly on the work area.

Apply only the pressure necessary to maintain the abrasive disk flat against the work area.

Maintain the movement of the sander while the disk is in contact with the work area. Use constant and broad movements.

Attention: do not let the spinning disk touch sharp protrusions, screws, nails, etc., because they could cause damage.

ATTENTION: limit of work pressure.

The tool always indicates beforehand its maximum work limit; this is seen by uncontrollable vibrations of the transmission cable due to pressure, revolutions or type of abrasive unsuitable for the work surface.

To avoid breaking the transmission cable, when uncontrollable vibrations are detected, remove the plate from the work surface for the amount of time necessary for the machine to recover (3-5 seconds), start working again moderating the pressure or regulating the speed of the tool.

Heavy force should never be applied to the machine. Excessive pressure may lead to jams, motor over-heating, burning of the part being polished and back-kicking.

Use sandpaper discs which are suitable for the surface to be worked and the required results.

Always maintain the abrasive disk parallel to the work surface.

PRECAUTION: During polisher operation, the electrical cable should always be kept behind to prevent it being trapped.

DUST EXTRACTION

WARNING! Always make sure that the tool is switched off and unplugged before fitting or removing any dust extraction device.

Dust extraction keeps the workplace clean, prevents dust build-up in the air and facilitates waste elimination.

These sanders are provided with a dust aspiration output which adapts to a universal vacuum or any other dust aspiration device.

CAUTION: Always use an aspiration extractor designed according to the guidelines applicable to dust emission.

The flexible hoses of conventional vacuum cleaners fit directly onto the dust extraction nozzle.

The aspirator should be suitable for the material being worked.

A special aspirator must be employed in those cases where dry harmful or carcinogenic dust is produced.

ACCESSORIES

Accessories and their corresponding order number can be found in our catalogues.

MAINTENANCE AND CARE

WARNING! Always unplug the machine before carrying out work on it.

- **Inspect the tool:** Using a worn out polishing or polishing tool will reduce working efficiency.
- **Inspect the mounting screws:** Regularly inspect all the mounting screws and ensure they are firmly tightened. Should any screw be loose, tighten it immediately. Failure to do so could put you at serious risk.
- **Motor maintenance:** Always take the greatest care over this and make sure that the motor winding is not damaged and does not become wet with oil or water.
- The vents should always be kept clean and free of obstacles.
- Clean the machine thoroughly after each use. Blast the motor regularly with compressed air.
- Check that the mains lead is in good condition. If it is not, take it to an Official Service Centre to have it replaced.
- **Brush replacement:** The brushes should be replaced after 150 - 200 hours use or when they are less than 10 mm long. Have this done by an Official Service Centre. We recommend that at every second change of brushes, you take the machine to one of our Official Service Centres for general cleaning and oiling.
- Use only **Felisatti** accessories and spares. Parts the changing of which is not covered in this instruction manual, should be replaced in a **Felisatti** Official Service Centre (See Warranty/Official Service Centre address leaflet).



Do not dispose of electric tools in the household waste!

In accordance with European Directive 2002/96/EC relating to old electrical and electronic appliances and its translation into national law, used electric tools must be collected separately and recycled in an ecologically desirable way.

WARRANTY

See general warranty conditions printed on the attached sheet.

NOISE AND VIBRATION

This tool has been designed and made to reduce noise to a minimum. However, in spite of this, **in certain circumstances the maximum noise level in the place of work could exceed 85 dBA. In this case, the operator should wear ear protection.**

The machine's noise and vibration levels, measured in compliance with EN 60745-1, usually reach:

Acoustic pressure = 90 dB(A)

Sound-power level = 103 dB(A)

Use ear protection!

Vibration acceleration = 2.9 m/s²



DECLARATION OF CONFORMITY

We hereby declare, under our sole responsibility, that the **FELISATTI** brand products described in this manual APF200/1010LE comply with the following standards or standard documents: EN60745-1:2008, EN60745-2-3, EN60745-2-4, EN55014-1:2006+A1, EN55014-2:1997+A1+A2, EN61000-3-2:2006+A1+A2 and EN61000-3-3:2008 in accordance with EU Directives 2006/42/EC, 2006/95/EC, 2004/108/EC and 2002/95/EC.



Francisco Ruiz
Plant Mgr.

We reserve the right to make technical changes 07/2011

CARACTERÍSTICAS TÉCNICAS

| Lijadora de pared telescópica | | APF200/1010LE |
|-------------------------------|-----|---------------|
| Potencia absorbida | W | 1010 |
| Velocidad en vacío | rpm | 800-1600 |
| Diámetro máx. hoja abrasiva | mm | 200 |
| Rosca del eje de trabajo | ISO | M14 |
| Peso aprox. (sin acces.) | Kg | 3,8 |

Respetar escrupulosamente las instrucciones contenidas en este manual, leerlo con atención y tenerlo a mano para eventuales controles de las partes indicadas. Si se utiliza la máquina con cuidado y se cumple el normal mantenimiento, su funcionamiento será prolongado.

Las funciones y el uso de la herramienta que usted compró son sólo y exclusivamente aquellas indicadas en este manual. **Está totalmente prohibido cualquier otro uso de la herramienta.**

ILUSTRACIONES

DESCRIPCIÓN (Ver figura indicada)

- A Interruptor de mando (Fig.1)
- B Kit adaptador (Fig.1)
- C Botón de bloqueo del husillo (Fig.1)
- D Salida polvo (Fig.1)
- E Tornillo sujeción plato espuma (Fig.2)
- F Tubo aspiración (Fig.3)

EQUIPO DOTACIÓN DE LA MÁQUINA

- 1 kit montaje disco de diamante (disco de diamante no incluido)
- Manual de instrucciones de servicio
- Instrucciones de seguridad
- Documento de garantía

INSTRUCCIONES DE SEGURIDAD

- Ver el manual adjunto "**Instrucciones de seguridad**" que se suministra conjuntamente con el presente manual de instrucciones.
- **¡ATENCIÓN!** No se debe pulir material que contenga amianto. Al trabajar con materiales de amianto/asbesto y/o piedras de sílice, el polvo que se produce es perjudicial para su salud. Protéjase de la inhalación de ese polvo según normas de prevención de accidentes.
- Conecte siempre la máquina a una red protegida por interruptor diferencial y magnetotérmico, para su seguridad personal, según normas establecidas para instalaciones eléctricas de baja tensión.
- No perforar la carcasa de la máquina, pues se interrumpe el aislamiento de protección (utilizar rótulos adhesivos).
- Controlar el área de trabajo con un detector de metales ya que puede haber conductores eléctricos, tuberías de gas y/o agua ocultas.
- Desconecte siempre el enchufe antes de llevar a cabo cualquier trabajo en la máquina.
- Al parar la máquina debe hacerse siempre por medio del interruptor, no desconectando la clavija.
- **¡ATENCIÓN!** Cada vez que vaya a utilizar la máquina controle el estado del enchufe y del cable. Deje susti-

tuirlos por un especialista en el caso de que estén deteriorados.

- Mantener siempre el cable separado del radio de acción de la máquina.
- Enchufar la máquina a la red solamente en posición desconectada.
- Sostener siempre la máquina fuertemente con ambas manos y manteniendo una posición estable.
- Comprobar que la velocidad marcada en el disco sea igual o superior a la velocidad nominal de la pulidora.
- Asegurarse que las dimensiones del disco sean compatibles con la pulidora.
- Los discos abrasivos tienen que ser manipulados y guardados con cuidado de acuerdo con las instrucciones del fabricante.
- Proteger el útil de pulir y/o lijar contra golpes, choques y grasa.
- Comprobar cuidadosamente el disco para cerciorarse que no esté dañado ni tenga grietas antes de utilizarlo. Reemplazar inmediatamente los discos con grietas o dañados.
- Asegurarse que los discos se monten de acuerdo con las instrucciones del fabricante.
- Asegurarse que el producto abrasivo haya sido bien colocado y fijado antes de usar la máquina. Poner en marcha la máquina en vacío durante 30 segundos en una posición segura; si se detecta una vibración considerable u otros defectos parar inmediatamente la máquina. Esto puede indicar una instalación incorrecta o un disco mal equilibrado.
- Emplear sólo bridas o platinas especificadas para esta herramienta. No usar dolas reductoras separadas o adaptadores para adaptar los discos abrasivos con agujeros grandes.
- En máquinas pensadas para ir con accesorios con agujero de rosca, asegurar que la rosca en el disco es lo suficiente larga para aceptar la longitud del eje.
- Tener cuidado con las virutas que saltan. Sostener la herramienta de modo que las chispas salten donde no esté usted ni otras personas ni materiales inflamables.
- Al trabajar la piedra utilizar equipo para aspiración de polvo y llevar mascarilla antipolvo.
- Para que el trabajo sea efectivo debe seleccionarse, en función del material y acabado superficial, el tamaño y abrasivo adecuado.
- No tocar los útiles de pulir en rotación.
- **¡ATENCIÓN!** El disco se mantiene un tiempo en marcha girando tras la desconexión del aparato.
- Para trabajar con la máquina, utilizar siempre gafas de protección y protectores auditivos. Otros equipos de protección personal como mascarilla protectora de polvo, guantes, casco y mandil pueden usarse si es necesario, así como es recomendable usar calzado de seguridad antideslizante. Cuando se considere

la necesidad de usar máscara protectora contra el polvo es por las propiedades nocivas tanto del polvo del material pulido como de pintura u otro revestimiento de superficie. En caso de duda, se aconseja usar el equipo protector.

- Asegurarse que las aberturas de ventilación siempre estén libres cuando se trabaja con polvo. Si es necesario limpiar el polvo, primero desconectar la máquina, no utilizar objetos metálicos y evitar dañar las partes internas.
- **ADVERTENCIA:** Cierta polvo generado por el lijado, pulido, aserrado, amolado y taladrado mecánicos, y por otras actividades de construcción, contiene agentes químicos que se sabe que causan cáncer, defectos de nacimiento u otros daños sobre la reproducción. Algunos ejemplos de estos agentes químicos son: plomo de pinturas a base de plomo, sílice cristalina de ladrillos y cemento y otros productos de mampostería, y arsénico y cromo de madera tratada químicamente. Su riesgo por causa de estas exposiciones varía, dependiendo de la frecuencia con que realice este tipo de trabajo. Para reducir su exposición a estos agentes químicos: trabaje en un área bien ventilada y trabaje con equipo de seguridad aprobado, como por ejemplo máscaras antipolvo que estén diseñadas especialmente para impedir mediante filtración el paso de partículas microscópicas.
- **¡ADVERTENCIA!** Ningún niño o mujer embarazada deberá entrar en la zona de trabajo donde se esté lijando pintura hasta que toda la limpieza se haya llevado a cabo. El peligro de intoxicación con plomo se pronuncia en los niños y mujeres embarazadas.

DESCRIPCIÓN ABREVIADA

Esta pulidora ha sido diseñada para pulir y abrillantar todo tipo de superficies de construcción e industria.

ANTES DE USAR ESTA HERRAMIENTA

Antes de usar la herramienta, cerciorarse de que la tensión de la red sea correcta: La indicación de tensión en la placa de características debe coincidir con la tensión de red. Los aparatos a 230V pueden conectarse también a una tensión de red de 220V.

MONTAJE DE LOS DISPOSITIVOS DE SEGURIDAD

¡ATENCIÓN! Desconecte siempre el enchufe antes de llevar a cabo cualquier trabajo en la máquina.

Con el fin de tener un mejor control y seguridad en el manejo de la máquina, es obligatorio el uso de la empuñadura auxiliar.

MONTAJE DE LOS ACCESORIOS (DISCOS Y MUELAS)

¡ATENCIÓN! Por razones de seguridad, deberá desconectarse siempre la máquina de la red antes de proceder al cambio de disco o muela. Use siempre gafas de seguridad.

¡ADVERTENCIA! No presionar nunca el botón de bloqueo C con la máquina en marcha. Antes de apretar el botón de bloqueo, el eje debe estar completamente parado.

Para montar el plato de espuma, proceder de la siguiente manera:

1. Con la llave hexagonal desenroscar el tornillo **E** (Fig.2) y quitar la arandela.

2. Colocar el plato de velcro.

3. Volver a colocar la arandela y enroscar el tornillo con la ayuda de la llave hexagonal.

4. Una vez finalizada la operación de montaje, comprobar que el botón de bloqueo haya recuperado su posición inicial por efecto del muelle que lleva incorporado.

PUESTA EN MARCHA DE LA HERRAMIENTA

¡ATENCIÓN! Verificar que la tensión de la red coincida con la de las características de la máquina.

Conectar la máquina a la red con el interruptor desconectado.

La máquina se pone en marcha desplazando el interruptor de mando **A** hacia la posición "on". Para desconectar, actuar en sentido contrario.

Electrónica constante y regulación de la velocidad

El módulo incorporado permite:

- Arranque suave.

- Mantener la velocidad nominal prácticamente constante hasta la potencia nominal.

- Una protección de sobrecarga por limitación de corriente en caso de sobrecarga de motor, en cuyo caso, se para y vuelve a ponerse en marcha al reducir la presión de trabajo.

El regulador electrónico de velocidad permite ajustar la velocidad en diferentes posiciones en un número de ajuste dado del 1 al 6. Seleccionar la velocidad apropiada según el acabado y la pieza de trabajo que desee pulir.

PRECAUCIÓN: El regulador de velocidad puede girarse solamente hasta el número 6 y volver al número 1. No lo fuerce más allá del 6 o del 1, de lo contrario puede estropearse y dejar de funcionar.

Protección de una sobrecarga

En caso de una sobrecarga en el motor, éste se para. Retirar inmediatamente la presión de la máquina sobre la zona de trabajo y dejarlo funcionar en vacío al máximo de revoluciones durante unos 30 segundos para enfriar el motor.

INDICACIONES PARA EL TRABAJO

No use la lijadora sin el disco abrasivo montado.

Para lijar paredes en seco

Ponga la lijadora en marcha.

Coloque la lijadora ligeramente contra la superficie de trabajo.

Aplice sólo la suficiente presión para mantener el disco abrasivo plano contra la superficie de trabajo.

Mantenga el movimiento de la lijadora mientras el disco esté en contacto con la superficie de trabajo. Use un movimiento constante y amplio.

Atención: no deje que el disco giratorio toque salientes agudos, tornillos, clavos, etc., ya que puede resultar dañado.

ATENCIÓN: límite de la presión de trabajo.

La herramienta siempre indica por adelantado su límite extremo de trabajo, esto se manifiesta con vibraciones incontroladas del cable de transmisión debido a la presión, las revoluciones o el tipo de abrasivo no conveniente a la superficie que se está trabajando.

Para evitar la ruptura del cable de transmisión, cuando se detecten vibraciones incontroladas quitar el plato de

la superficie de trabajo el tiempo necesario para que la máquina se recupere (3 – 5 segundos), empezar de nuevo el trabajo moderando la presión o regulando la velocidad de la herramienta.

No fuerce nunca la herramienta. La presión excesiva puede causar atascos, sobrecalentamientos del motor, quemas de la pieza de trabajo y contragolpes.

Utilice discos abrasivos apropiados según la superficie a pulir/lijar y según los resultados deseados.

Mantener siempre el disco abrasivo paralelo a la superficie de trabajo.

PRECAUCIÓN: Durante el pulido/lijado es necesario mantener siempre el cable hacia atrás para evitar que lo pueda coger la máquina.

ASPIRACIÓN DEL POLVO

¡ADVERTENCIA! Asegurarse siempre que la herramienta está desconectada y desenchufada antes de instalar o extraer cualquier dispositivo de aspiración de polvo.

La aspiración del polvo reduce la suciedad del puesto de trabajo, evita un alto contenido de polvo en el aire a respirar y facilita la eliminación de residuos.

Estas lijadoras están provistas de una salida de aspiración del polvo en el cual se podrá adaptar un aspirador universal o cualquier otro dispositivo de aspiración del polvo.

¡PRECAUCIÓN! Utilice siempre un extractor de aspiración diseñado de acuerdo con las directrices aplicables en relación con la emisión de polvo.

Los tubos flexibles de aspiración de los aspiradores más comunes se ajustan directamente a la boca de extracción de polvo.

El aspirador debe ser el adecuado al material a trabajar. En caso de extraer polvo seco nocivo para la salud o incluso cancerígeno, debe emplearse un aspirador especial.

ACCESORIOS

Los accesorios y sus correspondientes números para pedido están reflejados en nuestros catálogos.

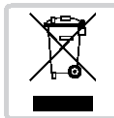
MANTENIMIENTO Y CUIDADOS

¡ATENCIÓN! Desconecte siempre el enchufe antes de llevar a cabo cualquier trabajo en la máquina.

- **Inspección de la herramienta:** La utilización de un útil de pulir o lijar gastado disminuirá la eficiencia de trabajo.
- **Inspeccionar los tornillos de montaje:** Regularmente inspeccionar todos los tornillos de montaje y asegurarse de que estén apretados firmemente. Si cualquier tornillo estuviera suelto, volver a apretarlo inmediatamente. El no hacer esto provocaría un riesgo serio.
- **Mantenimiento del motor:** Prestar el mayor cuidado y asegurarse de que el bobinado del motor no se dañe y/o se humedezca con aceite o agua.
- Mantener siempre libres y limpias las aberturas de ventilación.
- Limpiar esmeradamente la máquina después de utilizarla. Soplar regularmente el motor con aire a presión.
- Comprobar que el cable de toma de corriente esté en buen estado y, en caso contrario, acudir a un centro de asistencia técnica para que lo sustituyan.
- **Sustitución de las escobillas:** Las escobillas deben sustituirse al cabo de unas 150-200 horas de trabajo o bien cuando su longitud sea inferior a 10 mm. Para ello, debe acudir a un centro de asistencia autorizado para

que efectúe el cambio. Recomendamos que en cada segundo cambio de escobillas, entregue la máquina a uno de nuestros Servicios de Asistencia Técnica para una revisión de limpieza y engrase general.

- Sólo se deben utilizar accesorios y piezas de repuesto **Felisatti**. Piezas cuyo recambio no esté descrito en estas instrucciones de uso, deben sustituirse en un centro de asistencia técnica **Felisatti** (Consulte el folleto Garantía/Direcciones de Centros de Asistencia Técnica).



¡No se deshaga de las herramientas eléctricas a través de los contenedores de basura doméstica!

De acuerdo con la directriz europea 2002/96/CE referente a los residuos de los equipamientos eléctricos y electrónicos y a la conversión en el derecho nacional, las herramientas eléctricas usadas deben ser separadas y deben estar sujetas a un reciclaje que respete el medio ambiente.

GARANTÍA

Ver condiciones generales de concesión de Garantía en el impreso anexo a estas instrucciones.

VALORES DE RUIDO Y VIBRACIÓN

La herramienta ha sido proyectada y construida para reducir al mínimo los ruidos, a pesar de esto **en especiales condiciones el nivel de ruido máximo en el sitio de trabajo podría ser superior a 85 dBA. En este caso el operador debe protegerse del ruido excesivo por medio de la utilización de protectores auditivos.**

Los niveles de ruido y vibración de la máquina, medidos según la norma EN 60745-1, se elevan normalmente a:

Nivel de presión acústica = 90 dB(A)

Nivel de potencia acústica = 103 dB(A)

¡Se han de usar protectores auditivos!

Aceleración de vibración = 2,9 m/s²



DECLARACIÓN DE CONFORMIDAD

Declaramos bajo nuestra sola responsabilidad que los productos marca **FELISATTI** descritos en este manual APF200/1010LE están en conformidad con las normas o documentos normalizados siguientes: EN60745-1:2008, EN60745-2-3, EN60745-2-4, EN55014-1:2006+A1, EN55014-2:1997+A1+A2, EN61000-3-2:2006+A1+A2 y EN61000-3-3:2008 de acuerdo con las directivas 2006/42/CEE, 2006/95/CEE, 2004/108/CEE y 2002/95/CEE.



Francisco Ruiz
Dir. Fábrica

CARACTÉRISTIQUES TECHNIQUES

| Ponceuse télescopique pour mur | | APF200/1010LE |
|--------------------------------|-----|---------------|
| Puissance absorbée | W | 1010 |
| Vitesse à vide | rpm | 800-1600 |
| Diamètre max. feuille abrasive | mm | 200 |
| Filetage de l'arbre | ISO | M14 |
| Peso aprox. (sin acces.) | Kg | 3,8 |

Respecter strictement les instructions contenues dans ce manuel qu'il convient de lire attentivement et de conserver à portée de main pour d'éventuels contrôles des parties indiquées.

Si la machine est utilisée avec soin et son entretien normalement assuré, son fonctionnement sera prolongé. Les fonctions et l'utilisation de la machine que vous avez acquise sont celles indiquées dans ce manuel. **Tout autre usage de la machine est formellement interdit.**

ILLUSTRATIONS

DESCRIPTION (Voir figures indiquées)

- A Interrupteur de commande (Fig.1)
- B Kit adaptateur (Fig.1)
- C Bouton de blocage de l'arbre (Fig.1)
- D Sortie de la poussière (Fig.1)
- E Vis de fixation du plateau en mousse (Fig.2)
- F Tube d'aspiration (Fig.3)

ÉQUIPEMENT DE LA MACHINE

- 1 kit de montage du disque de diamant (disque de diamant non inclus)
- Notice d'utilisation
- Consignes de sécurité
- Garantie

INSTRUCTIONS DE SÉCURITÉ

- Voir le livret « **Instructions de sécurité** » joint à cette notice d'utilisation.
- **AVERTISSEMENT !** Il ne faut pas poncer des matériaux contenant de l'amiante. La poussière produite en travaillant des matériaux d'amiante/asbeste et/ou des pierres de silice est nuisible à la santé. Protégez-vous de l'inhalation de ces poussières selon les normes de prévention des accidents.
- Pour votre sécurité personnelle, branchez toujours la machine sur une installation protégée par un disjoncteur, selon les normes établies pour les installations électriques à basse tension.
- Ne pas percer la carcasse de la machine, cela supprimerait l'isolation (utiliser des plaques adhésives).
- Contrôler la zone d'intervention avec un détecteur de métaux ; il est possible en effet que des conducteurs électriques, des tuyaux de gaz et/ou d'eau soient cachés.
- Débranchez toujours la prise avant d'effectuer un travail quelconque sur la machine.
- La machine doit toujours être arrêtée en relâchant l'interrupteur, non en enlevant la prise.
- **AVERTISSEMENT !** Chaque fois que vous utilisez la machine, vérifiez l'état de la prise et du câble. Faites-les remplacer par un spécialiste s'ils sont détériorés.
- Toujours tenir le câble hors du rayon d'action de la machine.
- Brancher la machine sur le secteur seulement avec l'interrupteur en position d'arrêt.
- Toujours tenir la machine fermement des deux mains et en maintenant une position stable.
- Vérifiez que la vitesse marquée sur le disque est égale ou supérieure à la vitesse nominale de la ponceuse.
- Vérifiez que les dimensions du disque sont compatibles avec la ponceuse.
- Les disques abrasifs doivent être manipulés et rangés avec précaution suivant les instructions du fabricant.
- Protégez l'outil de ponçage contre les coups, les chocs et la graisse.
- Avant d'utiliser un disque, l'examiner avec soin pour s'assurer qu'il n'est pas endommagé ni fendu. Remplacer immédiatement les disques fendus ou endommagés.
- S'assurer que les disques sont bien installés suivant les instructions du fabricant.
- Avant d'utiliser la machine, s'assurer que le disque abrasif a été placé et fixé correctement. Mettre la machine en marche à vide pendant 30 secondes dans une position sûre. Si vous décelez une forte vibration ou d'autres défauts, arrêter immédiatement la machine ; il est possible que la mise en place du disque soit incorrecte ou que celui-ci soit mal équilibré.
- Utiliser seulement les écrous et les flasques recommandées pour l'utilisation de cet outil. Ne pas utiliser de douilles de réduction indépendantes ou des adaptateurs pour disques abrasifs de plus grand alésage.
- Sur les machines conçues pour être utilisées avec des accessoires à alésage fileté, s'assurer que le filetage est suffisamment profond pour recevoir complètement l'arbre.
- Faire attention aux projections de copeaux. Tenir l'outil de manière que les étincelles ne soient pas projetées dans votre direction ou en direction d'autres personnes ni vers des matériaux inflammables.
- Pour les travaux sur pierre, utiliser un équipement d'aspiration des poussières et porter un masque anti-poussière.
- Pour un travail efficace, sélectionnez la dimension et le disque abrasif adapté à chaque matériau et à chaque finition de surface.
- Ne pas toucher les outils de ponçage pendant la rotation.
- **ATTENTION !** Le disque tourne pendant quelques instants après le débranchement de l'appareil.
- Lorsque vous travaillez dans une atmosphère poussiéreuse, assurez-vous que les ouïes de ventilation de la machine sont toujours dégagées. Si vous devez nettoyer la poussière, mettez tout d'abord la machine hors tension. Ne pas utiliser d'objets métalliques et éviter d'endommager les parties internes.
- **AVERTISSEMENT !** Des poussières générées par le ponçage, le sciage, le meulage et le perçage mécaniques et de toutes autres activités de construction

contiennent des agents chimiques susceptibles de provoquer des cancers, des défauts de naissance ou tout autre dommage à l'appareil reproducteur. Exemples de ces agents chimiques : plomb de peintures au plomb, silice cristalline des briques, ciment et autres produits de maçonnerie, arsenic et chrome du bois traité chimiquement. Le risque lié à ces expositions varie selon la fréquence du travail. Pour réduire l'exposition à ces agents chimiques : travaillez dans un environnement correctement ventilé et portez un équipement de sécurité comme des masques anti-poussière spécialement conçus pour empêcher toute respiration de particules microscopiques.

- **AVERTISSEMENT !** Les enfants ou les femmes enceintes devront veiller à ne pas s'exposer à proximité des travaux de ponçage de peinture cérusées. Le risque est pour eux décuplé.

DESCRIPTION

Cette ponceuse a été conçue pour poncer et polir tout type de surfaces de construction et industrielles.

AVANT DE SE SERVIR DE CET OUTIL

Avant de se servir de cet outil, s'assurer que la tension du secteur est correcte : La tension indiquée sur la plaque signalétique doit coïncider avec la tension du secteur. Les appareils à 230 V peuvent également être branchés sur du 220 V.

MONTAGE DES DISPOSITIFS DE SÉCURITÉ

AVERTISSEMENT ! Avant toute intervention sur la machine, débranchez toujours la prise.

Pour un meilleur contrôle de la machine et une plus grande sécurité lors de son utilisation, il est obligatoire de se servir de la poignée auxiliaire.

MONTAGE DES ACCESSOIRES (DISQUES ET MEULES)

AVERTISSEMENT ! Pour des raisons de sécurité, vous devez toujours débrancher la machine avant de procéder au changement de disque ou de meule. Mettez toujours des lunettes de sécurité.

AVERTISSEMENT ! Ne jamais utiliser le bouton de verrouillage **C** lorsque la machine est en marche. Avant d'appuyer sur le bouton de verrouillage, l'arbre doit être complètement arrêté.

Pour monter le plateau en mousse, procéder comme suit :

1. À l'aide de la clef hexagonale, retirez la vis **E** (Fig.2) et la rondelle.
2. Positionnez le plateau de velcro.
3. Repositionnez la rondelle et resserrer la vis à l'aide de la clef hexagonale.
4. Une fois l'opération de montage terminée, vérifier que le bouton de verrouillage a repris sa position initiale grâce au ressort de rappel.

MISE EN MARCHÉ DE L'OUTIL

AVERTISSEMENT ! Vérifier que la tension du secteur est conforme à celle de la plaque signalétique de la machine.

Brancher la machine sur le secteur avec l'interrupteur déconnecté.

La machine se met en marche en déplaçant l'interrupteur de commande **A** vers la position "on". Pour l'arrêter, agir en sens inverse.

Electronique constante et réglage de la vitesse

Le module incorporé permet :

- Démarrage en douceur.
- De garder une vitesse nominale pratiquement constante jusqu'à l'obtention de la puissance nominale.
- Une protection de surcharge moyennant limitation de courant lorsque le moteur est surchargé. Dans ce cas, le robot s'arrête et se remet en marche lorsque la pression de rabotage baisse.

PRÉCAUTION : Le variateur de vitesse peut aller seulement jusqu'à 6 et revenir à 1. Ne le forcez pas au-delà de 6 ou de 1 sinon il pourrait s'abîmer et cesser de fonctionner.

Protection contre toute surcharge

En cas de surcharge au niveau du moteur, ce dernier s'arrête. Supprimer immédiatement la pression de la machine au niveau de la zone de travail et la laisser fonctionner à vide, à sa vitesse maximale, pendant environ 30 secondes afin de refroidir le moteur.

INDICATIONS POUR LE TRAVAIL

N'utilisez pas la ponceuse sans le disque abrasif monté.

Pour poncer des murs à sec

Mettez la ponceuse en marche.

Amenez la ponceuse légèrement en contact contre la surface à travailler.

Exercez juste la pression nécessaire permettant de maintenir le disque abrasif à plat contre la surface à travailler.

Maintenez le mouvement de la ponceuse tant que le disque est en contact avec la surface à travailler. Décrivez un mouvement ample et continu.

Attention : évitez tout contact du disque rotatif avec des chants pointus, des vis, des clous etc., ces derniers pouvant l'endommager.

ATTENTION : limite de la pression de travail.

L'outil indique toujours à l'avance sa limite extrême de travail ; cette limite se détecte à travers des vibrations incontrôlées du câble de transmission provoquées par une trop forte pression de travail, un nombre trop élevé de tours/minute ou par le type de matériau abrasif qui ne convient pas à la surface travaillée.

Pour éviter la rupture du câble de transmission, dès que vous constatez des vibrations incontrôlées, retirez le plateau de la surface de travail suffisamment longtemps afin que la machine récupère son rythme normal (3 à 5 secondes), et reprenez le travail en modérant la pression ou en ajustant la vitesse de l'outil.

Ne jamais forcer l'outil. Une pression excessive peut causer des empêtements, des surchauffes du moteur, des brûlures des pièces de travail et des contrecoups.

Utilisez des disques abrasifs appropriés à la surface à poncer/polir et selon les résultats souhaités.

Maintenez toujours le disque abrasif parallèle à la surface de travail.

PRÉCAUTION : Pendant le ponçage/polissage, il est nécessaire de toujours maintenir le câble en arrière pour lui éviter d'être pris par l'appareil.

ASPIRATION DE LA POUSSIÈRE

AVERTISSEMENT ! Toujours s'assurer que la machine est hors tension et débranchée avant d'installer ou d'extraire le dispositif d'aspiration de la poussière.

L'aspiration de la poussière permet de réduire la saleté du poste de travail, évite la forte concentration de poussière dans l'air et facilite l'élimination des déchets.

Ces ponceuses sont équipées d'une sortie d'aspiration de la poussière sur laquelle peut être adapté un aspirateur universel ou tout autre dispositif d'aspiration de poussière.

PRÉCAUTION : Utilisez toujours un extracteur d'aspiration fabriqué conformément aux normes en vigueur en matière d'émission de poussière.

Les tubes flexibles d'aspiration des aspirateurs les plus courants s'ajustent directement sur la bouche d'extraction de poussière.

L'aspirateur doit être adapté au matériel à travailler.

En cas d'extraction de poussière sèche nocive pour la santé ou même cancérigène, vous devez utiliser un aspirateur spécial.

ACCESSOIRES

Les accessoires et leurs références sont répertoriées dans nos catalogues.

ENTRETIEN ET NETTOYAGE

AVERTISSEMENT ! Avant toute intervention sur la machine, débranchez toujours la prise.

- **Examen de l'outil :** L'utilisation d'un outil de ponçage ou de polissage usé diminuera l'efficacité du travail.
- **Examen des vis de montage :** Examiner régulièrement toutes les vis de montage et vérifier qu'elles sont bien serrées. Si une vis est desserrée, la resserrer immédiatement. Ne pas le faire pourrait être extrêmement préjudiciable.
- **Entretien du moteur :** Apporter le plus grand soin à l'entretien du moteur et s'assurer que son bobinage n'est pas endommagé et/ou humidifié avec de l'huile ou de l'eau.
- Maintenez toujours les ouïes de ventilation dégagées et propres.
- Nettoyer soigneusement la machine après utilisation. Nettoyer régulièrement le moteur à l'air comprimé.
- Vérifier que le câble et la prise de courant sont en bon état. Dans le cas contraire, les faire remplacer dans un centre d'assistance technique.
- **Remplacement des charbons :** Les balais doivent être changés toutes les 150-200 heures de service ou si leur longueur est inférieure à 10 mm. Le changement devra être effectué par un centre d'assistance agréé. Tous les deux changements de charbons, nous vous recommandons de confier la machine à l'un de nos Services d'Assistance Technique qui effectuera une révision sous forme de nettoyage et de graissage général.
- Utiliser uniquement des accessoires et des pièces de rechange **Felisatti**. Les pièces détachées hors accessoires doivent être remplacées dans un centre d'assistance technique **Felisatti** (Consultez l'imprimé Garantie/Adresses des Centres Agréés S.A.V).



Ne pas jeter les outils électriques dans les ordures ménagères !

Conformément à la directive européenne 2002/96/CE relative aux appareils électriques et électroniques usagés et sa version nationale, les outils électriques doivent être collectés séparément et recyclés de manière écologique.

GARANTIE

Consulter les conditions générales de Garantie sur l'imprimé joint à ces instructions.

MESURES DU NIVEAU DE BRUIT ET DE VIBRATION

L'outil a été conçu et construit avec objectif de réduire le niveau de bruit au maximum. Malgré cela, **dans certaines conditions, le niveau de bruit maximal sur le lieu de travail peut être supérieur à 85 dBA. Dans ce cas, l'opérateur doit se protéger du bruit excessif en utilisant un casque de protection antibruit.**

Les niveaux de bruit et de vibration de la machine, mesurés selon la norme EN 60745-1, s'élèvent normalement à :

Niveau de pression acoustique = 90 dB(A)

Niveau de puissance acoustique = 103 dB(A)

Utiliser des protecteurs auditifs !

Accélération de vibration = 2,9 m/s²



DÉCLARATION DE CONFORMITÉ

Nous déclarons sous notre seule responsabilité que les produits **FELISATTI** (APF200/1010LE) décrits dans ce manuel sont conformes aux normes ou documents suivants : EN60745-1:2008, EN60745-2-3, EN60745-2-4, EN55014-1:2006+A1, EN55014-2:1997+A1+A2, EN61000-3-2:2006+A1+A2 et EN61000-3-3:2008 en accord avec les directives 2006/42/CEE, 2006/95/CEE, 2004/108/CEE et 2002/95/CEE.



Francisco Ruiz
Dir. Usine



CARATTERISTICHE TECNICHE

| Smagliatrice a parete telescopica | | APF200/1010LE |
|-----------------------------------|-----|---------------|
| Potenza nominale | W | 1010 |
| Velocità a vuoto | rpm | 800-1600 |
| Diametro mass. foglio abrasivo | mm | 200 |
| Filettatura dell'alberino | ISO | M14 |
| Peso appross. (senza accessori) | Kg | 3,8 |

Rispettare scrupolosamente le istruzioni contenute in questo manuale, leggerlo attentamente e tenerlo a portata di mano per eventuali controlli delle parti indicate.

Se la macchina viene utilizzata con attenzione e si esegue la normale manutenzione, il suo funzionamento sarà prolungato nel tempo.

Le funzioni e gli usi dell'utensile che avete comprato sono unicamente quelli indicati in questo manuale. **È assolutamente proibito ogni altro uso dell'utensile.**

ILLUSTRAZIONI

DESCRIZIONE (Vedere figure indicate)

- A Interruttore di comando (Fig.1)
- B Kit adattatore (Fig.1)
- C Pulsante di bloccaggio del mandrino (Fig.1)
- D Uscita polvere (Fig.1)
- E Vite di fissaggio piatto schiuma (Fig.2)
- F Tubo aspirazione (Fig.3)

MATERIALE IN DOTAZIONE

- 1 kit di montaggio del disco di diamante (disco di diamante non compreso)
- Manuale di istruzioni
- Norme di sicurezza
- Documento di garanzia

NORME DI SICUREZZA

- Vedere il manuale allegato “**Istruzioni di Sicurezza**” fornito insieme al presente manuale di istruzioni.
- **ATTENZIONE!** Non si deve pulire il materiale che contiene amianto. Lavorando con materiali che contengono amianto/asbesto e/o pietra di silice, si produce una polvere dannosa per la salute. Proteggersi dall'inalazione di tale polvere rispettando le norme di antinfortunistica.
- La macchina va collegata, per la vostra sicurezza personale, solo a reti elettriche dotate di salvavita e di disgiuntore termico ai sensi delle norme vigenti per gli impianti elettrici a bassa tensione.
- Non forate la carcassa della macchina, altrimenti danneggerete l'isolamento di protezione (usare etichette adesive).
- Controllare la superficie di lavoro con un rivelatore di metalli, poiché possono esservi fili elettrici o tubi del gas e/o idraulici occulti.
- Staccare sempre la spina dalla presa prima di eseguire qualsiasi intervento sulla macchina.
- Spegnerla la macchina sempre per mezzo dell'interruttore, non staccando la spina.
- **ATTENZIONE!** Prima di ogni utilizzo, controllate le condizioni della spina e del cavo di alimentazione della vostra macchina utensile. Se sono deteriorati, fateli sostituire presso un centro di assistenza tecnica autorizzato.

- Tenere sempre il cavo di alimentazione lontano dal raggio d'azione della macchina.
- Collegare la macchina alla rete elettrica solo con l'interruttore in OFF.
- Sostenere saldamente la macchina con entrambe le mani e mantenendosi in posizione stabile.
- Verificare che la velocità segnalata nel disco sia uguale o superiore alla velocità nominale della pulitrice.
- Assicurarsi che le dimensioni del disco siano compatibili con la pulitrice.
- I dischi abrasivi devono essere adoperati e conservati con cura, rispettando le istruzioni della fabbrica.
- Proteggere l'utensile da pulire e/o allisciare contro colpi, scontri e grasso.
- Controllare attentamente il disco per accertarsi che non sia danneggiato né incrinato prima di utilizzarlo. Sostituire immediatamente i dischi incrinati o danneggiati.
- Controllare che i dischi vengano montati secondo le istruzioni della fabbrica.
- Accertarsi che il prodotto abrasivo sia stato montato e fissato bene prima di usare la macchina. Mettere in moto la macchina e farla girare a vuoto per 30 secondi in una posizione sicura; se si notano vibrazioni notevoli o altre anomalie, spegnerla immediatamente. Può essere segnale di un'installazione erranea o di un disco sbilanciato.
- Usare solo flange o piastrine specifiche per questo utensile. Non usare riduttori separati né adattatori per adattare i dischi abrasivi con fori grandi.
- In macchine progettate per funzionare con accessori con foro filettato, controllare che la filettatura del disco sia abbastanza lunga da accettare la misura dell'asse.
- Fare attenzione agli sfidri che possono saltare via. Tenere l'attrezzo in modo che le scintille vadano lontano da voi e da altre persone o da materiali infiammabili.
- Lavorando su pietra, usare un aspiratore per la polvere e indossare una maschera antipolvere.
- Per ottenere una resa efficace del lavoro, occorre selezionare, in base al materiale e alla finitura di superficie, le dimensioni e l'abrasivo adeguato.
- Non toccare gli utensili da pulire in rotazione.
- **ATTENZIONE!** Il disco si mantiene un tempo in marcia girando una volta disconnesso l'apparato.
- Quando si lavora con la macchina, è indispensabile utilizzare sempre occhiali di protezione e protezioni per l'udito. Se necessario possono essere impiegati anche altri mezzi di protezione personale, come una mascherina antipolvere, guanti da lavoro, casco e grembiule; è raccomandabile usare anche calzature di sicurezza antiscivolo. Quando si consideri la necessità di usare una maschera di protezione contro la polvere, è per le proprietà nocive sia della polvere del materiale pulito come della pittura o altro rivestimento della superficie. In caso di dubbio, si consiglia di usare la protezione.

- Accertarsi che le aperture di ventilazione siano sempre libere quando si lavora con produzione di polvere. Se è necessario pulire la polvere, spegnere prima la macchina, non utilizzare oggetti metallici ed evitare di danneggiare le parti interne.
- **AVVERTENZA:** La polvere generata dalla levigatura, pulizia, segatura, molatura e forature meccaniche, o da altre attività di costruzione, contengono agenti chimici che causano forme tumorali, malformazioni alla nascita o altri danni sulla riproduzione. Alcuni esempi di questi agenti chimici sono: il piombo delle vernici a base di piombo, silice cristallina dei laterizi e cemento ed altri prodotti per muratura, arsenico e cromo in legno trattato chimicamente. Il suo rischio a causa di queste esposizioni varia, dipendendo dalla frequenza con il quale si realizza questo tipo di lavoro. Per ridurre la sua esposizione a questi agenti chimici: lavori in un'area ben ventilata e con apparecchiature di sicurezza omologate, come per esempio maschere antipolvere che sono disegnate specialmente per impedire mediante filtraggio il passaggio di particelle microscopiche.
- **AVVERTENZA!** I bambini e le donne in stato di gravidanza non dovranno mai entrare nei locali in cui si sta carteggiando su vernice finché non saranno terminate tutte le operazioni di pulizia. Il pericolo di intossicazione da piombo è più grave per i bambini e le gestanti.

DESCRIZIONE ABBREVIATA

Questa pulitrice è stata disegnata per pulire e lucidare qualsiasi tipo di superfici della costruzione ed industria.

PRIMA DI USARE QUESTO UTENSILE

Prima di usare l'utensile, controllare che la tensione della rete sia quella giusta: La tensione riportata nella targhetta delle caratteristiche deve coincidere con la tensione di rete. Gli apparecchi a 230V possono essere collegati anche a una tensione di rete di 220V.

MONTAGGIO DEI DISPOSITIVI DI SICUREZZA

ATTENZIONE! Prima di compiere qualsiasi intervento sulla macchina, staccate sempre la spina dalla presa elettrica.

Per controllare meglio e con maggior sicurezza la macchina durante l'uso, è obbligatorio usare l'impugnatura supplementare.

MONTAGGIO DEGLI ACCESSORI (DISCHI E MOLE)

ATTENZIONE! Per motivi di sicurezza, bisogna sempre staccare la macchina dalla rete prima di provvedere al cambio del disco o della mola. Fare uso di occhiali di sicurezza.

AVVERTENZA! Non premere mai il pulsante di bloccaggio **C** quando la macchina è in funzione. Prima di schiacciare il pulsante di bloccaggio, attendere che la rotazione dell'alberino sia nulla.

Per montare il piatto di schiuma, procedere nel seguente modo:

1. Usando la chiave esagonale svitare la vite **E** (Fig.2) e togliere la rondella.
2. Collocare il platorello di velcro.
3. Ricollocare la rondella e avvitare la vite con l'aiuto della chiave esagonale.
4. Terminata l'operazione di montaggio, controllare che il pulsante di bloccaggio sia ritornato nella posizione iniziale per effetto della molla incorporata.

ATTIVAZIONE DELL'UTENSILE

ATTENZIONE! Verificare che la tensione di rete coincida con quella indicata nelle caratteristiche della macchina.

Collegare la macchina a rete con l'interruttore disinserito.

La macchina si accende spostando l'interruttore di comando **A** verso la posizione ("ON"). Per spegnerla, muoverlo in senso contrario.

Electronica costante e regolazione della velocità

Il modulo incorporato permette

- Messa in moto soave.
- Mantenere la velocità nominale costante fino alla potenza nominale.
- Una protezione di sovraccarico con limitazione di corrente in caso di un sovraccarico del motore, caso in cui, la molatrice si ferma e si rimette in marcia una volta ridotta la pressione di fresatura.

Il regolatore elettronico di velocità permette di regolare la velocità in diverse posizioni in un numero di regolazioni dal 1 al 6. Selezionare la velocità appropriata a seconda della rifinitura e del pezzo del che si desidera pulire.

PRECAUZIONE: Il regolatore della velocità può girarsi solamente fino al numero 6 e ritornare al numero 1. Non lo forzi al di là del 6 o dell'1, in quanto è possibile causare danni al funzionamento.

Protezione per sovraccarico

In caso di sovraccarico nel motore, questo si arresta. Rimuovere immediatamente la pressione della macchina sulla zona di lavoro e lasciarlo funzionare a vuoto al massimo dei giri per circa 30 secondi, al fine di far raffreddare il motore.

COME SMERIGLIARE

Non usare la levigatrice senza il disco abrasivo montato.

Per levigare pareti a secco

Mettere in moto la levigatrice.

Collocare la levigatrice leggermente contro la superficie di lavoro.

Esercitare solo la pressione sufficiente a mantenere il disco abrasivo piatto contro la superficie di lavoro.

Mantenere il movimento della levigatrice mentre il disco è in contatto con la superficie di lavoro. Eseguire un movimento costante ed ampio.

Attenzione: non permettere che il disco rotante tocchi spigoli appuntiti, viti, chiodi, ecc. in quanto si potrebbe danneggiare.

ATTENZIONE: limite della pressione di lavoro.

L'utensile indica sempre in anticipo il suo limite estremo di lavoro, questo si manifesta con le vibrazioni incontrollate del cavo di trasmissione dovuto alla pressione, i giri o il tipo di abrasivi non idonei alla superficie che si sta lavorando.

Per evitare la rottura del cavo di trasmissione, quando si rilevano vibrazioni incontrollate togliere il piatto dalla superficie di lavoro il tempo necessario affinché la macchina si recupera (3-5 secondi) iniziare nuovamente il lavoro moderando la pressione o regolando la velocità dell'utensile.

Non forzare mai l'apparecchio. La pressione eccessiva può causare ostruzioni, surriscaldamenti del motore, bruciature dei pezzi di lavoro e colpi.

Utilizzare dischi abrasivi appropriati secondo la superficie da pulire/allisciare a seconda dei risultati desiderati.

Mantenere sempre il disco abrasivo parallelo alla superficie di lavoro.

PRECAUZIONE: Durante la pulizia/allisciatura è necessario mantenere sempre il cavo verso la parte posteriore per evitare che si possa entrare in contatto con la macchina.

ASPIRAZIONE DELLA POLVERE

AVVERTENZA! Controllare sempre che l'utensile sia spento e disinserito dalla rete prima di montare o di smontare qualsiasi dispositivo di aspirazione della polvere.

L'aspirazione della polvere riduce la presenza di sporcizia nel locale di lavoro, evita le elevate concentrazioni di polvere nell'aria che si respira e agevola la rimozione dei residui.

Queste levigatrici sono provviste di un'uscita per l'aspirazione della polvere a cui si potrà adattare un aspiratore universale o qualsiasi altro dispositivo di aspirazione della polvere.

PRECAUZIONE: Utilizzare sempre un estrattore di aspirazione disegnato secondo le direttrici applicabili in materia di emissione della polvere.

I tubi flessibili di aspirazione degli aspiratori più comuni si possono collegare direttamente all'apertura di fuoriuscita della polvere.

L'aspiratore deve essere adatto al materiale su cui lavorare.

Nel caso di estrazione di polvere secca, nociva alla salute o addirittura cancerogena, occorre usare un aspiratore speciale.

ACCESSORI

Gli accessori e i relativi numeri di codice per le ordinazioni sono riportati nei nostri cataloghi.

CURA E MANUTENZIONE

AVVERTENZA! Prima di compiere qualsiasi intervento sulla macchina, staccate sempre la spina dalla presa elettrica.

- **Ispezione dell'attrezzo:** L'uso di un utensile da pulire o allisciare consumato diminuirà l'efficacia del lavoro.
- **Ispezionare le viti di assemblaggio:** Ispezionare regolarmente tutte le viti di assemblaggio e verificare che siano ben serrate. Se una vite dovesse allentarsi, serrarla immediatamente. In caso contrario si possono correre seri pericoli.
- **Manutenzione del motore:** Dedicarvi la massima cura e accertarsi che l'avvolgimento del motore non si guasti e/o non si bagni d'olio o d'acqua.
- Mantenere sempre le aperture di ventilazione libere e pulite.
- Pulire accuratamente la macchina dopo l'uso. Soffiare con aria compressa sul motore a intervalli regolari.
- Verificare che il cavo di alimentazione sia in buone condizioni; in caso contrario, farlo sostituire presso un centro di assistenza tecnica autorizzato.
- **Sostituzione delle spazzole:** Le spazzole devono essere sostituite dopo circa 150-200 ore circa di funzionamento, oppure quando la loro lunghezza è inferiore a 10 mm. Per sostituirle rivolgersi a un centro di assistenza tecnica autorizzato. Ogni due sostituzioni delle spazzole, raccomandiamo di portare la macchina a uno dei nostri servizi di

assistenza tecnica per una revisione comprendente la pulizia e la lubrificazione generale.

- Usare solo accessori e ricambi originali **Felisatti**. Per quanto riguarda i pezzi la cui sostituzione non è descritta in queste istruzioni per l'uso, farli sostituire presso un centro di assistenza tecnica autorizzato **Felisatti** (vedere il foglietto Garanzia / Indirizzi dei Centri di assistenza tecnica).



Non introdurre attrezzi elettrici nei rifiuti di casa!

Secondo la normativa europea 2002/96/CE in riferimento agli apparecchi elettrici ed elettronici e le leggi nazionali, gli apparecchi elettrici usurati devono essere raccolti separatamente e portati al riciclaggio, rispettando le norme ambientali.

GARANZIA

Vedere le condizioni generali di validità della garanzia riportate sul foglietto allegato a queste istruzioni.

VALORI RELATIVI AI RUMORI E ALLE VIBRAZIONI

L'utensile è stato progettato e costruito per ridurre al minimo i rumori; ciononostante, **in condizioni particolari il livello massimo di rumore nel locale di lavoro potrebbe essere superiore a 85 dB(A). In questo caso l'operatore deve proteggersi dal rumore eccessivo con l'impiego di protezioni per l'udito.**

I livelli di rumore e di vibrazione della macchina, misurati secondo la norma EN 60745-1, giungono normalmente a:

Livello di pressione acustica = 90 dB(A)

Livello di potenza acustica = 103 dB(A)

Usare protezioni per l'udito!

Accelerazione di vibrazione = 2,9 m/s²



DICHIARAZIONE DI CONFORMITÀ

Dichiariamo sotto la nostra esclusiva responsabilità che i prodotti marca **FELISATTI** APF200/1010LE descritti in questo manuale sono conformi ai requisiti delle norme o dei documenti standardizzati seguenti: EN60745-1:2008, EN60745-2-3, EN60745-2-4, EN55014-1:2006+A1, EN55014-2:1997+A1+A2, EN61000-3-2:2006+A1+A2 e EN61000-3-3:2008, ai sensi delle direttive 2006/42/CEE, 2006/95/CEE, 2004/108/CEE e 2002/95/CEE.



Francisco Ruiz
Dir. Fabbrica

TECHNISCHE DATEN

| Teleskop-Wandschleifer | | APF200/1010LE |
|-------------------------------|-------|----------------------|
| Nutzleistung | W | 1010 |
| Leerlaufgeschwindigkeit | U/Min | 800-1600 |
| Max. Durchmesser Schleifblatt | mm | 200 |
| Gewinde der Arbeitswelle | ISO | M14 |
| Gewicht ca. (ohne Zubehör) | kg | 3,8 |

Die in diesem Handbuch enthaltenen Anweisungen und Sicherheitsvorschriften sind genau zu befolgen. Lesen Sie diese aufmerksam und zum Zwecke von möglichen Überprüfungen der Bauteile sollten sie stets mitgeführt werden.

Durch bestimmungsgemäße Verwendung und Beachtung der entsprechenden Wartungshinweise, kann die Lebensdauer der Maschine wesentlich verlängert werden.

Dieses Werkzeug ist nur für den in dieser Anleitung beschriebenen Gebrauch vorgesehen. **Jeglicher andere Gebrauch der Maschine ist untersagt!**

ABBILDUNGEN

BESCHREIBUNG (Siehe erwähnte Abbildungen)

- A Betriebsschalter (Abb. 1)
- B Adapter-Kit (Abb. 1)
- C Sperrtaste der Spindel (Abb. 1)
- D Staubabführung (Abb. 1)
- E Befestigungsschraube Schaumteller (Abb. 2)
- F Ansaugrohr (Abb. 3)

MITGELIEFERTES MASCHINENZUBEHÖR

- 1 Montageset Diamantscheibe (Diamantscheibe nicht inbegriffen)
- Bedienungsanleitung
- Sicherheitshinweise
- Garantiekarte

SICHERHEITSHINWEISE

- Siehe die entsprechenden **"Sicherheitsanweisungen"**, die zusammen mit der vorliegenden Betriebsanleitung geliefert werden.
- **VORSICHT!** Es dürfen keine asbesthaltigen Materialien poliert oder geschliffen werden. Beim Arbeiten mit asbesthaltigen Werkstoffen oder Kieselsteinen wird gesundheitsschädlicher Staub erzeugt. Schützen Sie sich gemäß der Unfallverhütungsvorschriften vor dem Einatmen dieses Staubs.
- Schließen Sie das Werkzeug zu Ihrem Schutz und gemäß der Vorschriften für Niederspannungseinrichtungen immer an ein durch Fehlerstromschutzschalter und Überlastschalter geschütztes Netz an.
- Gehäuse der Maschine nicht anbohren, da die Schutzisolierung unterbrochen wird (Aufkleber verwenden).
- Den Arbeitsbereich mit einem Metalldetektor überprüfen, da sich dort versteckte elektrische Leitungen, Gasleitungen und/oder Wasserleitungen befinden könnten.

- Vor allen Arbeiten an der Maschine Stecker aus der Steckdose ziehen.
- Die Maschine muß immer mit dem Schalter ausgeschaltet werden. Dazu nicht den Netzstecker verwenden.
- **VORSICHT!** Prüfen Sie vor jedem Einsatz der Maschine den korrekten Zustand des Steckers und des Kabels. Sollte deren Zustand nicht korrekt sein, lassen Sie sie durch einen Fachmann ersetzen.
- Halten Sie das Kabel immer fern vom Arbeitsbereich der Maschine.
- Die Maschine nur ausgeschaltet an den Netzstrom anschließen.
- Die Maschine immer fest mit beiden Händen und bei sicherem Stand halten.
- Überprüfen Sie, dass die auf der Schleifscheibe angegebene Geschwindigkeit der Nenngeschwindigkeit der Poliermaschine entspricht oder diese überschreitet.
- Vergewissern Sie sich, dass die Maße der Schleifscheibe mit der Maschine kompatibel sind.
- Die Schleifscheiben müssen entsprechend der Anweisungen des Herstellers behandelt und aufbewahrt werden.
- Die Schleif- und Poliermaschine vor Schlägen, Stößen und Fett schützen.
- Vor der Benutzung die Schleifscheibe sorgfältig auf Beschädigungen und Risse untersuchen. Schleifscheiben mit Rissen oder Beschädigungen sind sofort auszutauschen.
- Achten Sie darauf, daß die Schleifscheiben gemäß der Anweisungen des Herstellers montiert werden.
- Achten Sie vor Benutzung der Maschine darauf, daß das Schleifmittel korrekt montiert und befestigt worden ist. Die Maschine zunächst 30 Sekunden im Leerlauf laufen lassen. Werden dabei übermäßige Vibrationen oder andere Störungen festgestellt, die Maschine sofort abschalten. Dies könnte auf eine falsche Montage oder eine unrunde Schleifscheibe hinweisen.
- Nur die für dieses Werkzeug spezifizierte Anschlüsse und Scheiben verwenden. Verwenden Sie keine zusätzlichen Reduzierwellen oder Adapter zur Anpassung von Schleifscheiben mit großen Bohrungen.
- Bei Maschinen, die für den Einsatz von Zubehörteilen mit Gewindebohrung gedacht sind, muß das Gewinde in der Scheibe zur Aufnahme der Wellenlänge ausreichend groß sein.
- Vorsicht mit abspringenden Spänen. Das Werkzeug so halten, daß die Späne in eine Richtung abgehen, wo sich weder Sie noch andere Personen aufhalten, und sich auch keine entzündlichen Werkstoffe befinden.

- Benutzen Sie bei der Bearbeitung von Steinen eine Staubabsauganlage und tragen Sie eine Staubschutzmaske.
- Um ein effektives Arbeiten zu gewährleisten, sind je nach Material und Oberflächenabschluss die entsprechende Größe und das geeignete Schleifmaterial zu verwenden.
- Berühren sie nicht sich drehende Schleifwerkzeuge.
- **VORSICHT!** Die Schleifscheibe dreht nach dem Abschalten des Gerätes noch gewisse Zeit nach.
- Tragen Sie beim Arbeiten mit der Maschine immer ein Schutzbrille und einen Gehörschutz. Andere Personenschutzvorrichtungen wie Staubschutzmaske, Handschuhe, Helm und Schürze sind je nach Bedarf zu benutzen. Ebenso wird das Tragen von rutschsicheren Sicherheitsschuhen empfohlen. Die Notwendigkeit zum Tragen einer Staubschutzmaske ergibt sich aus den giftigen Eigenschaften des Staubs des abgeschliffenen Materials selbst und der Farbe oder anderen Oberflächenbeschichtung des Materials. Im Zweifelsfall sollte immer die Schutzausrüstung getragen werden.
- Vergewissern Sie sich, daß die Belüftungsöffnungen beim Arbeiten mit Stauberzeugung immer geöffnet sind. Muß der Staub entfernt werden, zuerst die Maschine abschalten. Keine metallischen Gegenstände verwenden, und darauf achten, daß die Elemente im Innern nicht beschädigt werden.

- **WARNHINWEIS:** Gewisser Staub der bei mechanischen Vorgängen wie Schleifen, Polieren, Sägen, Mahlen und Bohren sowie durch andere Bautätigkeiten entsteht, enthält chemische Stoffe die Krebs, Geburtsfehler und andere Fortpflanzungsschäden verursachen. Einige Beispiele dieser chemischen Stoffe sind: Bleifarben auf Bleibasis, Kieselerdekristalle aus Steinen, Zement und anderen Mauerwerkstoffen, Arsen und Chrom aus chemisch behandelten Holz. Das gesundheitliche Risiko aufgrund dieser Gefährdungen hängt von der Häufigkeit dieser Art von Arbeit ab. Um den Kontakt mit diesen chemischen Stoffen zu verringern: Arbeiten Sie in gut gelüfteten Räumen und mit geprüften Arbeitsschutzmitteln, wie zum Beispiel spezielle Staubschutzmasken, die durch ihre Filter das Einatmen von mikroskopischen Partikeln verhindern.
- **WARNHINWEIS!** Kinder und schwangere Frauen dürfen den Bereich, wo Farbe abgeschliffen wird, erst dann wieder betreten, nachdem dieser vollständig gereinigt wurde. Die Vergiftungsgefahr durch Blei ist bei Kindern und schwangeren Frauen größer.

KURZBESCHREIBUNG

Diese Poliermaschine ist entwickelt worden, um jede Art von Oberflächen in Industrie und Bauwesen zu polieren und ihnen Hochglanz zu verleihen.

VOR DER BENUTZUNG DIESES WERKZEUGES

Vergewissern Sie sich vor der Benutzung des Werkzeugs, daß die Netzspannung korrekt ist: Die Spannungsangabe auf dem Typenschild muß mit der Netzspannung übereinstimmen. Die Geräte mit 230 V können auch an eine Netzspannung von 220 V angeschlossen werden.

MONTAGE DER SICHERHEITSVORRICHTUNGEN

VORSICHT! Ziehen Sie vor der Durchführung von Arbeiten an der Maschine immer zuerst den Netzstecker aus der Steckdose.

Zur besseren Kontrolle und Sicherheit beim Umgang mit der Maschine ist die Verwendung des Zusatzgriffs obligatorisch.

MONTAGE DER AUFSATZTEILE (TRENN UND SCHLEIFSCHLEIBEN)

VORSICHT! Aus Sicherheitsgründen muß vor dem Wechsel der Schleifoder Trennscheiben immer der Netzstecker des Geräts abgezogen werden. Tragen Sie eine Schutzbrille.

WARNHINWEIS! Die Sperrtaste **C** niemals bei laufender Maschine betätigen. Vor Betätigen der Sperrtaste muß die Maschinenwelle völlig stillstehen.

Beim Einbau des Schaumtellers ist wie folgt vorzugehen:

1. Die Schraube **E** (Abb. 2) mit dem Sechskantschlüssel abschrauben und die Unterlegscheibe entfernen.
2. Den Schleifteller mit Klettverschluss aufsetzen.
3. Die Unterlegscheibe wieder auflegen und die Schraube mit Hilfe des Sechskantschlüssels einschrauben.
4. Nach der Montage überprüfen, daß die Sperrtaste durch die eingebaute Feder wieder in die Ausgangsstellung zurückgekehrt ist.

INBETRIEBNAHME DES WERKZEUGS

WARNHINWEIS! Überprüfen Sie, daß die Versorgungsspannung mit den Maschineneigenschaften übereinstimmt.

Den Netzstecker der Maschine bei abgeschalteter Maschine einstecken.

Die Maschine wird eingeschaltet, indem man den Betriebsschalter **A** auf die Position ("ON") stellt. Zum Abschalten in die entgegengesetzte Richtung betätigen.

Konstantelektronik und Geschwindigkeitsregulierung

Das eingebaute Modul erlaubt:

- Ein ruckfreies Anlaufen
- Das Halten einer praktisch Konstanten Nenngeschwindigkeit bis zur Nennleistung.
- Ein Überlastschutz durch Strombegrenzung, der im Falle von Überlastung den Motor abschaltet und ihn bei nachlassendem Arbeitsdruck wieder anspringen lässt.

Mit dem elektronischen Geschwindigkeitsregler kann die Laufgeschwindigkeit über die Schalterstellungen 1 bis 6 eingestellt werden. Die geeignete Geschwindigkeit wird in Funktion der Oberfläche und Art des zu schleifenden Werkstückes gewählt.

ACHTUNG: Der Geschwindigkeitsregler kann nur bis zur Schalterstellung 6 und zurück zur Position 1 gedreht werden. Den Schalter nicht über die Position 6 oder 1 drehen, da dies zu einem Defekt oder Ausfall der Maschine führen könnte.

Schutz gegen Überlast

Im Falle von Überlast schaltet der Motor ab. Nehmen Sie sofort den Maschinendruck vom Arbeitsbereich und lassen Sie das Gerät etwa 30 Sekunden bei maximaler Drehzahl im Leerlaufbetrieb drehen, damit sich der Motor abkühlt.

HINWEISE FÜR DIE ARBEIT

Die Schleifmaschine nicht ohne montierte Schleifscheibe in Betrieb nehmen.

Trockenschleifen von Wänden

Die Schleifmaschine einschalten.

Setzen Sie die Schleifmaschine vorsichtig auf die zu bearbeitende Oberfläche.

Wenden Sie nur den Druck an, der für die ebene Auflage der Schleifscheibe auf der zu bearbeitenden Oberfläche erforderlich ist.

Halten Sie die Bewegung der Schleifmaschine bei, solange die Schleifscheibe Kontakt mit der Arbeitsfläche hat. Führen Sie durchgehende und weite Bewegungen durch.

Warnhinweis: Vermeiden Sie den Kontakt der Schleifscheibe mit scharfen Vorsprüngen, Schrauben, Nägeln usw., da sie dadurch beschädigt werden kann.

WARNHINWEIS: Begrenzung Arbeitsdruck.

Das Werkzeug weist stets im Voraus darauf hin, wenn seine Belastungsgrenze beim Arbeiten erreicht wird. Dies zeigt sich anhand von unkontrollierten Schwingungen des Übertragungskabels, bedingt durch Druck, Drehzahl oder ein für die bearbeitete Fläche ungeeignetes Schleifmaterial.

Um einen Bruch des Übertragungskabels beim Auftreten von unkontrollierten Schwingungen zu vermeiden, ist der Schleifteller so lange von der Arbeitsfläche zu nehmen, bis das Gerät wieder ruhig läuft (3-5 Sekunden). Anschließend kann die Arbeit wieder aufgenommen werden, wobei der Druck verringert oder die Geschwindigkeit des Werkzeugs reguliert werden sollte. Wenden sie niemals Gewalt bei dem Werkzeug an. Zur großer Druck kann Stocken, Überhitzung des Motors, Verbrennungen am Werkstück und Rückschläge zur Folge haben.

Benutzen Sie je nach der zu polierenden/schleifenden Oberfläche und den gewünschten Ergebnissen die entsprechenden Schleifscheiben.

Den Schleifteller stets parallel zur Arbeitsfläche halten.

ACHTUNG: Während des Schleifens/Polierens ist es notwendig das Kabel immer fern vom Arbeitsbereich zu halten, damit es nicht von der Maschine erfasst werden kann.

ABSAUGEN DES SCHLEIFSTAUBES

WARNHINWEIS! Vergewissern Sie sich vor dem Anbringen und Abnehmen einer Absaugvorrichtung für den Staub immer, dass das Werkzeug abgeschaltet und der Netzstecker abgezogen ist.

Diese Schleifmaschinen verfügen über eine Staubabführung, an die eine Allzweckabsaugung oder ein sonstiges Gerät zur Staubabsaugung angeschlossen werden kann.

ACHTUNG: Verwenden Sie stets ein Absauggerät, das die entsprechenden Richtlinien in Bezug auf Staub- und Spanabsaugung erfüllt.

An die Staubaus-laßöffnung können die Schläuche der meisten Staub-sauger angeschlossen werden.

Das Absauggerät muss für den zu bearbeitenden Werkstoff geeignet sein.

Beim Absaugen von gesundheitsschädlichen oder sogar krebserrregenden, trockenen Stäuben ist ein Spezialsauger zu verwenden.

ZUBEHÖR

Das Zubehör und die entsprechenden Bestellnummern finden Sie in unseren Katalogen.

WARTUNG UND PFLEGE

VORSICHT! Ziehen Sie vor der Durchführung von Arbeiten an der Maschine immer zuerst den Netzstecker aus der Steckdose.

- **Prüfung des Werkzeugs:** Die Anwendung eines abgenutzten Schleif- oder Polierwerkzeuges verringert die Wirksamkeit der Arbeit.
- **Überprüfung der Montageschrauben:** Regelmäßig alle Montageschrauben auf ihren festen Sitz überprüfen. Wird eine lose Schraube festgestellt, muß diese sofort wieder angezogen werden. Dies könnte sonst eine ernsthafte Gefahr darstellen.
- **Pflege des Motors:** Besonders beachten und sicherstellen, daß die Spule des Motors nicht beschädigt und/oder mit Öl oder Wasser in Kontakt kommt.
- Die Belüftungsschlitze immer frei und sauber halten.
- Reinigen Sie die Maschine nach der Arbeit mit trockener Druckluft. Den Motor regelmäßig mit Druckluft abblasen.
- Überprüfen Sie den korrekten Zustand des Netzkabels. Sollte dieses beschädigt oder abgenutzt sein, wenden Sie sich zur Durchführung des Austauschs an eine der Kundendienstwerkstätten.
- **Ersatz der Kohlebürsten:** Die Bürsten sollten nach 150-200 Arbeitsstunden oder bei einer Länge von unter 10 mm ersetzt werden. Wenden Sie sich zur Durchführung des Austauschs an einer der Kundendienstwerkstätten. Wir empfehlen, daß die Maschine bei jedem zweiten Austausch der Kohlebürstchen von unserem Kundendienst einer allgemeinen Reinigung und Schmierung unterzogen wird.
- Verwenden Sie nur Originalzubehör und Originalersatzteile von **Felisatti**. Alle Teile, die in der Bedienungsanleitung nicht beschrieben sind, müssen in einer Kundendienstwerkstätte von **Felisatti** ersetzt werden (Siehe Blatt Garantie / Anschriften der Kundendienstwerkstätten).



Werfen Sie Elektrowerkzeuge nicht in den Hausmüll!

Gemäß Europäischer Richtlinie 2002/96/EG über Elektro- und Elektronik-Altgeräte und Umsetzung in nationales Recht müssen verbrauchte Elektrowerkzeuge getrennt gesammelt und einer umweltgerechten Wiederverwertung zugeführt werden.

GARANTIE

Siehe allgemeine Garantiebedingungen, die dieser Betriebsanleitung als Anlage beigefügt werden.

GERÄUSCHUND VIBRATIONSWERTE

Das Werkzeug wurde für eine minimale Geräuschentwicklung konstruiert und gebaut. **Unter besonderen Bedingungen jedoch kann das maximale Geräuschniveau im Arbeitsbereich 85 dBA überschreiten. In diesem Fall muß sich der Benutzer durch einen Gehörschutz schützen.**

Die Schallund Vibrationswerte des Geräts gemäß der Norm EN 50144 liegen normalerweise bei:

Schalldruck = 90 dB(A)

Lautstärke = 103 dB(A)

Es muß ein Gehörschutz getragen werden!

Vibrationsbeschleunigung = $2,9 \text{ m/s}^2$



KONFORMITÄTSERKLÄRUNG

Wir erklären unter unserer eigenen Verantwortung, daß die in diesem Handbuch beschriebenen Produkte der Marke **FELISATTI** APF200/1010LE konform zu folgenden Normen sind: EN60745-1:2008, EN60745-2-3, EN60745-2-4, EN55014-1:2006+A1, EN55014-2:1997+A1+A2, EN61000-3-2:2006+A1+A2 und EN61000-3-3:2008 gemäß den Richtlinien 2006/42/EG, 2006/95/EG, 2004/108/EG und 2002/95/EG.

CE₁₁

Francisco Ruiz
Dir. Werk

CARACTERÍSTICAS TÉCNICAS

| Lixadora telescópica de parede | | APF200/1010LE |
|--------------------------------|-----|---------------|
| Potência absorvida | W | 1010 |
| Velocidade em vazio | rpm | 800-1600 |
| Diâmetro máx. folha abrasiva | mm | 200 |
| Rosca do eixo de trabalho | ISO | M14 |
| Peso aprox. (sem acessórios) | Kg | 3,8 |

Respeite escrupulosamente as instruções contidas neste manual, conserve-o e tenha-o sempre à mão para possível verificação dos componentes se tal for necessário.

Utilizando a máquina com cuidado e cumprindo a manutenção normal, o seu funcionamento será prolongado. As funções e a utilização da ferramenta que você comprou são só e exclusivamente as indicadas neste manual. **É totalmente proibida qualquer outra utilização da ferramenta.**

FIGURAS

DESCRIÇÃO (Ver figuras indicadas)

- A Interruptor (Fig.1)
- B Kit adaptador (Fig.1)
- C Botão de bloqueio do veio (Fig.1)
- D Saída do pó (Fig.1)
- E Parafuso agarramento prato espuma (Fig.2)
- F Tubo aspiração (Fig.3)

EQUIPAMENTO DA MÁQUINA

- 1 kit montagem disco de diamante (disco de diamante não incluído)
- Manual de instruções de funcionamento
- Instruções de segurança
- Documento de garantia

INSTRUÇÕES DE SEGURANÇA

- Ver o manual anexo “**Instruções de Segurança**” que é fornecido conjuntamente com este manual de instruções.
- **ATENÇÃO!** Não se deve polir material que contenha amianto. Ao trabalhar com materiais de amianto/asbesto e/ou pedras de silício, a poeira que se produz é prejudicial para a sua saúde. Proteja-se da inalação dessa poeira conforme normas de prevenção de acidentes.
- Ligue sempre a máquina a uma rede protegida por interruptor diferencial e magnetotérmico, para a sua segurança pessoal, segundo normas estabelecidas para instalações eléctricas de baixa tensão.
- Não perfurar a carcassa da máquina, já que se rompe o isolamento de protecção (utilize rótulos autocolantes).
- Controle a área de trabalho com um detector de metais já que pode haver condutores eléctricos, condutas de gás e/ou água ocultas.
- Desligue sempre a tomada antes de realizar qualquer trabalho na máquina.
- Para desligar a máquina deve utilizar sempre o interruptor, e nunca desligando a ficha da tomada.
- **ATENÇÃO!** Cada vez que precisar de utilizar a máquina verifique o estado da ficha e do cabo. Caso estejam estragados, substitua-os num centro técnico oficial.
- Mantenha sempre o cabo afastado do raio de acção da máquina.
- Ligue a máquina à rede somente em posição desligada.
- Suster sempre a máquina com firmeza com ambas as mãos e mantendo uma posição estável.
- Comprovar que a velocidade marcada no disco seja igual ou superior à velocidade nominal da polidora.
- Certificar-se de que as dimensões do disco sejam compatíveis com a polidora.
- Os discos abrasivos devem ser manuseados e guardados com cuidado de acordo com as instruções do fabricante.
- Proteger o útil de polir e/ou lixar contra golpes, choques e gordura.
- Verificar cuidadosamente o disco para se certificar que não se encontra danificado nem tem fendas antes de utilizá-lo. Substituir imediatamente os discos com fendas ou danificados.
- Verificar que os discos sejam montados de acordo com as instruções do fabricante.
- Verificar que o disco abrasivo tenha sido bem colocado e fixado antes de utilizar a máquina. Pôr em funcionamento a máquina em vazio durante 30 segundos numa posição segura; caso detecte uma vibração importante ou outros defeitos, pare imediatamente a máquina. Isto poderia indicar uma instalação incorrecta ou um disco mal equilibrado.
- Utilizar apenas flanges de fixação ou anilhas especificadas para esta ferramenta. Não utilizar buchas redutoras separadas ou adaptadores para adaptar os discos abrasivos com buracos grandes.
- Em máquinas desenhadas para utilizar acessórios com buraco de rosca, verificar se a rosca do disco é o suficientemente longa para cobrir o comprimento do eixo.
- Ter cuidado com as aparas que saltam. Suster a ferramenta de modo que as faíscas saiam para onde não esteja você nem outras pessoas nem materiais inflamáveis.
- Quando trabalhar em pedra, utilize equipamento para a aspiração da poeira e utilize uma máscara antipoeira.
- Para que o trabalho seja eficaz deve seleccionar-se, consoante o material e o acabamento da superfície, o tamanho e a abrasão adequada.
- Não tocar os utensílios de polir em rotação.
- **ATENÇÃO!** O disco mantém-se em rotação durante algum tempo depois de desligado o aparelho.
- Para trabalhar com a máquina, utilize sempre óculos de segurança e protectores auditivos. Outros equipamentos de protecção pessoal como máscara protectora de poeira, luvas, capacete e avental podem ser utilizados se for preciso; igualmente, é recomendável utilizar calçado de segurança antiderrapante. Quando se considere necessário utilizar uma máscara protectora contra o pó é devido

às propriedades nocivas tanto do pó do material polido como da pintura ou outro revestimento da superfície. Em caso de dúvida, é aconselhável utilizar o equipamento protector.

- Verifique que as aberturas de ventilação estejam sempre livres quando se trabalhar com poeira. Se for preciso limpar a poeira, em primeiro lugar deverá desligar a máquina, não utilizar objectos metálicos e evitar danificar as partes internas.
- **ADVERTÊNCIA:** Certo pó gerado por lixar, polir, serrar, afiar e perfurar mecanicamente, e por outras actividades de construção, contém agentes químicos que se sabe que causam cancro, defeitos de nascença ou outros danos na reprodução. Alguns exemplos destes agentes químicos são: chumbo de pinturas à base de chumbo, sílica cristalina de tijolos e cimentos e outros produtos de alvenaria, e arsénico e cromo de madeira tratada quimicamente. O seu risco, por causa destas exposições, varia, dependendo da frequência com que realize este tipo de trabalho. Para reduzir a sua exposição a estes agentes químicos: trabalhe numa área bem ventilada e trabalhe com equipamento de segurança aprovado, como por exemplo máscaras antipó que estejam desenhadas especialmente para impedir, através da filtração, a passagem de partículas microscópicas.
- **ADVERTÊNCIA!** Nem crianças nem mulheres grávidas deverão entrar na zona de trabalho na qual se esteja a lixar tinta até que se tenha levado a cabo toda a limpeza. O risco de intoxicação por causa do chumbo aumenta nas crianças e mulheres grávidas.

DESCRIÇÃO ABREVIADA

Esta polidora foi desenhada para polir e abrilhantar todo o tipo de superfícies de construção e indústria.

ANTES DE UTILIZAR ESTA FERRAMENTA

Antes de utilizar a ferramenta, verifique se a tensão da rede eléctrica é a correcta: A indicação de tensão na placa de características deve coincidir com a tensão de rede. Os aparelhos que funcionam a 230V podem ser ligados também a uma tensão de rede de 220V.

MONTAGEM DOS DISPOSITIVOS DE SEGURANÇA

ATENÇÃO! Desligue sempre a ficha da tomada antes de efectuar qualquer trabalho na máquina.

Com o objectivo de ter um melhor controlo e segurança no manuseio da máquina, é obrigatório a utilização do punho auxiliar.

MONTAGEM DOS ACESSÓRIOS (DISCOS E DISCOS MÓS)

ATENÇÃO! Por razões de segurança, a máquina deverá sempre ser desligada da rede antes de proceder à substituição do disco ou mó. Use óculos de segurança.

ADVERTÊNCIA! Não pressionar nunca o botão de bloqueio **C** com a máquina em funcionamento. Antes de carregar sobre o botão de bloqueio, o eixo deve estar completamente parado.

Para montar o prato de espuma, proceder da seguinte forma:

1. Com a chave hexagonal desaparafusar o parafuso **E** (Fig.2) e retirar a anilha.
2. Colocar o prato de velcro.
3. Voltar a colocar a anilha e aparafusar o parafuso com a ajuda da chave hexagonal.

4. Quando finalizada a operação de montagem, verificar que o botão de bloqueio tenha recuperado a sua posição inicial por efeito da mola que tem incorporada.

POSTA EM FUNCIONAMENTO DA FERRAMENTA

ATENÇÃO! Verificar que a tensão da rede coincide com a das características da máquina.

Ligar a máquina à rede com o interruptor desligado.

A máquina põe-se em funcionamento colocando o interruptor de comando **A** na posição ("on"). Para desligar, actuar no sentido contrário.

Electrónica constante e regulação da velocidade

O módulo incorporado permite:

- Arranque suave.
- Manter a velocidade nominal praticamente constante até à potência nominal.
- Uma protecção de sobrecarga por limitação de corrente em caso de sobrecarga de motor, em cujo caso pára e volta a pôr-se em funcionamento ao reduzir a pressão de trabalho.

O regulador electrónico de velocidade permite ajustar a velocidade em diferentes posições num número de ajuste dado de 1 a 6. Seleccionar a velocidade apropriada segundo o acabamento e a peça de trabalho que deseje polir.

PRECAUÇÃO: O regulador de velocidade só pode girar até ao número 6 e voltar ao número 1. Não o force para além do 6 ou do 1, senão pode estragar-se e deixar de funcionar.

Protecção de uma sobrecarga

Em caso de uma sobrecarga no motor, este pára. Retirar imediatamente a pressão da máquina sobre a zona de trabalho e deixá-la a funcionar em vazio no máximo das revoluções durante cerca de 30 segundos para arrefecer o motor.

INDICAÇÕES PARA O TRABALHO

Não utilize a lixadora sem o disco abrasivo montado.

Para lixar paredes em seco

Ponha a lixadora em funcionamento.

Coloque a lixadora ligeiramente contra a superfície de trabalho.

Aplique apenas a pressão suficiente para manter o disco abrasivo plano contra a superfície de trabalho.

Mantenha o movimento da lixadora enquanto o disco está em contacto com a superfície de trabalho. Utilize um movimento constante e amplo.

Atenção: não deixe que o disco giratório toque saliências agudas, parafusos, pregos, etc. já que se pode danificar.

ATENÇÃO: limite da pressão de trabalho.

A ferramenta indica, sempre com antecedência, o seu limite extremo de trabalho, isto manifesta-se com vibrações incontroladas do cabo de transmissão devido à pressão, às revoluções ou ao tipo de abrasivo não conveniente para a superfície sobre a qual se está a trabalhar.

Para evitar a ruptura do cabo de transmissão, quando se detectem vibrações incontroladas, deve retirar-se o prato da superfície de trabalho durante o tempo necessário para que a máquina se recupere (3-5

segundos), começar de novo o trabalho, moderando a pressão ou regulando a velocidade da ferramenta.

Não force nunca a ferramenta. A pressão excessiva pode causar obstruções, sobre-aquecimentos do motor, queimaduras da peça de trabalho e contra-golpes.

Utilize discos abrasivos apropriados segundo a superfície a polir/lixar e segundo os resultados desejados.

Manter sempre o disco abrasivo paralelo à superfície de trabalho.

PRECAUÇÃO: Durante o polido/lixado é necessário manter sempre o cabo para trás para evitar que a máquina o possa apanhar.

ASPIRAÇÃO DA POEIRA

ADVERTÊNCIA! Assegure-se sempre de que a ferramenta está desligada e com a ficha retirada da tomada, antes de instalar ou extrair qualquer dispositivo de aspiração de poeira.

A aspiração da poeira reduz a sujidade no local de trabalho, evita um elevado conteúdo de poeira no ar a respirar e facilita a eliminação de resíduos.

Estas lixadoras têm uma saída de aspiração de pó na qual se poderá adaptar um aspirador universal ou qualquer outro dispositivo de aspiração de pó.

PRECAUÇÃO: Utilize sempre um extractor de aspiração desenhado de acordo com as directrizes aplicáveis em relação à emissão de pó.

Os tubos flexíveis de aspiração dos aspiradores mais comuns são directamente ajustados à abertura de extracção de poeira.

O aspirador deve ser o adequado ao material a trabalhar.

Em caso de extrair pó seco nocivo para a saúde ou, inclusivamente, cancerígeno, deve utilizar-se um aspirador especial.

ACESSÓRIOS

Os acessórios e os seus correspondentes números para encomenda estão presentes nos nossos catálogos.

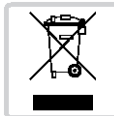
MANUTENÇÃO E CUIDADOS

ATENÇÃO! Desligue sempre a ficha da tomada antes de efectuar qualquer trabalho na máquina.

- **Verificação da ferramenta:** A utilização de um utensílio de polir ou lixar gasto diminuirá a eficiência do trabalho.
- **Inspeccionar os parafusos de montagem:** Inspeccionar regularmente todos os parafusos de montagem e verificar que se encontram apertados firmemente. Se qualquer parafuso se encontrar solto, voltar a apertá-lo imediatamente. Não fazer tal, poderá resultar num risco sério para si.
- **Manutenção do motor:** Prestar o maior cuidado e verificar que o bobinado do motor não seja danificado e/ou fique húmido com óleo ou água.
- Manter sempre livres e limpas as aberturas de ventilação.
- Limpar de forma esmerada a máquina depois de a utilizar. Sopr ar regularmente o motor com ar comprimido.
- Verificar que o cabo de energia se encontra em bom estado e, caso contrário, ir a um serviço de assistência técnica para o substituir.
- **Substituição das escovas:** As escovas devem ser substituídas após 150 / 200 horas de trabalho, ou quando o seu comprimento seja inferior a 10 mm. Para tal, deve ir a um centro de assistência autorizado para

efectuar a mudança. Recomendamos que em cada segunda mudança de escovas, entregue a máquina a um dos nossos Serviços de Assistência Técnica para uma revisão de limpeza e lubrificação geral.

- Somente devem utilizar-se acessórios e peças sobressalentes **Felisatti**. As peças cujas peças sobressalentes não estão descritas nestas instruções de utilização, devem ser substituídas num serviço de assistência técnica **Felisatti** (consulte a brochura Garantia / Endereços de Serviços de Assistência Técnica).



Não coloque as ferramentas eléctricas no lixo doméstico!

De acordo com a Directiva Europeia 2002/96/CE relativa aos resíduos dos equipamentos eléctricos e electrónicos e à conversão no direito nacional, as ferramentas eléctricas usadas devem ser separados e devem ser sujeitos a uma reciclagem que respeite o meio ambiente.

GARANTIA

Ver condições gerais de concessão de Garantia em brochura anexa a estas instruções.

VALORES DE RUÍDO E VIBRAÇÃO

A ferramenta foi desenhada e construída para reduzir ao mínimo os ruídos, mas apesar disto, **em especiais condições, o nível de ruído máximo no lugar de trabalho poderia ser superior a 85 dBA. Neste caso, o operador deve proteger-se do ruído excessivo por meio da utilização de protectores auditivos.**

Os níveis de ruído e vibração da máquina, medidos segundo a norma EN 60745-1, elevam-se normalmente a:

Nível de pressão acústica = 90 dB(A)

Nível de potência acústica = 103 dB(A)

Utilizar protectores auditivos!

Aceleração de vibração = 2,9 m/s²



DECLARAÇÃO DE CONFORMIDADE

Declaramos sob a nossa única responsabilidade que os produtos marca **FELISATTI** descritos neste manual APF200/1010LE estão em conformidade às normas ou documentos normalizados seguintes: EN60745-1:2008, EN60745-2-3, EN60745-2-4, EN55014-1:2006+A1, EN55014-2:1997+A1+A2, EN61000-3-2:2006+A1+A2 e EN61000-3-3:2008 de acordo com as directivas 2006/42/CEE, 2006/95/CEE, 2004/108/CEE e 2002/95/CEE.



Francisco Ruiz
Dir. Fábrica

Assinatura manuscrita de Francisco Ruiz.

ТЕХНИЧЕСКИЕ ХАРАКТЕРИСТИКИ

| Телескопический аппарат для шлифовки стен | | APF200/1010LE |
|--|--------|---------------|
| Входная мощность | Вт | 1010 |
| Скорость на холостом ходу | об/мин | 800-1600 |
| Максимальный диаметр листа абразивной бумаги | мм | 200 |
| Резьба шпинделя | ISO | M14 |
| Вес приблиз. (без аксессуаров) | кг | 2,9 |

Следует тщательно выполнять указания, приведенные в данном руководстве; руководство необходимо внимательно прочитать и хранить в доступном месте для использования в процессе выполнения технического обслуживания указанных деталей.

Бережное обращение с электроинструментом и соблюдение всех описанных ниже правил по уходу значительно продлят его срок эксплуатации.

Данный электроинструмент должен использоваться только по своему прямому назначению, предусмотренному настоящей инструкцией по эксплуатации. **Категорически запрещается любое другое применение электроинструмента.**

ВНЕШНИЙ ВИД

ОПИСАНИЕ (смотрите рисунки)

- A Кнопка включения (рис.1)
- B Переходной комплект (рис.1)
- C Кнопка блокировки шпинделя (рис.1)
- D Отвод пыли (рис.1)
- E Крепежный винт пенопластовой шайбы (рис.2)
- F Всасывающий трубопровод (рис.3)

АКСЕССУАРЫ, ВХОДЯЩИЕ В КОМПЛЕКТ ПОСТАВКИ

- 1 комплектный узел алмазного шлифовального круга (алмазный круг в комплект не включен)
- Инструкция по эксплуатации
- Правила по технике безопасности
- Гарантийный талон

ПРАВИЛА ПО ТЕХНИКЕ БЕЗОПАСНОСТИ

- См. «Правила по технике безопасности», прилагаемые к этой инструкции.
- **ВНИМАНИЕ!** Не допускается шлифование материала, содержащего асбест. При работе с материалами, содержащими асбест или при обработке камня на кремниевой основе образуется пыль, которая очень вредна для здоровья. Поэтому, в соответствии с правилами по технике безопасности во время работы необходимо использовать средства индивидуальной защиты.
- Для Вашей безопасности электроинструмент должен подключаться к электросети, защищенной дифференциальным магнитотепловым однофазным автоматом, предохраняющим электросеть от перегрузок и коротких замыканий.
- Не делайте отверстия в корпусе электроинструмента, так как это может привести к повреждению изолирующего слоя (используйте наклейки).
- Перед началом работы исследуйте обрабатываемую поверхность металлоискателем, так как в стенах могут проходить электропроводки, газовые и водопроводные трубы.
- Перед уходом за электроинструментом всегда отключайте питающий кабель от электросети.
- Вынимайте кабель питания из розетки держась за штепсель, ни в коем случае не тяните за кабель питания.
- **ВНИМАНИЕ!** Каждый раз перед использованием прибора убедитесь в исправности питающего кабеля и вилки. В случае обнаружения каких-либо неисправностей обращайтесь к специалистам.
- Избегайте попадания кабеля питания на обрабатываемую электроинструментом поверхность.
- Подключайте электроинструмент к сети только после того как Вы убедитесь в том, что кнопка включения находится в выключенном состоянии.
- Во время работы крепко держите электроинструмент обеими руками.
- Убедитесь в том, что заявленная скорость круга равна или превышает номинальную скорость шлифовальной машины.
- Убедитесь в том, что размеры круга соответствуют шлифовальной машине.
- Абразивные круги должны эксплуатироваться и храниться в соответствии с правилами, установленными производителями кругов.
- Берегите круг от ударов, столкновений и попадания масла.
- Перед установкой круга проверьте его состояние — он должен быть исправным и не должен иметь трещин. Неисправный диск с трещинами должен быть немедленно заменен на новый.
- При установке диска следуйте указаниям производителя.
- Перед включением шлифовальной машины убедитесь в правильности установки и крепления абразивного круга. Включите шлифовальную машину и дайте ей поработать на холостом ходу приблизительно в течение 30 секунд. При сильной вибрации или появлении каких-либо аномалий немедленно выключите шлифовальную машину. Причиной этого может быть неправильная установка круга или его плохая центровка.
- Используйте только фирменные шайбы или гайки. Не используйте никакие прокладки или адаптеры для установки нестандартных абразивных дисков.
- При использовании электроинструмента, который рассчитан на работу с аксессуарами, имеющими резьбу, она должна иметь достаточную глубину.
- Будьте осторожны с отделяющимися частями. Держать инструмент следует так, чтобы снап искр не был направлен в сторону оператора, других людей или воспламеняющихся веществ.
- При работе с камнем нужно пользоваться респиратором и пылесосом.

- Для обеспечения большей эффективности работы вы должны, основываясь на материале и степени конечной обработки поверхности, выбрать соответствующие размеры и зернистость.
- Запрещается прикасаться к вращающейся шлифовальной машине.
- **ВНИМАНИЕ!** После отключения электроинструмента круг некоторое время продолжает вращаться по инерции.
- При работе с электроинструментом всегда пользуйтесь защитными очками и средствами звуковой защиты. При необходимости рекомендуется использовать другие средства, такие как респиратор, перчатки, каска или фартур. Также рекомендуется обувать ботинки на прорезиненной подошве. Поскольку пыль, образующаяся при шлифовании различных материалов, окрашенных поверхностей или поверхностей с другим нанесенным покрытием, следует носить защитную маску. Если Вы не уверены в составе обрабатываемого материала, для профилактики рекомендуется использовать респиратор в любом случае.
- В пыльной среде вентиляционные отверстия всегда должны находиться открытыми. Если отверстия загрязняются, их необходимо очистить, предварительно выключив шлифовальную машину. Для чистки запрещается использовать металлические предметы. Чистку производите аккуратно, чтобы не повредить внутренние части и узлы электроинструмента.
- **ВНИМАНИЕ:** Некоторые виды пыли, образующиеся в ходе механической обработки путем шлифования, распилики, измельчения и сверления в сочетании с другими видами строительных операций, содержат химические вещества, вызывающие рак, врожденные нарушения и прочие заболевания. Ниже приведены некоторые примеры таких веществ: свинец, содержащийся в лакокрасочном покрытии на свинцовой основе, кристаллический кремнезем, содержащийся в кирпиче, цементе и кирпичной кладке, а также мышьяк и хром, содержащийся в древесине, подвергнутой химической обработке. Риск, обусловленный подобным воздействием, зависит от того, как часто выполняется подобная работа. Для уменьшения степени воздействия подобных химических веществ: работы следует производить в хорошо вентилируемом помещении при использовании одобренного защитного оборудования типа защитных масок для лица, специально предназначенных для фильтрации микроскопических частиц.
- **ВНИМАНИЕ!** Ни в коем случае не допускайте присутствие детей и беременных женщин в помещении, где проводится шлифовка, до того момента, пока помещение не будет тщательно проветрено. Опасность отравления свинцом особенно велика для детей и беременных женщин.

КРАТКОЕ ОПИСАНИЕ

Данная шлифовальная машина предназначена для шлифования и полирования всевозможных поверхностей строительного и промышленного назначения.

ПЕРЕД НАЧАЛОМ РАБОТЫ

Перед началом работы убедитесь в том, что напряжение электросети соответствует рабочему напряжению электроинструмента: рабочее напряжение указано на табличке характеристик на корпусе электроинструмента. Если на табличке характеристик указано напряжение 230 В, то электроинструмент также можно включать в сеть под напряжением 220 В.

УСТАНОВКА ЗАЩИТНОГО КОЖУХА

ВНИМАНИЕ! Перед уходом за электроинструментом всегда отключайте питающий кабель от электросети. Для обеспечения максимальной безопасности эксплуатации и контроля над электроинструментом использование вспомогательной рукоятки является обязательным.

УСТАНОВКА АКСЕССУАРОВ (ДИСКОВ И КРУГОВ)

ВНИМАНИЕ! В целях безопасности перед заменой дисков или маховиков всегда выключать инструмент из электросети. В процессе работы защитный кожух должен быть обязательно установлен, всегда используйте защитные очки.

ВНИМАНИЕ! Ни в коем случае не нажимайте на кнопку блокировки шпинделя **С** во время работы шлифовальной машины. Не нажимайте на кнопку блокировки до того момента, пока вал полностью не остановится.

Сборка пенопластовой шайбы выполняется следующим образом:

1. С помощью шестигранного ключа отверните винт **Е** (рис.2) и снимите шайбу.
2. Установите диск Velcro.
3. Установите шайбу на место и заверните винт при помощи шестигранного ключа.
4. После установки абразивного круга убедитесь в том, что кнопка блокировки шпинделя вернулась в исходную позицию. Возвращение в исходную позицию обеспечивается пружиной, которая находится внутри кнопки.

ПУСК ЭЛЕКТРОИНСТРУМЕНТА

ВНИМАНИЕ! Напряжение электросети должно соответствовать рабочему напряжению электроинструмента.

Производителю подключение к электросети только при выключенной кнопке включения.

Пуск производится путем установки выключателя **А** в положение 1 ("ON"). Чтобы выключить электроинструмент, переведите выключатель в исходное положение.

Модель с постоянной и регулируемой скоростью Встроенный модуль позволяет выполнять следующие функции:

- Плавный запуск.
- Поддержание практически постоянной номинальной скорости до достижения номинальной мощности.
- Система защиты от перегрузки за счет отсечки тока в случае перегрузки двигателя; в этом случае фрезерный инструмент выключается и повторно включается только после уменьшения давления при шлифовании.

Электронный регулятор скорости обеспечивает возможность установки различной скорости в пределах от 1 до 6. Выбор наиболее подходящей скорости производится с учетом шлифуемой детали.

МЕРА ПРЕДОСТОРОЖНОСТИ: Регулятор скорости необходимо сначала повернуть в положение 6, а затем вернуть в положение 1. Запрещается устанавливать регулятор в положение за пределами положения 6 или 1, так как это может привести к выходу из строя электроинструмента.

Защита от перегрузки

При возникновении перегрузки двигатель останавливается. С инструмента необходимо немедленно удалить обрабатываемую деталь, инструмент должен остаться работать на максимальной скорости без нагрузки в течение примерно тридцати секунд, чтобы обеспечить охлаждение двигателя.

ПРАВИЛА ЭКСПЛУАТАЦИИ

Нельзя включать шлифовальную машину без абразивного диска.

Сухая шлифовка стен

Включите шлифовальную машину.

Не прилагая больших усилий, установите шлифовальную машину на рабочую поверхность.

Прикладываемое усилие должно быть ровно таким, чтобы прижать абразивный диск плоской стороной к обрабатываемой поверхности.

Перемещайте шлифовальную машину, не отрывая ее от рабочей поверхности. Применяйте равномерные и широкие движения.

Внимание: не допускайте, чтобы вращающийся диск касался острых выступов, винтов, гвоздей и т.п., так как эти предметы могут повредить оборудование.

ВНИМАНИЕ: предельное значение рабочего нажима.

Инструмент всегда заранее указывает на достижение максимального рабочего предельного значения, что видно по неконтролируемой вибрации передающего кабеля из-за повышенного нажима, оборотов или типа абразивного материала, непригодного для данной обрабатываемой поверхности.

При обнаружении неконтролируемой вибрации, во избежание обрыва передающего кабеля, уберите шайбу с обрабатываемой поверхности на период времени, необходимый для восстановления режима работы аппарата (3-5 секунд) и начните работу снова, выдерживая нажим на умеренной величине или регулируя скорость инструмента.

Используйте такие круги с абразивной бумагой, которые соответствуют обрабатываемой поверхности и требуемым результатам.

В обязательном порядке держите абразивный шлифовальный круг параллельно обрабатываемой поверхности.

МЕРА ПРЕДОСТОРОЖНОСТИ: В процессе работы шлифовальной машины электрический кабель всегда должен располагаться сзади, чтобы за него невозможно было зацепиться.

ПЫЛЕСБОРНИК

ВНИМАНИЕ! Перед установкой или снятием пылесборника убедитесь в том, что

электроинструмент выключен, и кабель питания отключен от электросети.

Пылесборник позволяет избежать загрязнения рабочего места, снижает содержание пыли в воздухе и облегчает сбор опилок.

В предлагаемых шлифовальных машинах предусмотрена система отвода пыли, которую можно подсоединить к любому пылесосу или иному устройству для удаления пыли.

ПРЕДУПРЕЖДЕНИЕ: Устройство отвода пыли обязательно должно иметь конструкцию, соответствующую экологическим нормам удаления пыли.

Если используется обычный пылесос, его шланг можно установить прямо на вывод.

Вытяжное устройство должно соответствовать обрабатываемому материалу.

В случае образования вредной сухой или канцерогенной пыли необходимо использовать специальное вытяжное устройство.

АКСЕССУАРЫ

Аксессуары можно заказать по каталогу, указав их порядковый номер.

ПРАВИЛА ПО УХОДУ

ВНИМАНИЕ! Перед уходом за электроинструментом всегда отключайте питающий кабель от электросети.

- **Внешний осмотр:** Использование изношенного шлифовального или полировального инструмента снижает эффективность работы.

- **Осмотр винтов корпуса:** Регулярно проверяйте надежность крепления всех винтов. При обнаружении ослабленного винта немедленно затяните его. В противном случае Вы подвергаете себя риску получения травмы.

- **Уход за электродвигателем:** Необходимо особенно бережно относиться к электродвигателю, избегать попадания воды или масла в его обмотки.

- Вентиляционные отверстия электроинструмента должны быть всегда открытыми и чистыми.

- По окончании работ инструмент необходимо тщательно вычистить. Регулярно прочищайте электродвигатель сжатым воздухом.

- Перед использованием электроинструмента проверьте исправность кабеля. Если кабель поврежден, то необходимо обратиться в центр технического обслуживания для его ремонта или замены.

- **Замена щеток:** Щетки автоматически отключаются при их износе. Их необходимо менять после каждых 150 - 200 часов эксплуатации, или когда их длина станет меньше 10 мм. Эта операция должна выполняться только в центрах технического обслуживания, имеющих разрешение на этот вид деятельности. Рекомендуется сдавать электроинструмент в один из наших центров технического обслуживания после каждой второй замены щеток для проведения технического осмотра, очистки и смазки.

- Разрешается использовать только аксессуары и запчасти фирмы **Felisatti**. Замена неисправных деталей, за исключением тех, которые описываются в этой инструкции, должна производиться только в

центрах технического обслуживания фирмы **Felisatti** (Смотрите прилагаемый гарантийный талон/адреса центров технического обслуживания).



Запрещается выбрасывать электроинструмент вместе с бытовыми отходами!

В соответствии с Директивой ЕС номер 2002/96/ЕС относительно старых электрических и электронных устройств и ее приложением к национальному законодательству бывшие в употреблении электрические приборы необходимо собирать отдельно и утилизировать способами, не наносящими вреда экологии.

ГАРАНТИЯ

Условия гарантии смотрите в гарантийном талоне, прилагаемом к этой инструкции по эксплуатации.

ШУМ И ВИБРАЦИЯ

При разработке данного инструмента особое внимание уделялось снижению уровня шума. **Несмотря на это, в некоторых случаях уровень шума на рабочем месте может достигнуть 85 дБА. В этой ситуации оператор должен использовать средства звуковой защиты.**

Уровень шума и вибрации инструмента соответствует нормативам EN 60745-1 и имеет следующие номинальные параметры:

Акустическое давление = 90 дБ (А)

Акустический резонанс = 103 дБ (А)

Пользуйтесь средствами звуковой защиты!

Ускорение вибрации = 2,9 м/с²



ДЕКЛАРАЦИЯ О СООТВЕТСТВИИ

Мы со всей ответственностью заявляем, что электроинструменты APF200/1010LE марки **FELISATTI**, описание которых приведено в данной инструкции, соответствуют требованиям следующих нормативных документов: EN60745-1:2008, EN60745-2-3, EN60745-2-4, EN55014-1:2006+A1, EN55014-2:1997+A1+A2, EN61000-3-2:2006+A1+A2 и EN61000-3-3:2008 в соответствии с директивами ЕС 2006/42/ЕС, 2006/95/ЕС, 2004/108/ЕС и 2002/95/ЕС.



Francisco Ruiz
Директор фабрики



Interskol Power Tools S.L.
Ctra. de Sant Joan de les Abadesses s/n
17500 RIPOLL (Girona)
www.felisatti.es