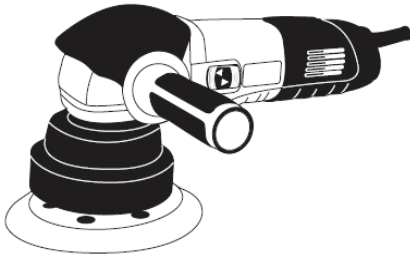


 **FELISATTI**[®]

RGF150/600E



- (GB)** Operating Instructions
- (E)** Instrucciones de servicio
- (F)** Mode d'emploi
- (I)** Istruzioni per l'uso
- (D)** Bedienungsanleitung
- (P)** Instruções de utilização
- (RU)** Инструкция по эксплуатации

ORBITAL SANDER
LIJADORA ROTO-ORBITAL
PONCEUSE ROTO-ORBITALE
SMERIGLIATRICE ROTO ORBITALE
EXZENTERSCHLEIFER
LIXADORA ROTORBITAL
РОТОР-ОРБИТАЛЬНАЯ
ШЛИФОВАЛЬНАЯ МАШИНА



Fig. 1

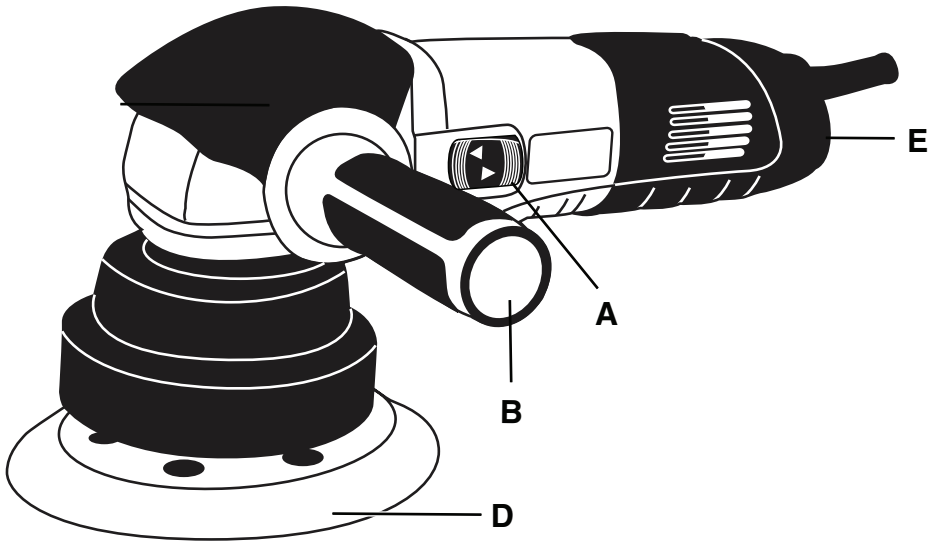
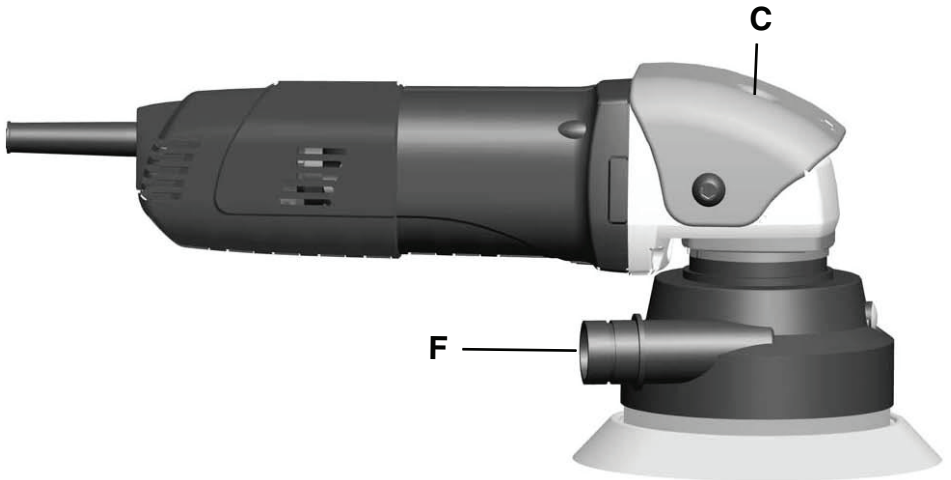


Fig. 2



TECHNICAL DATA

Rotorbital sander	RGF150/600E	
Input power	W	600
No-load speed	rpm	2500-6500
Orbits per minute	opm	5000-13000
Max. diameter of the Velcro plate	mm	150
Oscillation circle	mm	5
Approx. weight (without acces.)	Kg	2.4

The instructions contained in this manual must be strictly followed, it should be carefully read and kept close at hand to use when carrying out maintenance on the indicated parts.

If the machine is used carefully and normal maintenance is carried out, it will work well for a long time.

The functions and use of the tool you have bought shall be only those described in this manual. **Any other use of the tool is strictly forbidden.**

ILLUSTRATIONS

DESCRIPTION (See figures)

- A Start-up switch (Fig.1)
- B Auxiliary handle (Fig.1)
- C Spindle blocking button (Fig.2)
- D Velcro plate (Fig.1)
- E Electronic regulation control (Fig.1)
- F Dust output (Fig.2)

EQUIPMENT

- Operating instructions
- Safety instructions
- Warranty

SAFETY INSTRUCTIONS

- See **“Safety Instructions”** manual, supplied with this instruction manual.
- **WARNING!** Material containing asbestos must not be polished. Working with materials containing amianthus/asbestos and/or silica stones produces a dust, which is harmful to health. Protect yourself from inhaling this dust, in compliance with current regulations on accident prevention.
- For your personal safety, always connect the machine to a mains supply protected by a differential and thermal cutout switch, in accordance with regulations on low-voltage wiring sitemaps.
- Do not pierce the motor housing as this could damage the double insulation (use adhesive labels).
- Check the work area with a metal detector for hidden wires, gas and/or water pipes.
- Always unplug the machine before carrying out work on it.
- Always stop the machine by switching it off, not by unplugging it.
- **WARNING!** Before each use, inspect the plug and lead. Should they need replacing, have this done by an official service centre.
- Always keep the mains lead clear of the working range of the machine.
- Only plug the machine in when it is switched off.

- Always use the machine with the auxiliary handle attached.
- Hold the machine firmly in both hands and in a stable position.
- Check that the speed marked on the disk is the same or superior to the nominal velocity of the Rotorbital sander.
- Assure yourself that the dimensions of the disk are compatible with the Rotorbital sander.
- The abrasive discs should be handled and kept with the utmost care, in accordance with the manufacturer's instructions.
- Protect the polisher from knocks, collisions and grease.
- Carefully verify the plate in order to assure yourself that it is not damaged, nor does it have any cracks before using it.
- Assure yourself that the abrasive disks are mounted in accordance with the manufacturer's instructions.
- Check that the disc has been properly fitted and secured before using the machine. Start the machine with no load and run for 30 seconds in a safe position; if you notice serious vibration or any other defect stop the machine immediately. This can indicate a incorrect installation or a badly balanced plate.
- Beware of shavings that fly off. Hold the tool that so that sparks fly away from you or other people and inflammable materials.
- When working on stone, use dust extraction equipment and wear a mask.
- In order for the job to be effective, you should select, based on the material and surface finish, the appropriate size and abrasive.
- Do not touch rotating polishing tools.
- **WARNING!** The machine maintains itself running during some moments after turning it off.
- When working with the machine, always wear safety goggles and ear protection. Other personal protection equipment such as dust masks, gloves, helmet and apron should be worn when necessary, along with non-slip safety footwear. When considering the need to use a protective mask against the dust, this should also be for the possible harmful effects of the polished material and paint or other surface coating. If in doubt, use safety equipment.
- Make sure the vents are free when working with dust. If they require cleaning, first unplug the machine, do not use metal objects and avoid damaging internal parts.
- **WARNING:** Certain types of dust produced by mechanical polishing, sawing, grinding and drilling, together with other construction activities, contain chemical agents which are known to cause cancer, congenital and other similar defects. Some examples of the chemical agents

are given below: the lead in lead-based paint, crystalline silica from bricks and cement and other masonry products, and also arsenic and chromium from chemically treated wood. The risk deriving from this type of exposure varies and depends on the frequency with which this type of work is carried out. In order to reduce exposure to these chemical agents: work in a well ventilated area and work with approved safety equipment, such as face masks which are specially designed to filter out microscopic particles.

- **WARNING!** Pregnant women and children should not enter any area where paint is being sanded until it has been thoroughly cleaned. Pregnant women and children are at greater risk from lead poisoning.
- **Use the tool for dry sanding only.** If water enters the tool there is an increased risk of electric shock.

BRIEF DESCRIPTION

Rotorbital sanders have circular bases that make small, very fast circular movements. The result is very smooth, scratch-free. Most tools have a perforated base through which dust is vacuumed, when using perforated abrasive sandpaper. They are used to obtain a fine finish.

WARNING! Any use differing from the above is strictly forbidden.

Use only for the following types of work:

1. Finishing of wooden surfaces, synthetic material, metal and painted surfaces.
2. Removing rust and finishing steel surfaces.

BEFORE USING THIS TOOL

Before using the tool, make sure the mains voltage is correct: it must be the same as that on the specification label. Machines with 230V can also be connected to a 220-V mains supply.

FITTING SAFETY DEVICES

WARNING! Always unplug the machine before carrying out work on it.

Use of the auxiliary handle is obligatory in order to ensure greater control and safety when handling the tool.

FITTING THE ACCESSORIES

WARNING! For safety reasons, you should always disconnect the apparatus from the power source before proceeding to change the plate. Always wear safety goggles.

Immediately substitute a damaged plate.

WARNING! Never press the blocking button when the machine is running. The shaft must have stopped completely before the blocking button is pressed.

For changing the Velcro plate, proceed in the following manner:

1. Block the spindle (shaft) by pressing blocking button **C** and with one hand unscrew the plate.
In order to mount the plate, proceed in reverse order.
2. Once the disc is fitted, check that the blocking button has returned to its original position due to movement of the incorporated spring.

MOUNTING OF SANDPAPER SHEETS

WARNING: Whenever you work on the machine, always unplug it first.

First select the right grain of sandpaper for the surface to be sanded.

These sanders incorporate a sandpaper with Velcro attachment system that is attached directly to the plate. In order to assure an optimal dust aspiration, the holes of the sanding sheet should coincide with the holes of the plate.

STARTING THE TOOL

WARNING! Check that the mains voltage is the same as that in the machine's specifications.

Plug the machine in with the switch off.

Start the machine by turning the switch **A** to position "ON". To switch off, do the same in reverse.

Constant electronic performance and speed adjustment

The built-in module enables soft start and for the rated speed to be maintained practically constant until the rated power is reached.

The electronic speed regulator enables the speed to be set to different positions from 1 to 6. The most appropriate speed should be selected according to the part to be polished.

PRECAUTION: The speed regulator can only be turned to position 6 and then be returned to position 1. It must never be forced beyond 6 or 1, since this could cause damage to the machine.

WORKING INSTRUCTIONS

Do not use the sander without the abrasive disk.

Move the sander over the entire surface to be sanded. Its weight is pressure enough. Extra pressure merely slows the sanding action and produces an irregular finish, in addition to wearing out the sander and sandpaper. Do not leave the machine in operation by itself since it will over-sand the surface.

Always switch the sander on before placing on the surface to be sanded. Never switch off the sander when positioned on the surface: first lift off and then switch off.

Do not use the sander without sandpaper since this would damage the supporting pad. Keep hands away from the air holes and ensure that neither oil nor water can penetrate into the motor.

Attention: do not let the spinning disk touch sharp protrusions, screws, nails, etc., because they could cause damage.

Use sandpaper discs which are suitable for the surface to be worked and the required results.

PRECAUTION: During polisher operation, the electrical cable should always be kept behind to prevent it being trapped.

DUST EXTRACTION

WARNING! Always make sure that the tool is switched off and unplugged before fitting or removing any dust extraction device.

Dust extraction keeps the workplace clean, prevents dust build-up in the air and facilitates waste elimination.

These sanders are provided with a dust aspiration output which adapts to a universal vacuum or any other dust aspiration device.

CAUTION: Always use an aspiration extractor designed according to the guidelines applicable to dust emission.

The flexible hoses of conventional vacuum cleaners fit directly onto the dust extraction nozzle.

The aspirator should be suitable for the material being worked.

A special aspirator must be employed in those cases where dry harmful or carcinogenic dust is produced.

ACCESSORIES

Accessories and their corresponding order number can be found in our catalogues.

MAINTENANCE AND CARE

WARNING! Always unplug the machine before carrying out work on it.

- **Inspect the tool:** Using a worn out polishing or polishing tool will reduce working efficiency.
- **Inspect the mounting screws:** Regularly inspect all the mounting screws and ensure they are firmly tightened. Should any screw be loose, tighten it immediately. Failure to do so could put you at serious risk.
- **Motor maintenance:** Always take the greatest care over this and make sure that the motor winding is not damaged and does not become wet with oil or water.
- The vents should always be kept clean and free of obstacles.
- Clean the machine thoroughly after each use. Blast the motor regularly with compressed air.
- Check that the mains lead is in good condition. If it is not, take it to an Official Service Centre to have it replaced.
- **Brush replacement:** The brushes should be replaced after 150 - 200 hours use or when they are less than 10 mm long. Have this done by an Official Service Centre. We recommend that at every second change of brushes, you take the machine to one of our Official Service Centres for general cleaning and oiling.
- Use only **Felisatti** accessories and spares. Parts the changing of which is not covered in this instruction manual, should be replaced in a **Felisatti** Official Service Centre (See Warranty/Official Service Centre address leaflet).



Do not dispose of electric tools in the household waste!

In accordance with European Directive 2002/96/EC relating to old electrical and electronic appliances and its translation into national law, used electric tools must be collected separately and recycled in an ecologically desirable way.

WARRANTY

See general warranty conditions printed on the attached sheet.

NOISE AND VIBRATION

This tool has been designed and made to reduce noise to a minimum. However, in spite of this, **in certain circumstances the maximum noise level in the place of work could exceed 85 dBA. In this case, the operator should wear ear protection.**

The machine's noise and vibration levels, measured in compliance with EN60745-1, usually reach:

Acoustic pressure = 82 dB(A)

Sound-power level = 92 dB(A)

Use ear protection!

Vibration acceleration = 7.5 m/s²



DECLARATION OF CONFORMITY

We hereby declare, under our sole responsibility, that the **FELISATTI** brand products described in this manual RGF150/600E comply with the following standards or standard documents: EN60745-1:2008, EN55014-1:2006+A1, EN55014-2:1997+A1+A2, EN61000-3-2:2006+A1+A2 and EN61000-3-3:2008 in accordance with EU Directives 2006/42/EC, 2006/95/EC, 2004/108/EC and 2002/95/EC.



Francisco Ruiz
Plant Mgr.

We reserve the right to make technical changes 09/2001

CARACTERÍSTICAS TÉCNICAS

Lijadora rotorbital		RGF150/600E
Potencia absorbida	W	600
Velocidad en vacío	rpm	2500-6500
Órbitas por minuto	opm	5000-13000
Diámetro máx. plato de velcro	mm	150
Círculo de oscilación	mm	5
Peso aprox. (sin acces.)	Kg	2,4

Respetar escrupulosamente las instrucciones contenidas en este manual, leerlo con atención y tenerlo a mano para eventuales controles de las partes indicadas. Si se utiliza la máquina con cuidado y se cumple el normal mantenimiento, su funcionamiento será prolongado.

Las funciones y el uso de la herramienta que usted compró son sólo y exclusivamente aquellas indicadas en este manual. **Está totalmente prohibido cualquier otro uso de la herramienta.**

ILUSTRACIONES

DESCRIPCIÓN (Ver figura indicada)

- A Interruptor de mando (Fig.1)
- B Empuñadura auxiliar (Fig.1)
- C Botón de bloqueo del husillo (Fig.2)
- D Plato velcro (Fig.1)
- E Control regulación electrónica (Fig.1)
- F Salida polvo (Fig.2)

EQUIPO DOTACIÓN DE LA MÁQUINA

- Manual de instrucciones de servicio
- Instrucciones de seguridad
- Documento de garantía

INSTRUCCIONES DE SEGURIDAD

- Ver el manual adjunto "**Instrucciones de seguridad**" que se suministra conjuntamente con el presente manual de instrucciones.
- ¡**ATENCIÓN!** No se debe pulir material que contenga amianto. Al trabajar con materiales de amianto/asbesto y/o piedras de sílice, el polvo que se produce es perjudicial para su salud. Protéjase de la inhalación de ese polvo según normas de prevención de accidentes.
- Conecte siempre la máquina a una red protegida por interruptor diferencial y magnetotérmico, para su seguridad personal, según normas establecidas para instalaciones eléctricas de baja tensión.
- No perforar la carcasa de la máquina, pues se interrumpe el aislamiento de protección (utilizar rótulos adhesivos).
- Controlar el área de trabajo con un detector de metales ya que puede haber conductores eléctricos, tuberías de gas y/o agua ocultas.
- Desconecte siempre el enchufe antes de llevar a cabo cualquier trabajo en la máquina.
- Al parar la máquina debe hacerse siempre por medio del interruptor, no desconectando la clavija.
- ¡**ATENCIÓN!** Cada vez que vaya a utilizar la máquina controle el estado del enchufe y del cable. Deje sustituirlos por un especialista en el caso de que estén deteriorados.
- Mantener siempre el cable separado del radio de acción de la máquina.
- Enchufar la máquina a la red solamente en posición desconectada.
- La máquina se debe usar siempre con la empuñadura adicional montada.
- Sostener siempre la máquina fuertemente con ambas manos y manteniendo una posición estable.
- Comprobar que la velocidad marcada en el disco sea igual o superior a la velocidad nominal de la lijadora rotorbital.
- Asegurarse que las dimensiones del disco sean compatibles con la lijadora rotorbital.
- Los discos abrasivos tienen que ser manipulados y guardados con cuidado de acuerdo con las instrucciones del fabricante.
- Proteger el útil de pulir y/o lijar contra golpes, choques y grasa.
- Comprobar cuidadosamente el plato para cerciorarse que no esté dañado ni tenga grietas antes de utilizarlo.
- Asegurarse que los discos abrasivos se monten de acuerdo con las instrucciones del fabricante.
- Asegurarse que el producto abrasivo haya sido bien colocado y fijado antes de usar la máquina. Poner en marcha la máquina en vacío durante 30 segundos en una posición segura; si se detecta una vibración considerable u otros defectos parar inmediatamente la máquina. Esto puede indicar una instalación incorrecta o un plato mal equilibrado.
- Tener cuidado con las virutas que saltan. Sostener la herramienta de modo que las chispas salten donde no esté usted ni otras personas ni materiales inflamables.
- Al trabajar la piedra utilizar equipo para aspiración de polvo y llevar mascarilla antipolvo.
- Para que el trabajo sea efectivo debe seleccionarse, en función del material y acabado superficial, el tamaño y abrasivo adecuado.
- No tocar los útiles de pulir en rotación.
- ¡**ATENCIÓN!** La máquina se mantiene un tiempo en marcha girando tras la desconexión del aparato.
- Para trabajar con la máquina, utilizar siempre gafas de protección y protectores auditivos. Otros equipos de protección personal como mascarilla protectora de polvo, guantes, casco y mandil pueden usarse si es necesario, así como es recomendable usar calzado de seguridad antideslizante. Cuando se considere la necesidad de usar máscara protectora contra el polvo es por las propiedades nocivas tanto del polvo del material pulido como de pintura u otro revestimiento de superficie. En caso de duda, se aconseja usar el equipo protector.
- Asegurarse que las aberturas de ventilación siempre estén libres cuando se trabaja con polvo. Si es necesario

limpiar el polvo, primero desconectar la máquina, no utilizar objetos metálicos y evitar dañar las partes internas.

- **ADVERTENCIA:** Cierta polvo generado por el lijado, pulido, aserrado, amolado y taladrado mecánicos, y por otras actividades de construcción, contiene agentes químicos que se sabe que causan cáncer, defectos de nacimiento u otros daños sobre la reproducción. Algunos ejemplos de estos agentes químicos son: plomo de pinturas a base de plomo, sílice cristalina de ladrillos y cemento y otros productos de mampostería, y arsénico y cromo de madera tratada químicamente. Su riesgo por causa de estas exposiciones varía, dependiendo de la frecuencia con que realice este tipo de trabajo. Para reducir su exposición a estos agentes químicos: trabaje en un área bien ventilada y trabaje con equipo de seguridad aprobado, como por ejemplo máscaras antipolvo que estén diseñadas especialmente para impedir mediante filtración el paso de partículas microscópicas.
- **¡ADVERTENCIA!** Ningún niño o mujer embarazada deberá entrar en la zona de trabajo donde se esté lijando pintura hasta que toda la limpieza se haya llevado a cabo. El peligro de intoxicación con plomo se pronuncia en los niños y mujeres embarazadas.
- **Sólo emplee la herramienta para lijar en seco.** La entrada de agua en la herramienta supone un mayor riesgo de electrocución.

DESCRIPCIÓN ABREVIADA

Las lijadoras rotorbitales tienen una suela circular que realiza pequeños movimientos circulares muy rápidos sin girar. El resultado es un lijado muy regular, sin arañazos. La mayoría de los aparatos tienen una suela perforada, a través de la cual se aspira el polvo, siempre y cuando se utilice papel abrasivo perforado, claro. Se utilizan para obtener un acabado fino.

¡ADVERTENCIA! Cualquier otro uso distinto del mencionado no está autorizado.

Usar sólo para los siguientes trabajos:

1. Acabado de superficies de madera, material sintético, metal y superficies pintadas.
2. Desoxidado y acabado de superficies de acero.

ANTES DE USAR ESTA HERRAMIENTA

Antes de usar la herramienta, cerciorarse de que la tensión de la red sea correcta: La indicación de tensión en la placa de características debe coincidir con la tensión de red. Los aparatos a 230V pueden conectarse también a una tensión de red de 220V.

MONTAJE DE LOS DISPOSITIVOS DE SEGURIDAD

¡ATENCIÓN! Desconecte siempre el enchufe antes de llevar a cabo cualquier trabajo en la máquina.

Con el fin de tener un mejor control y seguridad en el manejo de la máquina, es obligatorio el uso de la empuñadura auxiliar.

MONTAJE DE LOS ACCESORIOS

¡ATENCIÓN! Por razones de seguridad, deberá desconectarse siempre la máquina de la red antes de proceder al cambio del plato. Use siempre gafas de seguridad.

Sustituir inmediatamente un plato dañado.

¡ADVERTENCIA! No presionar nunca el botón de bloqueo con la máquina en marcha. Antes de apretar el

botón de bloqueo, el eje debe estar completamente parado.

Para cambiar el plato de velcro, proceder de la siguiente manera:

1. Bloquear el husillo (eje) presionando sobre el botón de bloqueo **C** y con una mano destornillar el plato. Para montar el plato proceder de forma inversa.
2. Una vez finalizada la operación de montaje, comprobar que el botón de bloqueo haya recuperado su posición inicial por efecto del muelle que lleva incorporado.

MONTAJE DE LOS PAPELES DE LIJA

ADVERTENCIA: Durante cualquier tipo de trabajo en la máquina, retirar el enchufe de la red.

Seleccione previamente el papel de lija con el grano adecuado para la superficie a lijar.

Estas lijadoras disponen de un sistema de fijación del papel de lija con velcro, que queda fijado directamente en el plato. Para asegurar una aspiración de polvo óptima los agujeros de la hoja lijadora tienen que coincidir con los agujeros del plato.

PUESTA EN MARCHA DE LA HERRAMIENTA

¡ATENCIÓN! Verificar que la tensión de la red coincida con la de las características de la máquina.

Conectar la máquina a la red con el interruptor desconectado.

La máquina se pone en marcha desplazando el interruptor de mando **A** hacia la posición "on". Para desconectar, actuar en sentido contrario.

Electrónica constante y regulación de la velocidad

El módulo incorporado permite un arranque suave y mantener la velocidad nominal prácticamente constante hasta la potencia nominal.

El regulador electrónico de velocidad permite ajustar la velocidad en diferentes posiciones en un número de ajuste dado del 1 al 6. Seleccionar la velocidad apropiada según el acabado y la pieza de trabajo que desee pulir.

PRECAUCIÓN: El regulador de velocidad puede girarse solamente hasta el número 6 y volver al número 1. No lo fuerce más allá del 6 o del 1, de lo contrario puede estropearse y dejar de funcionar.

INDICACIONES PARA EL TRABAJO

No use la lijadora sin el disco abrasivo montado.

Desplace la lijadora por toda la superficie a lijar. Sólo su peso basta para una buena presión. Una mayor presión retrasa la acción de lijado y produce un acabado irregular, haciendo además que se desgaste la herramienta y el papel de lija. No deje la lijadora sola y en marcha sobre la pieza a lijar, o eliminará demasiado material.

Ponga en marcha la lijadora siempre antes de acercarla a la pieza a lijar. No apague nunca la lijadora cuando esté colocada sobre la pieza a lijar. Levante primero la lijadora y apáguela después.

No use la lijadora sin papel de lija, o se estropeará la almohadilla de soporte. Tenga cuidado de no tapar con la mano los orificios de ventilación y procure que no entre en el motor de la máquina agua ni aceite.

Atención: no deje que el disco giratorio toque salientes agudos, tornillos, clavos, etc., ya que puede resultar dañado.

No fuerce nunca la herramienta. La presión excesiva puede causar atascos, sobrecalentamientos del motor, quemas de la pieza de trabajo y contragolpes.

Utilice discos abrasivos apropiados según la superficie a pulir/lijar y según los resultados deseados.

PRECAUCIÓN: Durante el pulido/lijado es necesario mantener siempre el cable hacia atrás para evitar que lo pueda coger la máquina.

ASPIRACIÓN DEL POLVO

¡ADVERTENCIA! Asegurarse siempre que la herramienta está desconectada y desenchufada antes de instalar o extraer cualquier dispositivo de aspiración de polvo.

La aspiración del polvo reduce la suciedad del puesto de trabajo, evita un alto contenido de polvo en el aire a respirar y facilita la eliminación de residuos.

Estas lijadoras están provistas de una salida de aspiración del polvo en el cual se podrá adaptar un aspirador universal o cualquier otro dispositivo de aspiración del polvo.

¡PRECAUCIÓN! Utilice siempre un extractor de aspiración diseñado de acuerdo con las directrices aplicables en relación con la emisión de polvo.

Los tubos flexibles de aspiración de los aspiradores más comunes se ajustan directamente a la boca de extracción de polvo.

El aspirador debe ser el adecuado al material a trabajar.

En caso de extraer polvo seco nocivo para la salud o incluso cancerígeno, debe emplearse un aspirador especial.

ACCESORIOS

Los accesorios y sus correspondientes números para pedido están reflejados en nuestros catálogos.

MANTENIMIENTO Y CUIDADOS

¡ATENCIÓN! Desconecte siempre el enchufe antes de llevar a cabo cualquier trabajo en la máquina.

- **Inspección de la herramienta:** la utilización de un útil de pulir o lijar gastado disminuirá la eficiencia de trabajo.
- **Inspeccionar los tornillos de montaje:** Regularmente inspeccionar todos los tornillos de montaje y asegurarse de que estén apretados firmemente. Si cualquier tornillo estuviera suelto, volver a apretarlo inmediatamente. El no hacer esto provocaría un riesgo serio.
- **Mantenimiento del motor:** prestar el mayor cuidado y asegurarse de que el bobinado del motor no se dañe y/o se humedezca con aceite o agua.
- Mantener siempre libres y limpias las aberturas de ventilación.
- Limpiar esmeradamente la máquina después de utilizarla. Soplar regularmente el motor con aire a presión.
- Comprobar que el cable de toma de corriente esté en buen estado y, en caso contrario, acudir a un centro de asistencia técnica para que lo sustituyan.
- **Sustitución de las escobillas:** las escobillas deben sustituirse al cabo de unas 150-200 horas de trabajo o bien cuando su longitud sea inferior a 10 mm. Para ello, debe acudir a un centro de asistencia autorizado para que efectúe el cambio. Recomendamos que en cada segundo cambio de escobillas, entregue la máquina a uno de nuestros Servicios de Asistencia Técnica para una revisión de limpieza y engrase general.

- Sólo se deben utilizar accesorios y piezas de repuesto **Felisatti**. Piezas cuyo recambio no esté descrito en estas instrucciones de uso, deben sustituirse en un centro de asistencia técnica **Felisatti** (Consulte el folleto Garantía/Direcciones de Centros de Asistencia Técnica).



¡No se deshaga de las herramientas eléctricas a través de los contenedores de basura doméstica!

De acuerdo con la directriz europea 2002/96/CE referente a los residuos de los equipamientos eléctricos y electrónicos y a la conversión en el derecho nacional, las herramientas eléctricas usadas deben ser separadas y deben estar sujetas a un reciclaje que respete el medio ambiente.

GARANTÍA

Ver condiciones generales de concesión de Garantía en el impreso anexo a estas instrucciones.

VALORES DE RUIDO Y VIBRACIÓN

La herramienta ha sido proyectada y construida para reducir al mínimo los ruidos, a pesar de esto **en especiales condiciones el nivel de ruido máximo en el sitio de trabajo podría ser superior a 85 dBA. En este caso el operador debe protegerse del ruido excesivo por medio de la utilización de protectores auditivos.**

Los niveles de ruido y vibración de la máquina, medidos según la norma EN60745-1, se elevan normalmente a:

Nivel de presión acústica = 82 dB(A)

Nivel de potencia acústica = 92 dB(A)

¡Se han de usar protectores auditivos!

Aceleración de vibración = 7,5 m/s²



DECLARACIÓN DE CONFORMIDAD

Declaramos bajo nuestra sola responsabilidad que los productos marca **FELISATTI** descritos en este manual RGF150/600E están en conformidad con las normas o documentos normalizados siguientes: EN60745-1:2008, EN55014-1:2006+A1, EN55014-2:1997+A1+A2, EN61000-3-2:2006+A1+A2 y EN61000-3-3:2008 de acuerdo con las directivas 2006/42/CEE, 2006/95/CEE, 2004/108/CEE y 2002/95/CEE.



Francisco Ruiz
Dir. Fábrica

CARACTÉRISTIQUES TECHNIQUES

Ponceuse rotorbitale		RGF150/600E
Puissance absorbée	W	600
Vitesse à vide	rpm	2500-6500
Orbites par minute	opm	5000-13000
Diamètre max. plateau velcro	mm	150
Amplitude du mouvement excentrique	mm	5
Peso aprox. (sin acces.)	Kg	2,4

Respecter strictement les instructions contenues dans ce manuel qu'il convient de lire attentivement et de conserver à portée de main pour d'éventuels contrôles des parties indiquées.

Si la machine est utilisée avec soin et son entretien normalement assuré, son fonctionnement sera prolongé. Les fonctions et l'utilisation de la machine que vous avez acquise sont celles indiquées dans ce manuel. **Tout autre usage de la machine est formellement interdit.**

ILLUSTRATIONS

DESCRIPTION (Voir figures indiquées)

- A Interrupteur de commande (Fig.1)
- B Poignée auxiliaire (Fig.1)
- C Bouton de blocage de l'arbre (Fig.2)
- D Plateau velcro (Fig.1)
- E Contrôle régulation électronique (Fig.1)
- F Sortie de la poussière (Fig.2)

ÉQUIPEMENT DE LA MACHINE

- Notice d'utilisation
- Consignes de sécurité
- Garantie

INSTRUCTIONS DE SÉCURITÉ

- Voir le livret « **Instructions de sécurité** » joint à cette notice d'utilisation.
- **AVERTISSEMENT !** Il ne faut pas poncer des matériaux contenant de l'amiante. La poussière produite en travaillant des matériaux d'amiante/asbeste et/ou des pierres de silice est nuisible à la santé. Protégez-vous de l'inhalation de ces poussières selon les normes de prévention des accidents.
- Pour votre sécurité personnelle, branchez toujours la machine sur une installation protégée par un disjoncteur, selon les normes établies pour les installations électriques à basse tension.
- Ne pas percer la carcasce de la machine, cela supprimerait l'isolation (utiliser des plaques adhésives).
- Contrôler la zone d'intervention avec un détecteur de métaux ; il est possible en effet que des conducteurs électriques, des tuyaux de gaz et/ou d'eau soient cachés.
- Débranchez toujours la prise avant d'effectuer un travail quelconque sur la machine.
- La machine doit toujours être arrêtée en relâchant l'interrupteur, non en enlevant la prise.
- **AVERTISSEMENT !** Chaque fois que vous utilisez la machine, vérifiez l'état de la prise et du câble. Faites-les remplacer par un spécialiste s'ils sont détériorés.
- Toujours tenir le câble hors du rayon d'action de la machine.

- Brancher la machine sur le secteur seulement avec l'interrupteur en position d'arrêt.
- La machine doit toujours être utilisée avec la poignée auxiliaire montée.
- Toujours tenir la machine fermement des deux mains et en maintenant une position stable.
- Vérifier si la vitesse marquée sur le disque est identique ou supérieure à la vitesse nominale de la ponceuse rotorbitale.
- S'assurer que les dimensions du disque sont compatibles avec la ponceuse rotorbitale.
- Les disques abrasifs doivent être manipulés et rangés avec précaution suivant les instructions du fabricant.
- Protégez l'outil de ponçage contre les coups, les chocs et la graisse.
- Vérifier avec soin le plateau pour s'assurer qu'il n'est pas endommagé ou comporte des fissures avant de l'utiliser.
- Veiller à ce que les disques abrasifs soient montés conformément aux instructions du fabricant.
- Avant d'utiliser la machine, s'assurer que le disque abrasif a été placé et fixé correctement. Mettre la machine en marche à vide pendant 30 secondes dans une position sûre. Si vous décelez une forte vibration ou d'autres défauts, arrêter immédiatement la machine. Cela peut indiquer une installation incorrecte ou un plateau mal équilibré.
- Faire attention aux projections de copeaux. Tenir l'outil de manière que les étincelles ne soient pas projetées dans votre direction ou en direction d'autres personnes ni vers des matériaux inflammables.
- Pour les travaux sur pierre, utiliser un équipement d'aspiration des poussières et porter un masque anti-poussière.
- Pour un travail efficace, sélectionnez la dimension et le disque abrasif adapté à chaque matériau et à chaque finition de surface.
- Ne pas toucher les outils de ponçage pendant la rotation.
- **ATTENTION !** La machine tourne encore quelques instant après déconnexion de l'appareil.
- Lors de l'utilisation de la machine, porter toujours des lunettes de protection et un casque antibruit. D'autres équipements de protection personnelle, tels que : masque anti-poussière, gants, casque et tablier, peuvent être utilisés si nécessaire ; il est également recommandé de porter des chaussures de sécurité antidérapantes. Le cas échéant, utilisez un masque de protection contre la poussière en raison de la nocivité des poussières du matériau poncé, de la peinture et de tout autre revêtement de surface. En cas de doute, nous conseillons d'utiliser l'équipement de protection.

• Lorsque vous travaillez dans une atmosphère poussiéreuse, assurez-vous que les ouïes de ventilation de la machine sont toujours dégagées. Si vous devez nettoyer la poussière, mettez tout d'abord la machine hors tension. Ne pas utiliser d'objets métalliques et éviter d'endommager les parties internes.

• **AVERTISSEMENT !** Des poussières générées par le ponçage, le sciage, le meulage et le perçage mécaniques et de toutes autres activités de construction contiennent des agents chimiques susceptibles de provoquer des cancers, des défauts de naissance ou tout autre dommage à l'appareil reproducteur. Exemples de ces agents chimiques : plomb de peintures au plomb, silice cristalline des briques, ciment et autres produits de maçonnerie, arsenic et chrome du bois traité chimiquement. Le risque lié à ces expositions varie selon la fréquence du travail. Pour réduire l'exposition à ces agents chimiques : travaillez dans un environnement correctement ventilé et portez un équipement de sécurité comme des masques anti-poussière spécialement conçus pour empêcher toute respiration de particules microscopiques.

• **AVERTISSEMENT !** Les enfants ou les femmes enceintes devront veiller à ne pas s'exposer à proximité des travaux de ponçage de peinture cérusées. Le risque est pour eux déçué.

• **L'outil ne doit servir qu'à poncer à sec.** L'entrée d'eau dans l'outil peut entraîner un risque d'électrocution élevé.

DESCRIPTION

Les ponceuses roto-orbitales ont une semelle circulaire qui effectue des petits mouvements circulaires très rapides. Le résultat obtenu est un ponçage fin et très régulier. La majorité des appareils sont équipés d'une semelle perforée permettant d'aspirer la poussière, si bien sûr vous utilisez du papier abrasif perforé.

AVERTISSEMENT ! Tout autre usage est déconseillé.

Utiliser uniquement cette ponceuse pour les travaux suivants :

1. Fini des surfaces en bois, matériel synthétique, métal et surfaces peintes.
2. Désoxydation et finitions de surfaces métalliques.

AVANT DE SE SERVIR DE CET OUTIL

Avant de se servir de cet outil, s'assurer que la tension du secteur est correcte : La tension indiquée sur la plaque signalétique doit coïncider avec la tension du secteur. Les appareils à 230 V peuvent également être branchés sur du 220 V.

MONTAGE DES DISPOSITIFS DE SÉCURITÉ

AVERTISSEMENT ! Avant toute intervention sur la machine, débranchez toujours la prise.

Pour un meilleur contrôle de la machine et une plus grande sécurité lors de son utilisation, il est obligatoire de se servir de la poignée auxiliaire.

MONTAGE DES ACCESSOIRES

AVERTISSEMENT ! Pour des raisons de sécurité, il faudra déconnecter la machine du réseau avant de procéder au changement du plateau. Mettez toujours des lunettes de sécurité.

Si un plateau est endommagé, le remplacer immédiatement.

AVERTISSEMENT ! Ne jamais utiliser le bouton de verrouillage lorsque la machine est en marche. Avant d'appuyer sur le bouton de verrouillage, l'arbre doit être complètement arrêté.

Pour remplacer le plateau velcro, procéder de la manière suivante :

1. Bloquer la broche (axe) en appuyant sur le bouton de blocage **C** et dévisser le plateau avec une main. Pour monter le plateau, suivre la procédure inverse.
2. Une fois l'opération de montage terminée, vérifier que le bouton de verrouillage a repris sa position initiale grâce au ressort de rappel.

MONTAGE DES PAPIERS ABRASIFS

AVERTISSEMENT ! Avant toute intervention sur la machine, débranchez la prise du réseau.

Choisir tout d'abord le papier abrasif avec un grain adapté à la surface à poncer.

Ces ponceuses disposent d'un système de fixation de papier à poncer avec velcro, fixé directement au plateau. Pour assurer une aspiration de poussière optimum, les orifices de la feuille à poncer doivent coïncider avec les orifices du plateau.

MISE EN MARCHÉ DE L'OUTIL

AVERTISSEMENT ! Vérifier que la tension du secteur est conforme à celle de la plaque signalétique de la machine.

Brancher la machine sur le secteur avec l'interrupteur déconnecté.

La machine se met en marche en déplaçant l'interrupteur de commande **A** vers la position "on". Pour l'arrêter, agir en sens inverse.

Electronique constante et réglage de la vitesse

Le variateur électronique de vitesse permet de régler la vitesse sur différentes positions selon une fourchette de réglage allant de 1 à 6. Sélectionnez la vitesse appropriée selon la finition et la pièce de travail à poncer.

PRÉCAUTION : Le variateur de vitesse peut aller seulement jusqu'à 6 et revenir à 1. Ne le forcez pas au-delà de 6 ou de 1 sinon il pourrait s'abîmer et cesser de fonctionner.

INDICATIONS POUR LE TRAVAIL

N'utilisez pas la ponceuse sans le disque abrasif monté.

Déplacez la ponceuse sur toute la surface à poncer. La pression de travail est assurée par le propre poids de la machine. Une pression plus importante est néfaste au travail irrégularité de finition et usure prématurée du papier abrasif.

Mettez toujours la ponceuse en marche avant de la mettre en contact avec la pièce à travailler. N'arrêtez jamais la ponceuse lorsqu'elle se trouve sur la pièce à poncer. Soulevez la ponceuse et arrêtez-la ensuite.

N'utilisez pas la ponceuse sans l'équiper de papier abrasif, au risque d'endommager le plateau Néoprène. Prenez toujours bien soin de ne pas obstruer les ouïes de ventilation avec votre main et veillez à ce que ni eau ni huile n'entre dans le moteur de l'appareil.

Attention : évitez tout contact du disque rotatif avec des chants pointus, des vis, des clous etc., ces derniers pouvant l'endommager.

Ne jamais forcer l'outil. Une pression excessive peut causer des empêtrements, des surchauffes du moteur, des brûlures des pièces de travail et des contrecoups.

Utilisez des disques abrasifs appropriés à la surface à poncer/polir et selon les résultats souhaités.

PRÉCAUTION : Pendant le ponçage/polissage, il est nécessaire de toujours maintenir le câble en arrière pour lui éviter d'être pris par l'appareil.

ASPIRATION DE LA POUSSIÈRE

AVERTISSEMENT ! Toujours s'assurer que la machine est hors tension et débranchée avant d'installer ou d'extraire le dispositif d'aspiration de la poussière.

L'aspiration de la poussière permet de réduire la saleté du poste de travail, évite la forte concentration de poussière dans l'air et facilite l'élimination des déchets.

Ces ponceuses sont équipées d'une sortie d'aspiration de la poussière sur laquelle peut être adapté un aspirateur universel ou tout autre dispositif d'aspiration de poussière.

PRÉCAUTION : Utilisez toujours un extracteur d'aspiration fabriqué conformément aux normes en vigueur en matière d'émission de poussière.

Les tubes flexibles d'aspiration des aspirateurs les plus courants s'ajustent directement sur la bouche d'extraction de poussière.

L'aspirateur doit être adapté au matériel à travailler.

En cas d'extraction de poussière sèche nocive pour la santé ou même cancérigène, vous devez utiliser un aspirateur spécial.

ACCESSOIRES

Les accessoires et leurs références sont répertoriées dans nos catalogues.

ENTRETIEN ET NETTOYAGE

AVERTISSEMENT ! Avant toute intervention sur la machine, débranchez toujours la prise.

- **Examen de l'outil** : L'utilisation d'un outil de ponçage ou de polissage usé diminuera l'efficacité du travail.
- **Examen des vis de montage** : Examiner régulièrement toutes les vis de montage et vérifier qu'elles sont bien serrées. Si une vis est desserrée, la resserrer immédiatement. Ne pas le faire pourrait être extrêmement préjudiciable.
- **Entretien du moteur** : Apporter le plus grand soin à l'entretien du moteur et s'assurer que son bobinage n'est pas endommagé et/ou humidifié avec de l'huile ou de l'eau.
- Maintenez toujours les ouïes de ventilation dégagées et propres.
- Nettoyer soigneusement la machine après utilisation. Nettoyer régulièrement le moteur à l'air comprimé.
- Vérifier que le câble et la prise de courant sont en bon état. Dans le cas contraire, les faire remplacer dans un centre d'assistance technique.
- **Remplacement des charbons** : Les balais doivent être changés toutes les 150-200 heures de service ou si leur longueur est inférieure à 10 mm. Le changement devra être effectué par un centre d'assistance agréé. Tous les deux changements de

charbons, nous vous recommandons de confier la machine à l'un de nos Services d'Assistance Technique qui effectuera une révision sous forme de nettoyage et de graissage général.

- Utiliser uniquement des accessoires et des pièces de rechange **Felisatti**. Les pièces détachées hors accessoires doivent être remplacées dans un centre d'assistance technique **Felisatti** (Consultez l'imprimé Garantie/Adresses des Centres Agréés S.A.V.).



Ne pas jeter les outils électriques dans les ordures ménagères !

Conformément à la directive européenne 2002/96/CE relative aux appareils électriques et électroniques usagés et sa version nationale, les outils électriques doivent être collectés séparément et recyclés de manière écologique.

GARANTIE

Consulter les conditions générales de Garantie sur l'imprimé joint à ces instructions.

MESURES DU NIVEAU DE BRUIT ET DE VIBRATION

L'outil a été conçu et construit avec objectif de réduire le niveau de bruit au maximum. Malgré cela, **dans certaines conditions, le niveau de bruit maximal sur le lieu de travail peut être supérieur à 85 dBA. Dans ce cas, l'opérateur doit se protéger du bruit excessif en utilisant un casque de protection antibruit.**

Les niveaux de bruit et de vibration de la machine, mesurés selon la norme EN60745-1, s'élèvent normalement à :

Niveau de pression acoustique = 82 dB(A)

Niveau de puissance acoustique = 92 dB(A)

Utiliser des protecteurs auditifs !

Accélération de vibration = 7,5 m/s²



DÉCLARATION DE CONFORMITÉ

Nous déclarons sous notre seule responsabilité que les produits **FELISATTI** (RGF150/600E) décrits dans ce manuel sont conformes aux normes ou documents suivants : EN60745-1:2008, EN55014-1:2006+A1, EN55014-2:1997+A1+A2, EN61000-3-2:2006+A1+A2 et EN61000-3-3:2008 en accord avec les directives 2006/42/CEE, 2006/95/CEE, 2004/108/CEE et 2002/95/CEE.



Francisco Ruiz
Dir. Usine

CARATTERISTICHE TECNICHE

Levigatrice rotorbitale	RGF150/600E	
Potenza nominale	W	600
Velocità a vuoto	rpm	2500-6500
Orbite al minuto	opm	5000-13000
Diametro max. piatto di velcro	mm	150
Circolo di oscillazione	mm	5
Peso appross. (senza accessori)	Kg	2,4

Rispettare scrupolosamente le istruzioni contenute in questo manuale, leggerlo attentamente e tenerlo a portata di mano per eventuali controlli delle parti indicate.

Se la macchina viene utilizzata con attenzione e si esegue la normale manutenzione, il suo funzionamento sarà prolungato nel tempo.

Le funzioni e gli usi dell'utensile che avete comprato sono unicamente quelli indicati in questo manuale. **È assolutamente proibito ogni altro uso dell'utensile.**

ILLUSTRAZIONI

DESCRIZIONE (Vedere figure indicate)

- A Interruttore di comando (Fig.1)
- B Impugnatura supplementare (Fig.1)
- C Pulsante di bloccaggio del mandrino (Fig.2)
- D Platorello attacco velcro (Fig.1)
- E Controllo di regolazione elettronica (Fig.1)
- F Uscita polvere (Fig.2)

MATERIALE IN DOTAZIONE

- Manuale di istruzioni
- Norme di sicurezza
- Documento di garanzia

NORME DI SICUREZZA

- Vedere il manuale allegato “ **Istruzioni di Sicurezza** ” fornito insieme al presente manuale di istruzioni.
- **ATTENZIONE!** Non si deve pulire il materiale che contiene amianto. Lavorando con materiali che contengono amianto/asbesto e/o pietra di silice, si produce una polvere dannosa per la salute. Proteggersi dall'inalazione di tale polvere rispettando le norme di antinfortunistica.
- La macchina va collegata, per la vostra sicurezza personale, solo a reti elettriche dotate di salvavita e di disgiuntore termico ai sensi delle norme vigenti per gli impianti elettrici a bassa tensione.
- Non forate la carcassa della macchina, altrimenti danneggerete l'isolamento di protezione (usare etichette adesive).
- Controllare la superficie di lavoro con un rivelatore di metalli, poiché possono esservi fili elettrici o tubi del gas e/o idraulici occulti.
- Staccare sempre la spina dalla presa prima di eseguire qualsiasi intervento sulla macchina.
- Spegnerla la macchina sempre per mezzo dell'interruttore, non staccando la spina.
- **ATTENZIONE!** Prima di ogni utilizzo, controllate le condizioni della spina e del cavo di alimentazione della vostra macchina utensile. Se sono deteriorati, fateli sostituire presso un centro di assistenza tecnica autorizzato.

- Tenere sempre il cavo di alimentazione lontano dal raggio d'azione della macchina.
- Collegare la macchina alla rete elettrica solo con l'interruttore in OFF.
- La macchina deve essere sempre adoperata con l'impugnatura supplementare montata.
- Sostenere saldamente la macchina con entrambe le mani e mantenendosi in posizione stabile.
- Verificare che la velocità indicata nel disco sia uguale o superiore alla velocità nominale della levigatrice rotorbitale.
- Assicurarsi che le dimensioni del disco siano compatibili con la levigatrice rotorbitale.
- I dischi abrasivi devono essere adoperati e conservati con cura, rispettando le istruzioni della fabbrica.
- Proteggere l'utensile da pulire e/o allisciare contro colpi, scontri e grasso.
- Verificare attentamente il piatto per assicurarsi che non è danneggiato e non abbia fessure prima di utilizzarlo.
- Assicurarsi che i dischi abrasivi si montano d'accordo con le istruzioni del fabbricante.
- Accertarsi che il prodotto abrasivo sia stato montato e fissato bene prima di usare la macchina. Mettere in moto la macchina e farla girare a vuoto per 30 secondi in una posizione sicura; se si notano vibrazioni notevoli o altre anomalie, spegnerla immediatamente. Questo indica un'installazione errata o un piatto non equilibrato correttamente.
- Fare attenzione agli sfridi che possono saltare via. Tenere l'attrezzo in modo che le scintille vadano lontano da voi e da altre persone o da materiali infiammabili.
- Lavorando su pietra, usare un aspiratore per la polvere e indossare una maschera antipolvere.
- Per ottenere una resa efficace del lavoro, occorre selezionare, in base al materiale e alla finitura di superficie, le dimensioni e l'abrasivo adeguato.
- Non toccare gli utensili da pulire in rotazione.
- **ATTENZIONE!** La macchina si mantiene un tempo in rotazione dopo lo spegnimento dell'apparecchio.
- Quando si lavora con la macchina, è indispensabile utilizzare sempre occhiali di protezione e protezioni per l'udito. Se necessario possono essere impiegati anche altri mezzi di protezione personale, come una mascherina antipolvere, guanti da lavoro, casco e grembiule; è raccomandabile usare anche calzature di sicurezza antiscivolo. Quando si consideri la necessità di usare una maschera di protezione contro la polvere, è per le proprietà nocive sia della polvere del materiale pulito come della pittura o altro rivestimento della superficie. In caso di dubbio, si consiglia di usare la protezione.
- Accertarsi che le aperture di ventilazione siano sempre libere quando si lavora con produzione di polvere. Se è necessario pulire la polvere, spegnere prima la

macchina, non utilizzare oggetti metallici ed evitare di danneggiare le parti interne.

- **AVVERTENZA:** La polvere generata dalla levigatura, pulizia, segatura, molatura e forature meccaniche, o da altre attività di costruzione, contengono agenti chimici che causano forme tumorali, malformazioni alla nascita o altri danni sulla riproduzione. Alcuni esempi di questi agenti chimici sono: il piombo delle vernici a base di piombo, silice cristallina dei laterizi e cemento ed altri prodotti per muratura, arsenico e cromo in legno trattato chimicamente. Il suo rischio a causa di queste esposizioni varia, dipendendo dalla frequenza con il quale si realizza questo tipo di lavoro. Per ridurre la sua esposizione a questi agenti chimici: lavori in un'area ben ventilata e con apparecchiature di sicurezza omologate, come per esempio maschere antipolvere che sono disegnate specialmente per impedire mediante filtraggio il passaggio di particelle microscopiche.
- **AVVERTENZA!** I bambini e le donne in stato di gravidanza non dovranno mai entrare nei locali in cui si sta carteggiando su vernice finché non saranno terminate tutte le operazioni di pulizia. Il pericolo di intossicazione da piombo è più grave per i bambini e le gestanti.
- **Utilizzare l'attrezzatura solamente per levigare a secco.** L'entrata d'acqua nell'utensile comporta un maggior rischio di folgorazione.

DESCRIZIONE ABBREVIATA

Le smerigliatrici roto orbitali sono provviste di un platello circolare che realizza piccoli movimenti circolari molto veloci. Il risultato è una smerigliatura molto regolare, senza graffi. Nella maggior parte dei casi gli apparecchi hanno una piastra forata, attraverso la quale viene aspirata la polvere, ovviamente solo se si usa carta abrasiva perforata. Servono per ottenere una rifinitura fine.

AVVERTENZA! Non sono autorizzati usi diversi da quello indicato.

Usare soltanto per le seguenti operazioni:

1. Rifiniture delle superfici di legno, materiale sintetico, metallo e superfici verniciate.
2. Eliminazione della ruggine dalle superfici in acciaio e rifinitura delle stesse.

PRIMA DI USARE QUESTO UTENSILE

Prima di usare l'utensile, controllare che la tensione della rete sia quella giusta: La tensione riportata nella targhetta delle caratteristiche deve coincidere con la tensione di rete. Gli apparecchi a 230V possono essere collegati anche a una tensione di rete di 220V.

MONTAGGIO DEI DISPOSITIVI DI SICUREZZA

ATTENZIONE! Prima di compiere qualsiasi intervento sulla macchina, staccate sempre la spina dalla presa elettrica.

Per controllare meglio e con maggior sicurezza la macchina durante l'uso, è obbligatorio usare l'impugnatura supplementare.

MONTAGGIO DEGLI ACCESSORI

ATTENZIONE! Per ragioni di sicurezza, scollegare sempre la macchina dalla rete elettrica prima di procedere al cambio del piatto. Fare uso di occhiali di sicurezza.

Sostituire immediatamente un piatto danneggiato.

AVVERTENZA! Non premere mai il pulsante di bloccaggio quando la macchina è in funzione. Prima di

schacciare il pulsante di bloccaggio, attendere che la rotazione dell'alberino sia nulla.

Per cambiare il piatto di pulizia, procedere nel seguente modo:

1. Bloccare l'asta (asse) premendo il pulsante di blocco **C** e con una mano svitare il piatto.
Per montare il piatto procedere nel modo contrario.
2. Terminata l'operazione di montaggio, controllare che il pulsante di bloccaggio sia ritornato nella posizione iniziale per effetto della molla incorporata.

MONTAGGIO DEI FOGLI ABRASIVI

AVVERTENZA: Prima di eseguire qualsiasi intervento sulla macchina, staccare la spina dalla presa di corrente. Selezionare prima dell'uso una carta abrasiva della grana appropriata per la superficie da carteggiare.

Queste levigatrici dispongono di un sistema di fissaggio per la carta con velcro, che rimane fissato direttamente nel piatto. Per assicurare un'aspirazione ottima della polvere i fori del foglio di levigazione devono coincidere con i fori del piatto.

ATTIVAZIONE DELL'UTENSILE

ATTENZIONE! Verificare che la tensione di rete coincida con quella indicata nelle caratteristiche della macchina.

Collegare la macchina a rete con l'interruttore disinserito.

La macchina si accende spostando l'interruttore di comando **A** verso la posizione ("ON"). Per spegnerla, muoverlo in senso contrario.

Electronica costante e regolazione della velocità

Il modulo incorporato permette di eseguire un avviamento graduale e di mantenere la velocità nominale praticamente costante fino alla potenza nominale.

Il regolatore elettronico di velocità permette di regolare la velocità in diverse posizioni in un numero di regolazioni dal 1 al 6. Selezionare la velocità appropriata a seconda della rifinitura e del pezzo del che si desidera pulire.

PRECAUZIONE: Il regolatore della velocità può girarsi solamente fino al numero 6 e ritornare al numero 1. Non lo forzi al di là del 6 o dell'1, in quanto è possibile causare danni al funzionamento.

COME SMERIGLIARE

Non usare la levigatrice senza il disco abrasivo montato.

Muovere la levigatrice lungo l'intera superficie di lavoro. Il peso dell'apparecchio è sufficiente per esercitare la pressione corretta. Una pressione più forte ritarderebbe l'azione di levigatura e la rifinitura risulterebbe irregolare; inoltre l'usura dell'apparecchio e del foglio abrasivo sarebbe eccessiva. Non bisogna lasciare la levigatrice in moto sulla superficie di lavoro senza impugnarla: eliminerebbe troppo materiale.

Avviare sempre la levigatrice prima di poggiarla sulla superficie di lavoro. Non bisogna mai spegnerla mentre si trova sulla superficie di lavoro. Prima di spegnerla è necessario sollevarla.

Non usare la levigatrice senza foglio abrasivo, perché il tampono della piastra riporterebbe seri danni. Prestare attenzione a non tappare con la mano i fori di ventilazione e fare in modo che nell'apparecchio non entrino mai né acqua né olio.

Attenzione: non permettere che il disco rotante tocchi spigoli appuntiti, viti, chiodi, ecc. in quanto si potrebbe danneggiare.

Non forzare mai l'apparecchio. La pressione eccessiva può causare ostruzioni, surriscaldamenti del motore, bruciature dei pezzi di lavoro e colpi.

Utilizzare dischi abrasivi appropriati secondo la superficie da pulire/allisciare a seconda dei risultati desiderati.

PRECAUZIONE: Durante la pulizia/allisciatura è necessario mantenere sempre il cavo verso la parte posteriore per evitare che si possa entrare in contatto con la macchina.

ASPIRAZIONE DELLA POLVERE

AVVERTENZA! Controllare sempre che l'utensile sia spento e disinserito dalla rete prima di montare o di smontare qualsiasi dispositivo di aspirazione della polvere.

L'aspirazione della polvere riduce la presenza di sporcizia nel locale di lavoro, evita le elevate concentrazioni di polvere nell'aria che si respira e agevola la rimozione dei residui.

Queste levigatrici sono provviste di un'uscita per l'aspirazione della polvere a cui si potrà adattare un aspiratore universale o qualsiasi altro dispositivo di aspirazione della polvere.

PRECAUZIONE: Utilizzare sempre un estrattore di aspirazione disegnato secondo le direttrici applicabili in materia di emissione della polvere.

I tubi flessibili di aspirazione degli aspiratori più comuni si possono collegare direttamente all'apertura di fuoriuscita della polvere.

L'aspiratore deve essere adatto al materiale su cui lavorare.

Nel caso di estrazione di polvere secca, nociva alla salute o addirittura cancerogena, occorre usare un aspiratore speciale.

ACCESSORI

Gli accessori e i relativi numeri di codice per le ordinazioni sono riportati nei nostri cataloghi.

CURA E MANUTENZIONE

AVVERTENZA! Prima di compiere qualsiasi intervento sulla macchina, staccate sempre la spina dalla presa elettrica.

- **Ispezione dell'attrezzo:** L'uso di un utensile da pulire o allisciare consumato diminuirà l'efficacia del lavoro.

- **Ispezionare le viti di assemblaggio:** Ispezionare regolarmente tutte le viti di assemblaggio e verificare che siano ben serrate. Se una vite dovesse allentarsi, serrarla immediatamente. In caso contrario si possono correre seri pericoli.

- **Manutenzione del motore:** Dedicarvi la massima cura e accertarsi che l'avvolgimento del motore non si guasti e/o non si bagni d'olio o d'acqua.

- Mantenere sempre le aperture di ventilazione libere e pulite.

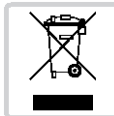
- Pulire accuratamente la macchina dopo l'uso. Soffiare con aria compressa sul motore a intervalli regolari.

- Verificare che il cavo di alimentazione sia in buone condizioni; in caso contrario, farlo sostituire presso un centro di assistenza tecnica autorizzato.

- **Sostituzione delle spazzole:** Le spazzole devono essere sostituite dopo circa 150-200 ore circa di funzionamento, oppure quando la loro lunghezza è inferiore a 10 mm. Per sostituirle rivolgersi a un centro di assistenza tecnica autorizzato. Ogni due

sostituzioni delle spazzole, raccomandiamo di portare la macchina a uno dei nostri servizi di assistenza tecnica per una revisione comprendente la pulizia e la lubrificazione generale.

- Usare solo accessori e ricambi originali **Felisatti**. Per quanto riguarda i pezzi la cui sostituzione non è descritta in queste istruzioni per l'uso, farli sostituire presso un centro di assistenza tecnica autorizzato **Felisatti** (vedere il foglietto Garanzia / Indirizzi dei Centri di assistenza tecnica).



Non introdurre attrezzi elettrici nei rifiuti di casa!

Secondo la normativa europea 2002/96/CE in riferimento agli apparecchi elettrici ed elettronici e le leggi nazionali, gli apparecchi elettrici usurati devono essere raccolti separatamente e portati al riciclaggio, rispettando le norme ambientali.

GARANZIA

Vedere le condizioni generali di validità della garanzia riportate sul foglietto allegato a queste istruzioni.

VALORI RELATIVI AI RUMORI E ALLE VIBRAZIONI

L'utensile è stato progettato e costruito per ridurre al minimo i rumori; ciononostante, **in condizioni particolari il livello massimo di rumore nel locale di lavoro potrebbe essere superiore a 85 dB(A). In questo caso l'operatore deve proteggersi dal rumore eccessivo con l'impiego di protezioni per l'udito.**

I livelli di rumore e di vibrazione della macchina, misurati secondo la norma EN60745-1, giungono normalmente a:

Livello di pressione acustica = 82 dB(A)

Livello di potenza acustica = 92 dB(A)

Usare protezioni per l'udito!

Accelerazione di vibrazione = 7,5 m/s²



DICHIARAZIONE DI CONFORMITÀ

Dichiariamo sotto la nostra esclusiva responsabilità che i prodotti marca **FELISATTI** RGF150/600E descritti in questo manuale sono conformi ai requisiti delle norme o dei documenti standardizzati seguenti: EN60745-1:2008, EN55014-1:2006+A1, EN55014-2:1997+A1+A2, EN61000-3-2:2006+A1+A2 e EN61000-3-3:2008, ai sensi delle direttive 2006/42/CEE, 2006/95/CEE, 2004/108/CEE e 2002/95/CEE.



Francisco Ruiz
Dir. Fabbrica

TECHNISCHE DATEN

Exzenterschleifer	RGF150/600E	
Nutzleistung	W	600
Leerlaufgeschwindigkeit	rpm	2500-6500
Bewegungen pro Minute	bpm	5000-13000
Max. Durchmesser Kletteller	mm	150
Schwingkreis	mm	5
Gewicht ca. (ohne Zubehör)	Kg	2,4

Die in diesem Handbuch enthaltenen Anweisungen und Sicherheitsvorschriften sind genau zu befolgen. Lesen Sie diese aufmerksam und zum Zwecke von möglichen Überprüfungen der Bauteile sollten sie stets mitgeführt werden.

Durch bestimmungsgemäße Verwendung und Beachtung der entsprechenden Wartungshinweise, kann die Lebensdauer der Maschine wesentlich verlängert werden.

Dieses Werkzeug ist nur für den in dieser Anleitung beschriebenen Gebrauch vorgesehen. **Jeglicher andere Gebrauch der Maschine ist untersagt!**

ABBILDUNGEN

BESCHREIBUNG (Siehe erwähnte Abbildungen)

- A Betriebsschalter (Abb. 1)
- B Zusatzhandgriff (Abb. 1)
- C Sperrtaste der Spindel (Abb. 2)
- D Schleifteller mit Klettverschluss (Abb. 1)
- E Steuerung elektronische Geschwindigkeitsregulierung (Abb. 1)
- F Staubabführung (Abb. 2)

MITGELIEFERTES MASCHINENZUBEHÖR

- Bedienungsanleitung
- Sicherheitshinweise
- Garantiekarte

SICHERHEITSHINWEISE

- Siehe die entsprechenden "**Sicherheitsanweisungen**", die zusammen mit der vorliegenden Betriebsanleitung geliefert werden.
- **VORSICHT!** Es dürfen keine asbesthaltigen Materialien poliert oder geschliffen werden.. Beim Arbeiten mit asbesthaltigen Werkstoffen oder Kieselsteinen wird gesundheitsschädlicher Staub erzeugt. Schützen Sie sich gemäß der Unfallverhütungsvorschriften vor dem Einatmen dieses Staubs.
- Schließen Sie das Werkzeug zu Ihrem Schutz und gemäß der Vorschriften für Niederspannungseinrichtungen immer an ein durch Fehlerstromschutzschalter und Überlastschalter geschütztes Netz an.
- Gehäuse der Maschine nicht anbohren, da die Schutzisolierung unterbrochen wird (Aufkleber verwenden).
- Den Arbeitsbereich mit einem Metalldetektor überprüfen, da sich dort versteckte elektrische Leitungen, Gasleitungen und/oder Wasserleitungen befinden könnten.
- Vor allen Arbeiten an der Maschine Stecker aus der Steckdose ziehen.
- Die Maschine muß immer mit dem Schalter ausgeschaltet werden. Dazu nicht den Netzstecker verwenden.
- **VORSICHT!** Prüfen Sie vor jedem Einsatz der Maschine den korrekten Zustand des Steckers und des Kabels. Sollte deren Zustand nicht korrekt sein, lassen Sie sie durch einen Fachmann ersetzen.
- Halten Sie das Kabel immer fern vom Arbeitsbereich der Maschine.
- Die Maschine nur ausgeschaltet an den Netzstrom anschließen.
- Die Maschine muß immer mit montiertem Zusatzgriff benutzt werden.
- Die Maschine immer fest mit beiden Händen und bei sicherem Stand halten.
- Prüfen Sie, ob die auf der Schleifscheibe angegebene Geschwindigkeit gleich oder höher als die Nenngeschwindigkeit des Exzenterschleifers ist
- Es ist sicherzustellen, dass die Scheibenabmessungen mit dem Exzenterschleifer kompatibel sind
- Die Schleifscheiben müssen entsprechend der Anweisungen des Herstellers behandelt und aufbewahrt werden.
- Die Schleif- und Poliermaschine vor Schlägen, Stößen und Fett schützen.
- Überprüfen Sie vor Arbeitsbeginn sorgfältig, dass der Schleifteller nicht beschädigt ist und keine Risse aufweist.
- Es ist darauf zu achten, dass die Schleifscheiben gemäß den Anweisungen des Herstellers montiert werden.
- Achten Sie vor Benutzung der Maschine darauf, daß das Schleifmittel korrekt montiert und befestigt worden ist. Die Maschine zunächst 30 Sekunden im Leerlauf laufen lassen. Werden dabei übermäßige Vibrationen oder andere Störungen festgestellt, die Maschine sofort abschalten. Dies kann auf eine mögliche falsche Montage oder einen schlecht ausgewuchteten Schleifteller hindeuten.
- Vorsicht mit abspringenden Spänen. Das Werkzeug so halten, daß die Späne in eine Richtung abgehen, wo sich weder Sie noch andere Personen aufhalten, und sich auch keine entzündlichen Werkstoffe befinden.
- Benutzen Sie bei der Bearbeitung von Steinen eine Staubabsauganlage und tragen Sie eine Staubschutzmaske.
- Um ein effektives Arbeiten zu gewährleisten, sind je nach Material und Oberflächenabschluss die entsprechende Größe und das geeignete Schleifmaterial zu verwenden.
- Berühren sie nicht sich drehende Schleifwerkzeuge.

• **VORSICHT!** Die Schleifmaschine dreht nach dem Abschalten des Geräts noch einige Zeit nach.

• Tragen Sie beim Arbeiten mit der Maschine immer ein Schutzbrille und einen Gehörschutz. Andere Personenschutzvorrichtungen wie Staubschutzmaske, Handschuhe, Helm und Schürze sind je nach Bedarf zu benutzen. Ebenso wird das Tragen von rutschsicheren Sicherheitsschuhen empfohlen. Die Notwendigkeit zum Tragen einer Staubschutzmaske ergibt sich aus den giftigen Eigenschaften des Staubs des abgeschliffenen Materials selbst und der Farbe oder anderen Oberflächenbeschichtung des Materials.. Im Zweifelsfall sollte immer die Schutzausrüstung getragen werden.

• Vergewissern Sie sich, daß die Belüftungsöffnungen beim Arbeiten mit Stauberzeugung immer geöffnet sind. Muß der Staub entfernt werden, zuerst die Maschine abschalten. Keine metallischen Gegenstände verwenden, und darauf achten, daß die Elemente im Innern nicht beschädigt werden.

• **WARNHINWEIS:** Gewisser Staub der bei mechanischen Vorgängen wie Schleifen, Polieren, Sägen, Mahlen und Bohren sowie durch andere Bautätigkeiten entsteht, enthält chemische Stoffe die Krebs, Geburtsfehler und andere Fortpflanzungsschäden verursachen. Einige Beispiele dieser chemischen Stoffe sind: Bleifarben auf Bleibasis, Kieselerdekristalle aus Steinen, Zement und anderen Mauerwerksstoffen, Arsen und Chrom aus chemisch behandelten Holz. Das gesundheitliche Risiko aufgrund dieser Gefährdungen hängt von der Häufigkeit dieser Art von Arbeit ab. Um den Kontakt mit diesen chemischen Stoffen zu verringern: Arbeiten Sie in gut gelüfteten Räumen und mit geprüften Arbeitsschutzmitteln, wie zum Beispiel spezielle Staubschutzmasken, die durch ihre Filter das Einatmen von mikroskopischen Partikeln verhindern.

• **WARNHINWEIS!** Kinder und Schwangere dürfen Arbeitsbereiche, in denen Farbe geschliffen wird, erst betreten, nachdem eine vollständige Reinigung durchgeführt wurde. Die Vergiftungsgefahr durch Blei ist bei Kindern und schwangeren Frauen größer.

• **Setzen Sie das Werkzeug nur für Trockenschliffarbeiten ein.** Der Wassereintritt in das Werkzeug bedeutet eine größere Stromschlaggefahr.

KURZBESCHREIBUNG

Exzenterschleifer besitzen eine runde Schwungplatte, die kleine und sehr schnelle Kreisbewegungen durchführt, ohne sich zu drehen. Dadurch erhält man einen sehr regelmäßigen Schliff ohne Kratzer. Die meisten Geräte verfügen über eine perforierte Auflage, über die der Staub abgeleitet wird; dies ist natürlich nur der Fall, wenn auch perforiertes Schleifpapier verwendet wird. Deltaschleifer werden für eine glatte Oberflächenverarbeitung verwendet.

WARNHINWEIS! Jeder andere Gebrauch bei anderen Werkstoffen ist nicht gestattet.

Maschine nur für folgende Arbeiten einsetzen:

1. Zur Bearbeitung von Oberflächen aus Holz, Kunststoff, Metall sowie von Flächen mit Farbgebung.
2. Entrosten und Bearbeiten von Metalloberflächen.

VOR DER BENUTZUNG DIESES WERKZEUGES

Vergewissern Sie sich vor der Benutzung des Werkzeugs, daß die Netzspannung korrekt ist: Die Spannungsangabe auf dem Typenschild muß mit der Netzspannung übereinstimmen. Die Geräte mit 230 V können auch an eine Netzspannung von 220 V angeschlossen werden.

MONTAGE DER SICHERHEITSVORRICHTUNGEN

VORSICHT! Ziehen Sie vor der Durchführung von Arbeiten an der Maschine immer zuerst den Netzstecker aus der Steckdose.

Zur besseren Kontrolle und Sicherheit beim Umgang mit der Maschine ist die Verwendung des Zusatzgriffs obligatorisch.

MONTAGE DER AUFSATZTEILE

VORSICHT! Aus Sicherheitsgründen ist die Maschine vor dem Austausch des Schleiftellers stets abzuschalten und vom Netz zu trennen. Tragen Sie eine Schutzbrille.

Ein beschädigter Schleifteller ist unverzüglich auszutauschen.

WARNHINWEIS! Die Sperrtaste niemals bei laufender Maschine betätigen. Vor Betätigen der Sperrtaste muß die Maschinenwelle völlig stillstehen.

Für den Austausch des Schleiftellers mit Kletthaftung ist wie folgt vorzugehen:

1. Die Spindel (Welle) durch Drücken des Arretierknopfs **C** blockieren und den Schleifteller mit der anderen Hand abschrauben.
Die Montage des Schleiftellers erfolgt in umgekehrter Reihenfolge.
2. Nach der Montage überprüfen, daß die Sperrtaste durch die eingebaute Feder wieder in die Ausgangsstellung zurückgekehrt ist.

EINSETZEN DES SCHLEIFPAPIERS

WARNHINWEIS: Bei jeglichen Arbeiten an der Schleifmaschine ist das Netzkabel vom Stromversorgungsnetz zu trennen.

Zuerst wählen Sie das Schleifpapier mit der geeigneten Körnung für das zu bearbeitende Werkstück aus.

Die Befestigung des Schleifpapiers erfolgt bei diesen Schleifmaschinen per Kletthaftung, wobei das Schleifpapier direkt am Schleifteller haftet. Um eine optimale Staubabsaugung sicherzustellen, müssen die Löcher des Schleifblatts mit den Öffnungen im Schleifteller übereinstimmen.

INBETRIEBNAHME DES WERKZEUGS

WARNHINWEIS! Überprüfen Sie, daß die Versorgungsspannung mit den Maschineneigenschaften übereinstimmt.

Den Netzstecker der Maschine bei abgeschalteter Maschine einstecken.

Die Maschine wird eingeschaltet, indem man den Betriebsschalter **A** auf die Position ("ON") stellt. Zum Abschalten in die entgegengesetzte Richtung betätigen.

Konstantelektronik **und**
Geschwindigkeitsregulierung

Die Maschine verfügt über einen Langsam-Anlauf und die Nenngeschwindigkeit kann bis zur Nennleistung praktisch konstant gehalten werden.

Mit dem elektronischen Geschwindigkeitsregler kann die Laufgeschwindigkeit über die Schalterstellungen 1 bis 6 eingestellt werden. Die geeignete Geschwindigkeit wird in Funktion der Oberfläche und Art des zu schleifenden Werkstückes gewählt.

ACHTUNG: Der Geschwindigkeitsregler kann nur bis zur Schalterstellung 6 und zurück zur Position 1 gedreht werden. Den Schalter nicht über die Position 6 oder 1 drehen, da dies zu einem Defekt oder Ausfall der Maschine führen könnte.

HINWEISE FÜR DIE ARBEIT

Die Schleifmaschine nicht ohne montierte Schleifscheibe in Betrieb nehmen.

Bewegen Sie die Schleifmaschine über die ganze zu bearbeitende Oberfläche. Das Maschinengewicht alleine liefert einen ausreichenden Arbeitsdruck. Ein zusätzliches Andrücken verzögert den Schleifvorgang und bewirkt eine unregelmäßige Bearbeitung; außerdem werden Maschine und Schleifpapier schneller abgenutzt. Lassen Sie die laufende Maschine nicht auf einer einzigen Stelle ruhen, der Abschleiß wird zu groß.

Schalten Sie die Maschine erst ein und bringen Sie sie dann auf das zu bearbeitende Werkstück. Schalten Sie die Schleifmaschine nie aus, während sie sich noch auf dem Werkstück befindet. Heben Sie zuerst die Schleifmaschine an und schalten Sie sie dann aus.

Benutzen Sie die Schleifmaschine nie ohne Schleifpapier, sonst wird die Schleifplatte beschädigt. Bedecken Sie die Kühlöffnungen nicht mit der Hand und achten Sie darauf, daß weder Wasser noch Öl ins Maschineninnere gelangen.

Warnhinweis: Vermeiden Sie den Kontakt der Schleifscheibe mit scharfen Vorsprüngen, Schrauben, Nägeln usw., da sie dadurch beschädigt werden kann.

Wenden sie niemals Gewalt bei dem Werkzeug an. Zur großer Druck kann Stocken, Überhitzung des Motors, Verbrennungen am Werkstück und Rückschläge zur Folge haben.

Benutzen Sie je nach der zu polierenden/schleifenden Oberfläche und den gewünschten Ergebnissen die entsprechenden Schleifscheiben.

ACHTUNG: Während des Schleifens/Polierens ist es notwendig das Kabel immer fern vom Arbeitsbereich zu halten, damit es nicht von der Maschine erfasst werden kann.

ABSAUGEN DES SCHLEIFSTAUBES

WARNHINWEIS! Vergewissern Sie sich vor dem Anbringen und Abnehmen einer Absaugvorrichtung für den Staub immer, dass das Werkzeug abgeschaltet und der Netzstecker abgezogen ist.

Diese Schleifmaschinen verfügen über eine Staubabführung, an die eine Allzweckabsaugung oder ein sonstiges Gerät zur Staubabsaugung angeschlossen werden kann.

ACHTUNG: Verwenden Sie stets ein Absauggerät, das die entsprechenden Richtlinien in Bezug auf Staub- und Spanabsaugung erfüllt.

An die Staubaus-laßöffnung können die Schläuche der meisten Staub-sauger angeschlossen werden.

Das Absauggerät muss für den zu bearbeitenden Werkstoff geeignet sein.

Beim Absaugen von gesundheitsschädlichen oder sogar krebserregenden, trockenen Stäuben ist ein Spezialsauger zu verwenden.

ZUBEHÖR

Das Zubehör und die entsprechenden Bestellnummern finden Sie in unseren Katalogen.

WARTUNG UND PFLEGE

VORSICHT! Ziehen Sie vor der Durchführung von Arbeiten an der Maschine immer zuerst den Netzstecker aus der Steckdose.

- **Prüfung des Werkzeugs:** Die Anwendung eines abgenutzten Schleif- oder Polierwerkzeuges verringert die Wirksamkeit der Arbeit.
- **Überprüfung der Montageschrauben:** Regelmäßig alle Montageschrauben auf ihren festen Sitz überprüfen. Wird eine lose Schraube festgestellt, muß diese sofort wieder angezogen werden. Dies könnte sonst eine ernsthafte Gefahr darstellen.
- **Pflege des Motors:** Besonders beachten und sicherstellen, daß die Spule des Motors nicht beschädigt und/oder mit Öl oder Wasser in Kontakt kommt.
- Die Belüftungsschlitze immer frei und sauber halten.
- Reinigen Sie die Maschine nach der Arbeit mit trockener Druckluft. Den Motor regelmäßig mit Druckluft abblasen.
- Überprüfen Sie den korrekten Zustand des Netzkabels. Sollte dieses beschädigt oder abgenutzt sein, wenden Sie sich zur Durchführung des Austauschs an eine der Kundendienstwerkstätten.
- **Ersatz der Kohlebürsten:** Die Bürsten sollten nach 150-200 Arbeitsstunden oder bei einer Länge von unter 10 mm ersetzt werden. Wenden Sie sich zur Durchführung des Austauschs an einer der Kundendienstwerkstätten. Wir empfehlen, daß die Maschine bei jedem zweiten Austausch der Kohlebürstchen von unserem Kundendienst einer allgemeinen Reinigung und Schmierung unterzogen wird.
- Verwenden Sie nur Originalzubehör und Originalersatzteile von **Felisatti**. Alle Teile, die in der Bedienungsanleitung nicht beschrieben sind, müssen in einer Kundendienstwerkstätte von **Felisatti** ersetzt werden (Siehe Blatt Garantie / Anschriften der Kundendienstwerkstätten).



Werfen Sie Elektrowerkzeuge nicht in den Hausmüll!

Gemäß Europäischer Richtlinie 2002/96/EG über Elektro- und Elektronik-Altgeräte und Umsetzung in nationales Recht müssen verbrauchte Elektrowerkzeuge getrennt gesammelt und einer umweltgerechten Wiederverwertung zugeführt werden.

GARANTIE

Siehe allgemeine Garantiebedingungen, die dieser Betriebsanleitung als Anlage beigelegt werden.

GERÄUSCHUND VIBRATIONSWERTE

Das Werkzeug wurde für eine minimale Geräuschentwicklung konstruiert und gebaut. **Unter besonderen Bedingungen jedoch kann das maximale Geräuschniveau im Arbeitsbereich 85 dBA überschreiten. In diesem Fall muß sich der Benutzer durch einen Gehörschutz schützen.**

Die Schallund Vibrationswerte des Geräts gemäß der Norm EN60745-1 liegen normalerweise bei:

Schalldruck = 82 dB(A)

Lautstärke = 92 dB(A)

Es muß ein Gehörschutz getragen werden!

Vibrationsbeschleunigung = $7,5 \text{ m/s}^2$



KONFORMITÄTSERKLÄRUNG

Wir erklären unter unserer eigenen Verantwortung, daß die in diesem Handbuch beschriebenen Produkte der Marke **FELISATTI** RGF150/600E konform zu folgenden Normen sind: EN60745-1:2008, EN55014-1:2006+A1, EN55014-2:1997+A1+A2, EN61000-3-2:2006+A1+A2 und EN61000-3-3:2008 gemäß den Richtlinien 2006/42/EG, 2006/95/EG, 2004/108/EG und 2002/95/EG.



Francisco Ruiz
Dir. Werk

CARACTERÍSTICAS TÉCNICAS

Lixadora rotorbital		RGF150/600E
Potência absorvida	W	1010
Velocidade em vazio	rpm	800-1800
Órbitas por minuto	opm	5000-13000
Diâmetro máx. prato de velcro	mm	150
Círculo de oscilação	mm	5
Peso aprox. (sem acessórios)	Kg	2,4

Respeite escrupulosamente as instruções contidas neste manual, conserve-o e tenha-o sempre à mão para possível verificação dos componentes se tal for necessário.

Utilizando a máquina com cuidado e cumprindo a manutenção normal, o seu funcionamento será prolongado.

As funções e a utilização da ferramenta que você comprou são só e exclusivamente as indicadas neste manual. **É totalmente proibida qualquer outra utilização da ferramenta.**

FIGURAS

DESCRIÇÃO (Ver figuras indicadas)

- A Interruptor (Fig.1)
- B Punho auxiliar (Fig.1)
- C Botão de bloqueio do veio (Fig.2)
- D Prato velcro (Fig.1)
- E Controle de regulação electrónica (Fig.1)
- F Saída do pó (Fig.2)

EQUIPAMENTO DA MÁQUINA

- Manual de instruções de funcionamento
- Instruções de segurança
- Documento de garantia

INSTRUÇÕES DE SEGURANÇA

- Ver o manual anexo “**Instruções de Segurança**” que é fornecido conjuntamente com este manual de instruções.
- **ATENÇÃO!** Não se deve polir material que contenha amianto. Ao trabalhar com materiais de amianto/asbesto e/ou pedras de silício, a poeira que se produz é prejudicial para a sua saúde. Proteja-se da inalação dessa poeira conforme normas de prevenção de acidentes.
- Ligue sempre a máquina a uma rede protegida por interruptor diferencial e magnetotérmico, para a sua segurança pessoal, segundo normas estabelecidas para instalações eléctricas de baixa tensão.
- Não perfurar a carcaça da máquina, já que se rompe o isolamento de protecção (utilize rótulos autocolantes).
- Controle a área de trabalho com um detector de metais já que pode haver condutores eléctricos, condutas de gás e/ou água ocultas.
- Desligue sempre a tomada antes de realizar qualquer trabalho na máquina.
- Para desligar a máquina deve utilizar sempre o interruptor, e nunca desligando a ficha da tomada.
- **ATENÇÃO!** Cada vez que precisar de utilizar a máquina verifique o estado da ficha e do cabo. Caso estejam estragados, substitua-os num centro técnico oficial.
- Mantenha sempre o cabo afastado do raio de acção da máquina.
- Ligue a máquina à rede somente em posição desligada.

- A máquina deve ser sempre utilizada com o punho adicional montado.
- Suster sempre a máquina com firmeza com ambas as mãos e mantendo uma posição estável.
- Comprovar que a velocidade marcada no disco seja igual ou superior à velocidade nominal da lixadora rotorbital.
- Certificar-se de que as dimensões do disco sejam compatíveis com a lixadora rotorbital.
- Os discos abrasivos devem ser manuseados e guardados com cuidado de acordo com as instruções do fabricante.
- Proteger o útil de polir e/ou lixar contra golpes, choques e gordura.
- Verificar cuidadosamente o prato para se certificar que não se encontra danificado nem tem fendas antes de utilizá-lo.
- Verificar que os discos abrasivos sejam montados de acordo com as instruções do fabricante.
- Verificar que o disco abrasivo tenha sido bem colocado e fixado antes de utilizar a máquina. Pôr em funcionamento a máquina em vazio durante 30 segundos numa posição segura; caso detecte uma vibração importante ou outros defeitos, pare imediatamente a máquina. Isto poderia indicar uma instalação incorrecta ou um prato mal equilibrado.
- Ter cuidado com as aparas que saltam. Suster a ferramenta de modo que as faíscas saiam para onde não esteja você nem outras pessoas nem materiais inflamáveis.
- Quando trabalhar em pedra, utilize equipamento para a aspiração da poeira e utilize uma máscara antipoeira.
- Para que o trabalho seja eficaz deve seleccionar-se, consoante o material e o acabamento da superfície, o tamanho e a abrasão adequada.
- Não tocar os utensílios de polir em rotação.
- **ATENÇÃO!** A máquina mantém-se em rotação durante algum tempo depois de desligado o aparelho.
- Para trabalhar com a máquina, utilize sempre óculos de segurança e protectores auditivos. Outros equipamentos de protecção pessoal como máscara protectora de poeira, luvas, capacete e avental podem ser utilizados se for preciso; igualmente, é recomendável utilizar calçado de segurança antiderrapante. Quando se considere necessário utilizar uma máscara protectora contra o pó é devido às propriedades nocivas tanto do pó do material polido como da pintura ou outro revestimento da superfície. Em caso de dúvida, é aconselhável utilizar o equipamento protector.
- Verifique que as aberturas de ventilação estejam sempre livres quando se trabalhar com poeira. Se for preciso limpar a poeira, em primeiro lugar deverá

desligar a máquina, não utilizar objectos metálicos e evitar danificar as partes internas.

- **ADVERTÊNCIA:** Certo pó gerado por lixar, polir, serrar, afiar e perfurar mecanicamente, e por outras actividades de construção, contém agentes químicos que se sabe que causam cancro, defeitos de nascença ou outros danos na reprodução. Alguns exemplos destes agentes químicos são: chumbo de pinturas à base de chumbo, sílica cristalina de tijolos e cimentos e outros produtos de alvenaria, e arsénico e cromo de madeira tratada quimicamente. O seu risco, por causa destas exposições, varia, dependendo da frequência com que realize este tipo de trabalho. Para reduzir a sua exposição a estes agentes químicos: trabalhe numa área bem ventilada e trabalhe com equipamento de segurança aprovado, como por exemplo máscaras antipó que estejam desenhadas especialmente para impedir, através da filtração, a passagem de partículas microscópicas.
- **ADVERTÊNCIA!** Nem crianças nem mulheres grávidas deverão entrar na zona de trabalho na qual se esteja a lixar pintura até que se tenha levado a cabo toda a limpeza. O risco de intoxicação por causa do chumbo aumenta nas crianças e mulheres grávidas.
- **Utilize só a ferramenta para lixar em seco.** A entrada de água na ferramenta representa um maior risco de electrocussão.

DESCRIÇÃO ABREVIADA

As lixadoras rotorbitais possuem uma base circular que realiza pequenos movimentos circulares muito rápidos sem girar. O resultado é um lixado muito regular, sem arranhões. A maior parte dos aparelhos possuem uma base perfurada, através da qual a poeira é aspirada, desde que seja utilizado sempre papel abrasivo perfurado. Utilizam-se para obter um acabamento fino.

ADVERTÊNCIA! Qualquer outra utilização diferente da aludida não está autorizada.

Utilizar apenas para os seguintes trabalhos:

1. Acabamento de superfícies de madeira, material sintético, metal e superfícies pintadas.
2. Desoxidação e acabamento de superfícies de aço.

ANTES DE UTILIZAR ESTA FERRAMENTA

Antes de utilizar a ferramenta, verifique se a tensão da rede eléctrica é a correcta: A indicação de tensão na placa de características deve coincidir com a tensão de rede. Os aparelhos que funcionam a 230V podem ser ligados também a uma tensão de rede de 220V.

MONTAGEM DOS DISPOSITIVOS DE SEGURANÇA

ATENÇÃO! Desligue sempre a ficha da tomada antes de efectuar qualquer trabalho na máquina.

Com o objectivo de ter um melhor controlo e segurança no manuseio da máquina, é obrigatório a utilização do punho auxiliar.

MONTAGEM DOS ACESSÓRIOS

ATENÇÃO! Por razões de segurança, a máquina deverá sempre ser desligada da rede antes de proceder à substituição do prato. Use óculos de segurança.

Substituir imediatamente o prato danificado.

ADVERTÊNCIA! Não pressionar nunca o botão de bloqueio com a máquina em funcionamento. Antes de

carregar sobre o botão de bloqueio, o eixo deve estar completamente parado.

Para mudar o prato de velcro, proceder da seguinte maneira:

1. Bloquear o veio (eixo) carregando sobre o botão de bloqueio **C** e com uma mão desaparafusar o prato. Para montar o prato proceda de forma contrária.
2. Quando finalizada a operação de montagem, verificar que o botão de bloqueio tenha recuperado a sua posição inicial por efeito da mola que tem incorporada.

MONTAGEM DAS FOLHAS DE LIXA

ADVERTÊNCIA: Durante qualquer tipo de trabalho na máquina, retire a ficha da tomada.

Selecione previamente a lixa com o grão adequado para a superfície a lixar.

Estas lixadoras dispõem de um sistema de fixação do papel de lixa com velcro, que fica fixo directamente no prato. Para assegurar uma aspiração de pó óptima os orifícios da folha de lixa têm que coincidir com os orifícios do prato.

POSTA EM FUNCIONAMENTO DA FERRAMENTA

ATENÇÃO! Verificar que a tensão da rede coincide com a das características da máquina.

Ligar a máquina à rede com o interruptor desligado.

A máquina põe-se em funcionamento colocando o interruptor de comando **A** na posição ("on"). Para desligar, actuar no sentido contrário.

Electrónica constante e regulação da velocidade

O modulo incorporado permite um arranque suave e manter a velocidade nominal praticamente constante até a potência nominal.

O regulador electrónico de velocidade permite ajustar a velocidade em diferentes posições num número de ajuste dado de 1 a 6. Selecionar a velocidade apropriada segundo o acabamento e a peça de trabalho que deseje polir.

PRECAUÇÃO: O regulador de velocidade só pode girar até ao número 6 e voltar ao número 1. Não o force para além do 6 ou do 1, senão pode estragar-se e deixar de funcionar.

INDICAÇÕES PARA O TRABALHO

Não utilize a lixadora sem o disco abrasivo montado.

Deslocar a lixadora por toda a superfície a lixar. Apenas o seu peso é suficiente para uma boa pressão. Uma maior pressão atrasa a acção do lixado e produz um acabamento irregular, fazendo além disso que a ferramenta se desgaste assim como a lixa. Não deixar a lixadora abandonada e em funcionamento sobre a peça a lixar, ou eliminará demasiado material.

Pôr em funcionamento a lixadora sempre antes de a aproximar da peça a lixar. Não desligar nunca a lixadora quando estiver colocada sobre a peça a lixar. Levante primeiro a lixadora e desligue-a em seguida.

Não usar a lixadora sem lixa, ou a almofada de suporte poderá estragar-se. Tenha cuidado para não tapar com a mão os orifícios de ventilação e procure que não entre água nem óleo no motor da máquina.

Atenções: não deixe que o disco giratório toque saliências agudas, parafusos, pregos, etc. já que se pode danificar.

Não force nunca a ferramenta. A pressão excessiva pode causar obstruções, sobre-aquecimentos do motor, queimaduras da peça de trabalho e contra-golpes.

Utilize discos abrasivos apropriados segundo a superfície a polir/lixar e segundo os resultados desejados.

PRECAUÇÃO: Durante o polido/lixado é necessário manter sempre o cabo para trás para evitar que a máquina o possa apanhar.

ASPIRAÇÃO DA POEIRA

ADVERTÊNCIA! Assegure-se sempre de que a ferramenta está desligada e com a ficha retirada da tomada, antes de instalar ou extrair qualquer dispositivo de aspiração de poeira.

A aspiração da poeira reduz a sujidade no local de trabalho, evita um elevado conteúdo de poeira no ar a respirar e facilita a eliminação de resíduos.

Estas lixadoras têm uma saída de aspiração de pó na qual se poderá adaptar um aspirador universal ou qualquer outro dispositivo de aspiração de pó.

PRECAUÇÃO: Utilize sempre um extractor de aspiração desenhado de acordo com as directrizes aplicáveis em relação à emissão de pó.

Os tubos flexíveis de aspiração dos aspiradores mais comuns são directamente ajustados à abertura de extracção de poeira.

O aspirador deve ser o adequado ao material a trabalhar. Em caso de extrair pó seco nocivo para a saúde ou, inclusivamente, cancerígeno, deve utilizar-se um aspirador especial.

ACESSÓRIOS

Os acessórios e os seus correspondentes números para encomenda estão presentes nos nossos catálogos.

MANUTENÇÃO E CUIDADOS

ATENÇÃO! Desligue sempre a ficha da tomada antes de efectuar qualquer trabalho na máquina.

- **Verificação da ferramenta:** A utilização de um utensílio de polir ou lixar gasto diminuirá a eficiência do trabalho.
- **Inspeccionar os parafusos de montagem:** Inspeccionar regularmente todos os parafusos de montagem e verificar que se encontram apertados firmemente. Se qualquer parafuso se encontrar solto, voltar a apertá-lo imediatamente. Não fazer tal, poderá resultar num risco sério para si.
- **Manutenção do motor:** Prestar o maior cuidado e verificar que o bobinado do motor não seja danificado e/ou fique húmido com óleo ou água.
- Manter sempre livres e limpas as aberturas de ventilação.
- Limpar de forma esmerada a máquina depois de a utilizar. Soprar regularmente o motor com ar comprimido.
- Verificar que o cabo de energia se encontra em bom estado e, caso contrário, ir a um serviço de assistência técnica para o substituir.
- **Substituição das escovas:** As escovas devem ser substituídas após 150 / 200 horas de trabalho, ou quando o seu comprimento seja inferior a 10 mm. Para tal, deve ir a um centro de assistência autorizado para efectuar a mudança. Recomendamos que em cada segunda mudança de escovas, entregue a máquina a

um dos nossos Serviços de Assistência Técnica para uma revisão de limpeza e lubrificação geral.

- Somente devem utilizar-se acessórios e peças sobressalentes **Felisatti**. As peças cujas peças sobressalentes não estão descritas nestas instruções de utilização, devem ser substituídas num serviço de assistência técnica **Felisatti** (Consulte a brochura Garantia / Endereços de Serviços de Assistência Técnica).



Não coloque as ferramentas eléctricas no lixo doméstico!

De acordo com a Directiva Europeia 2002/96/CE relativa aos resíduos dos equipamentos eléctricos e electrónicos e à conversão no direito nacional, as ferramentas eléctricas usadas devem ser separados e devem ser sujeitos a uma reciclagem que respeite o meio ambiente.

GARANTIA

Ver condições gerais de concessão de Garantia em brochura anexa a estas instruções.

VALORES DE RUÍDO E VIBRAÇÃO

A ferramenta foi desenhada e construída para reduzir ao mínimo os ruídos, mas apesar disto, **em especiais condições, o nível de ruído máximo no lugar de trabalho poderia ser superior a 85 dBA. Neste caso, o operador deve proteger-se do ruído excessivo por meio da utilização de protectores auditivos.**

Os níveis de ruído e vibração da máquina, medidos segundo a norma EN60745-1, elevam-se normalmente a:

Nível de pressão acústica = 82 dB(A)

Nível de potência acústica = 92 dB(A)

Utilizar protectores auditivos!

Aceleração de vibração = 7,5 m/s²



DECLARAÇÃO DE CONFORMIDADE

Declaramos sob a nossa única responsabilidade que os produtos marca **FELISATTI** descritos neste manual RGF150/600E estão em conformidade às normas ou documentos normalizados seguintes: EN60745-1:2008, EN55014-1:2006+A1, EN55014-2:1997+A1+A2, EN61000-3-2:2006+A1+A2 e EN61000-3-3:2008 de acordo com as directivas 2006/42/CEE, 2006/95/CEE, 2004/108/CEE e 2002/95/CEE.



Francisco Ruiz
Dir. Fábrica

A assinatura manuscrita de Francisco Ruiz, Diretor de Fábrica.

ТЕХНИЧЕСКИЕ ХАРАКТЕРИСТИКИ

Ротор-орбитальная шлифовальная машина		RGF150/600E
Входная мощность	Вт	600
Скорость на холостом ходу	об/мин	2500-6500
Количество орбитальных движений в минуту	об/мин	5000-13000
Максимальный диаметр диска Velcro	мм	150
Окружность колебаний	мм	5
Вес приблиз. (без аксессуаров)	кг	2.4

Следует тщательно выполнять указания, приведенные в данном руководстве; руководство необходимо внимательно прочитать и хранить в доступном месте для использования в процессе выполнения технического обслуживания указанных деталей.

Бережное обращение с электроинструментом и соблюдение всех описанных ниже правил по уходу значительно продлят его срок эксплуатации.

Данный электроинструмент должен использоваться только по своему прямому назначению, предусмотренному настоящей инструкцией по эксплуатации. **Категорически запрещается любое другое применение электроинструмента.**

ВНЕШНИЙ ВИД

ОПИСАНИЕ (смотрите рисунки)

- A Кнопка включения (рис.1)
- B Вспомогательная рукоятка (рис.1)
- C Кнопка блокировки шпинделя (рис.2)
- D Диск Velcro (рис.1)
- E Электронный регулятор скорости (рис.1)
- F Отвод пыли (рис.2)

АКСЕССУАРЫ, ВХОДЯЩИЕ В КОМПЛЕКТ ПОСТАВКИ

- Инструкция по эксплуатации
- Правила по технике безопасности
- Гарантийный талон

ПРАВИЛА ПО ТЕХНИКЕ БЕЗОПАСНОСТИ

- См. «Правила по технике безопасности», прилагаемые к этой инструкции.
- **ВНИМАНИЕ!** Не допускается шлифование материала, содержащего асбест. При работе с материалами, содержащими асбест или при обработке камня на кремниевой основе образуется пыль, которая очень вредна для здоровья. Поэтому, в соответствии с правилами по технике безопасности во время работы необходимо использовать средства индивидуальной защиты.
- Для Вашей безопасности электроинструмент должен подключаться к электросети, защищенной дифференциальным магнитотепловым однофазным автоматом, предохраняющим электросеть от перегрузок и коротких замыканий.
- Не делайте отверстия в корпусе электроинструмента, так как это может привести к повреждению изолирующего слоя (используйте наклейки).
- Перед началом работы исследуйте обрабатываемую поверхность металлоискателем, так как в стенах могут проходить электропроводки, газовые и водопроводные трубы.
- Перед уходом за электроинструментом всегда отключайте питающий кабель от электросети.

- Вынимайте кабель питания из розетки держась за штепсель, ни в коем случае не тяните за кабель питания.
- **ВНИМАНИЕ!** Каждый раз перед использованием прибора убедитесь в исправности питающего кабеля и вилки. В случае обнаружения каких-либо неисправностей обращайтесь к специалистам.
- Избегайте попадания кабеля питания на обрабатываемую электроинструментом поверхность.
- Подключайте электроинструмент к сети только после того как Вы убедитесь в том, что кнопка включения находится в выключенном состоянии.
- Всегда устанавливайте вспомогательную рукоятку.
- Во время работы крепко держите электроинструмент обеими руками.
- Убедитесь в том, что значение скорости, указанное на шлифовальном диске, не меньше номинальной скорости шлифовальной машины.
- Убедитесь в том, что размеры диска соответствуют шлифовальной машине.
- Абразивные круги должны эксплуатироваться и храниться в соответствии с правилами, установленными производителями кругов.
- Берегите круг от ударов, столкновений и попадания масла.
- Перед использованием шлифовального диска тщательно осмотрите его, чтобы убедиться в отсутствии на нем повреждений и трещин.
- При установке диска следуйте инструкциям изготовителя.
- Перед включением шлифовальной машины убедитесь в правильности установки и крепления абразивного круга. Включите шлифовальную машину и дайте ей поработать на холостом ходу приблизительно в течение 30 секунд. При сильной вибрации или появлении каких-либо аномалий немедленно выключите шлифовальную машину. Это может свидетельствовать о неправильной установке или о плохой балансировке диска.
- Будьте осторожны с отделяющимися частицами. Держать инструмент следует так, чтобы сноп искр не был направлен в сторону оператора, других людей или воспламеняющихся веществ.
- При работе с камнем нужно пользоваться респиратором и пылесосом.
- Для обеспечения большей эффективности работы вы должны, основываясь на материале и степени конечной обработки поверхности, выбрать соответствующие размеры и зернистость.
- Запрещается прикасаться к вращающейся шлифовальной машине.

- **ВНИМАНИЕ!** Диск продолжает вращаться в течение некоторого времени после выключения машины.
- При работе с электроинструментом всегда пользуйтесь защитными очками и средствами звуковой защиты. При необходимости рекомендуется использовать другие средства, такие как респиратор, перчатки, каска или фарук. Также рекомендуется обуть ботинки на прорезиненной подошве. Поскольку пыль, образующаяся при шлифовании различных материалов, окрашенных поверхностей или поверхностей с другим нанесенным покрытием, следует носить защитную маску. Если Вы не уверены в составе обрабатываемого материала, для профилактики рекомендуется использовать респиратор в любом случае.
- В пыльной среде вентиляционные отверстия всегда должны находиться открытыми. Если отверстия загрязняются, их необходимо очистить, предварительно выключив шлифовальную машину. Для чистки запрещается использовать металлические предметы. Чистку производите аккуратно, чтобы не повредить внутренние части и узлы электроинструмента.
- **ВНИМАНИЕ:** Некоторые виды пыли, образующиеся в ходе механической обработки путем шлифования, распилки, измельчения и сверления в сочетании с другими видами строительных операций, содержат химические вещества, вызывающие рак, врожденные нарушения и прочие заболевания. ниже приведены некоторые примеры таких веществ: свинец, содержащийся в лакокрасочном покрытии на свинцовой основе, кристаллический кремнезем, содержащийся в кирпичах, цементе и кирпичной кладке, а также мышьяк и хром, содержащийся в древесине, подвергнутой химической обработке. Риск, обусловленный подобным воздействием, зависит от того, как часто выполняется подобная работа. Для уменьшения степени воздействия подобных химических веществ: работы следует производить в хорошо вентилируемом помещении при использовании одобренного защитного оборудования типа защитных масок для лица, специально предназначенных для фильтрации микроскопических частиц.
- **ВНИМАНИЕ!** Ни в коем случае не допускайте присутствие детей и беременных женщин в помещении, где проводится шлифовка, до того момента, пока помещение не будет тщательно проветрено. Опасность отравления свинцом особенно велика для детей и беременных женщин.
- Используйте этот инструмент только для сухого шлифования. Попадание воды в электроинструмент увеличивает риск поражения электрическим током.

КРАТКОЕ ОПИСАНИЕ

Орбитальные шлифовальные машины оборудованы круговыми основаниями, которые совершают небольшие, очень быстрые круговые движения. При этом, не вращаясь вокруг своей оси, достигается очень высокое качество обработки поверхности, без царапин. В большинстве случаев рабочая основа имеет отверстия, через которые засасывается пыль, образуемая в процессе шлифования. Очевидно, что

для этого нужно использовать абразивную бумагу с отверстиями. Орбитальные шлифовальные машины используются для финишной обработки.

ВНИМАНИЕ! Любое другое применение шлифовальной машины категорически запрещается. Применение шлифовальной машины:

1. Финишная обработка деревянных поверхностей, синтетических материалов, металлических и окрашенных поверхностей.
2. Удаление ржавчины и полировка поверхностей из стали.

ПЕРЕД НАЧАЛОМ РАБОТЫ

Перед началом работы убедитесь в том, что напряжение электросети соответствует рабочему напряжению электроинструмента: рабочее напряжение указано на табличке характеристик на корпусе электроинструмента. Если на табличке характеристик указано напряжение 230 В, то электроинструмент также можно включать в сеть под напряжением 220 В.

УСТАНОВКА ЗАЩИТНОГО КОЖУХА

ВНИМАНИЕ! Перед уходом за электроинструментом всегда отключайте питающую кабель от электросети. Для обеспечения максимальной безопасности эксплуатации и контроля над электроинструментом использование вспомогательной рукоятки является обязательным.

УСТАНОВКА АКЦЕССУАРОВ

ВНИМАНИЕ! В соответствии с требованиями техники безопасности перед заменой шлифовального диска следует в обязательном порядке отключить инструмент от сети питания.

Незамедлительно заменяйте поврежденный диск.

ВНИМАНИЕ! Ни в коем случае не нажимайте на кнопку блокировки шпинделя во время работы шлифовальной машины. Не нажимайте на кнопку блокировки до того момента, пока вал полностью не остановится.

Замена диска Velcro (с липучкой) выполняется следующим образом:

1. Заблокируйте шпиндель (вал) нажатием на кнопку блокировки шпинделя С и рукой отверните диск. Для установки диска выполните эти действия в обратном порядке.
2. После установки абразивного круга убедитесь в том, что кнопка блокировки шпинделя вернулась в исходную позицию. Возвращение в исходную позицию обеспечивается пружиной, которая находится внутри кнопки.

УСТАНОВКА ШЛИФОВАЛЬНОГО ЛИСТА АБРАЗИВНОЙ БУМАГИ

ВНИМАНИЕ: Перед уходом за шлифовальной машиной всегда отключайте кабель питания от электросети.

Размер зерна шлифовального листа абразивной бумаги должен соответствовать типу выполняемой работы.

На этих шлифовальных машинах наждачная бумага фиксируется с помощью системы крепления Velcro (с липучкой), то есть бумага крепится непосредственно к диску. Для обеспечения оптимального отсасывания пыли отверстия в листе наждачной бумаги должны быть совмещены с отверстиями в диске.

ПУСК ЭЛЕКТРОИНСТРУМЕНТА

ВНИМАНИЕ! Напряжение электросети должно соответствовать рабочему напряжению электроинструмента.

Производите подключение к электросети только при выключенной кнопке включения.

Пуск производится путем установки выключателя в положение 1 ("ON"). Чтобы выключить электроинструмент, переведите выключатель в исходное положение.

Модель с постоянной и регулируемой скоростью

Электронный блок поддерживает обороты электродвигателя на постоянной скорости в пределах номинальной потребляемой мощности и обеспечивает плавный пуск электроинструмента.

Электронный регулятор скорости обеспечивает возможность установок различной скорости в пределах от 1 до 6. Выбор наиболее подходящей скорости производится с учетом шлифуемой детали.

МЕРА ПРЕДОСТОРОЖНОСТИ: Регулятор скорости необходимо сначала повернуть в положение 6, а затем вернуть в положение 1. Запрещается устанавливать регулятор в положение за пределами положения 6 или 1, так как это может привести к выходу из строя электроинструмента.

ПРАВИЛА ЭКСПЛУАТАЦИИ

Нельзя включать шлифовальную машину без абразивного диска.

Перемещайте шлифовальную машину по обрабатываемой поверхности плавными движениями. Не прилагайте усилия к шлифовальной машине. Собственный вес электроинструмента является достаточным для оказания необходимого давления на обрабатываемую поверхность. Применение чрезмерного усилия делает процесс шлифования более длительным, поверхность шлифуется неровно, происходит преждевременный износ шлифовального листа и самого электроинструмента. Не оставляйте работающий инструмент без присмотра, поскольку качество обработки поверхности может ухудшиться.

Включите шлифовальную машину, дождитесь, пока электродвигатель наберет обороты, и только после этого начните работу. Никогда не выключайте шлифовальную машину, пока она входит в контакт с обрабатываемой поверхностью: в начале нужно убрать шлифовальную машину и только после этого выключить ее.

Запрещается применение шлифовальной машины без шлифовального листа абразивной бумаги, в противном случае это приведет к выходу из строя шлифовальной основы. Старайтесь не закрывать рукой вентиляционные отверстия. Избегайте попадания масел и воды в электродвигатель.

Внимание: не допускайте, чтобы вращающийся диск касался острых выступов, винтов, гвоздей и т.п., так как эти предметы могут повредить оборудование.

Используйте такие круги с абразивной бумагой, которые соответствуют обрабатываемой поверхности и требуемым результатам.

МЕРА ПРЕДОСТОРОЖНОСТИ: В процессе работы шлифовальной машины электрический кабель всегда должен располагаться сзади, чтобы за него невозможно было зацепиться.

ПЫЛЕСБОРНИК

ВНИМАНИЕ! Перед установкой или снятием пылесборника убедитесь в том, что электроинструмент выключен, и кабель питания отключен от электросети.

Пылесборник позволяет избегать загрязнения рабочего места, снижает содержание пыли в воздухе и облегчает сбор опилок.

В предлагаемых шлифовальных машинах предусмотрена система отвода пыли, которую можно подсоединить к любому пылесосу или иному устройству для удаления пыли.

ПРЕДУПРЕЖДЕНИЕ: Устройство отвода пыли обязательно должно иметь конструкцию, соответствующую экологическим нормам удаления пыли.

Если используется обычный пылесос, его шланг можно установить прямо на вывод.

Вытяжное устройство должно соответствовать обрабатываемому материалу.

В случае образования вредной сухой или канцерогенной пыли необходимо использовать специальное вытяжное устройство.

АКСЕССУАРЫ

Аксессуары можно заказать по каталогу, указав их порядковый номер.

ПРАВИЛА ПО УХОДУ

ВНИМАНИЕ! Перед уходом за электроинструментом всегда отключайте питающий кабель от электросети.

- **Внешний осмотр:** Использование изношенного шлифовального или полировального инструмента снижает эффективность работы.

- **Осмотр винтов корпуса:** Регулярно проверяйте надежность крепления всех винтов. При обнаружении ослабленного винта немедленно затяните его. В противном случае Вы подвергаете себя риску получения травмы.

- **Уход за электродвигателем:** Необходимо особенно бережно относиться к электродвигателю, избегать попадания воды или масла в его обмотки.

- Вентиляционные отверстия электроинструмента должны быть всегда открытыми и чистыми.

- По окончании работ инструментом необходимо тщательно вычистить. Регулярно прочищайте электродвигатель сжатым воздухом.

- Перед использованием электроинструмента проверьте исправность кабеля. Если кабель поврежден, то необходимо обратиться в центр технического обслуживания для его ремонта или замены.

- **Замена щеток:** Щетки автоматически отключаются при их износе. Их необходимо менять после каждых 150 - 200 часов эксплуатации, или когда их длина станет меньше 10 мм. Эта операция должна выполняться только в центрах технического обслуживания, имеющих разрешение на этот вид деятельности. Рекомендуется сдавать электроинструмент в один из наших центров технического обслуживания после каждой второй замены щеток для проведения технического осмотра, очистки и смазки.

- Разрешается использовать только аксессуары и запчасти фирмы **Felisatti**. Замена неисправных деталей, за исключением тех, которые описываются в этой инструкции, должна

производиться только в центрах технического обслуживания фирмы **Felisatti** (Смотрите прилагаемый гарантийный талон/адреса центров технического обслуживания).



Запрещается выбрасывать электроинструмент вместе с бытовыми отходами!

В соответствии с Директивой ЕС номер 2002/96/ЕС относительно старых электрических и электронных устройств и ее приложением к национальному законодательству бывшие в употреблении электрические приборы необходимо собирать отдельно и утилизировать способами, не наносящими вреда экологии.

ГАРАНТИЯ

Условия гарантии смотрите в гарантийном талоне, прилагаемом к этой инструкции по эксплуатации.

ШУМ И ВИБРАЦИЯ

При разработке данного инструмента особое внимание уделялось снижению уровня шума. **Несмотря на это, в некоторых случаях уровень шума на рабочем месте может достигнуть 85 дБА. В этой ситуации оператор должен использовать средства звуковой защиты.**

Уровень шума и вибрации инструмента соответствует нормативам EN60745-1 и имеет следующие номинальные параметры:

Акустическое давление = 82 дБ (А)

Акустический резонанс = 92 дБ (А)

Пользуйтесь средствами звуковой защиты!

Ускорение вибрации = $7,5 \text{ м/с}^2$



ДЕКЛАРАЦИЯ О СООТВЕТСТВИИ

Мы со всей ответственностью заявляем, что электроинструменты RGF150/600E марки **FELISATTI**, описание которых приведено в данной инструкции, соответствуют требованиям следующих нормативных документов: EN60745-1:2008, EN55014-1:2006+A1, EN55014-2:1997+A1+A2, EN61000-3-2:2006+A1+A2 и EN61000-3-3:2008 в соответствии с директивами ЕС 2006/42/ЕС, 2006/95/ЕС, 2004/108/ЕС и 2002/95/ЕС.



Francisco Ruiz
Директор фабрики



Interskol Power Tools S.L.
Ctra. de Sant Joan de les Abadesses s/n
17500 RIPOLL (Girona)
www.felisatti.es