

**VC25/1400**

**VC50/1400**

- EN** Operating Instructions
- ES** Instrucciones de servicio
- FR** Mode d'emploi
- IT** Istruzioni per l'uso
- DE** Bedienungsanleitung
- PT** Instruções de utilização
- RU** Руководство по эксплуатации

Vacuum cleaner for wet and dry applications

Aspirador de material húmedo y seco

Aspirateur eau et poussières

Aspiratore di solidi e liquidi

Sauger für Nass- und Trockeneinsatz

Aspirador para zonas secas e húmidas

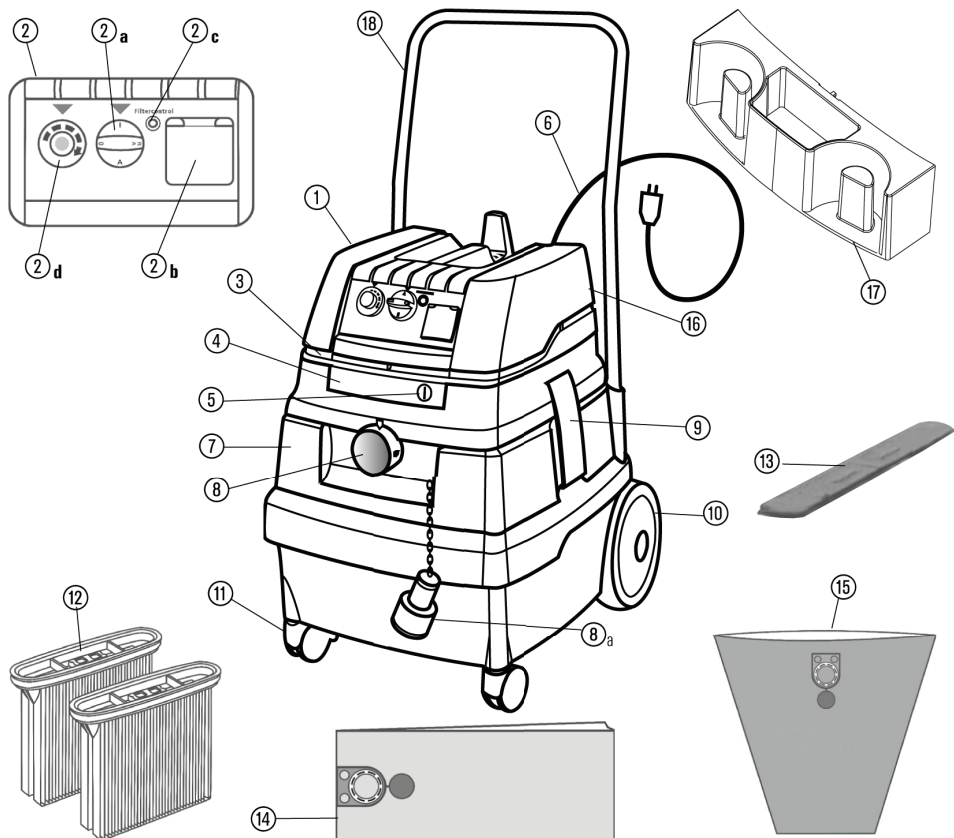
Пылесос универсальный

**IP24**



ME77





### EN Descripción

① Top section

② **Functional plate** (depending on appliance configuration)

②a Rotary switch ON/OFF/Automatic/Vibration

②b Power socket for electric tools

②c Volume flow display

②d Speed setter/pre-selection switch

③ Cold air inlet

④ Locking bar

⑤ Lock

⑥ Connecting line

⑦ Container

⑧ Suction opening

⑧a Sealing plug with a chain

⑨ Snap-in locks

⑩ Wheels

⑪ Steering castors

⑫ Filter cassettes

⑬ Motor protection filter

⑭ Paper filter bag

⑮ Plastic emptying bag

⑯ Suspension for wire basket

⑰ Accessories box \*

⑱ Pushing handle \*

\* depending on model

### ES Descripción

① Parte superior

② **Disco de funciones** (según el equipamiento del aparato)

②a Interruptor de giro para Encendido/ Apagado/Automático/Vibrador

②b Toma de corriente para herramientas eléctricas

②c Indicador de flujo

②d Ajuste de revoluciones/ Interruptor de selección

③ Entrada de aire frío

④ Tira transversal

⑤ Cierre

⑥ Cable de alimentación

⑦ Depósito

⑧ Abertura de aspiración

⑧a Tapón de cierre con cadena

⑨ Cierre a presión

⑩ Ruedas

⑪ Redecillas de dirección

⑫ Estuche de filtro

⑬ Filtro de protección del motor \*dependiendo del modelo

⑭ Bolsa de filtro de papel

⑮ Bolsa desechable de plástico

⑯ Gancho para cesta de alambre

⑰ Soporte para accesorios \*

⑱ Asa de transporte \*

**FR****Description**

- |  |  |                                    |  |
|--|--|------------------------------------|--|
| ① Partie supérieure  | ② c Affichage du débit volumétrique    | ⑥ a Bouchons de fermeture à chaîne | ⑭ Sacet filtre papier                          |
| ② <b>Plaque de fonctionnement</b><br>(en fonction de l'équipement de l'appareil) | ② d Régulateur de vitesse/présélecteur | ⑦ Fermeture à crans                | ⑮ Sac de vidage en plastique en fil métallique |
| ② a Interrupteur rotatif Marche/Arrêt/automatique/secoueur                       | ③ Entrée air de refroidissement        | ⑧ Roues                            | ⑯ Suspension pour le panier                    |
| ② b Prise de courant pour outil électrique                                       | ④ Verrou                               | ⑨ Roues-guides                     | ⑰ Porte-accessoires *                          |
|  | ⑤ Fermeture                            | ⑩ Cassettes filtre                 | ⑱ Etrier de déplacement *                      |
|  | ⑥ Conduite de raccordement             | ⑪ Filtre de protection du moteur   |  |
|  | ⑦ Cuve                                 |                                    |  |
|  | ⑧ Ouverture d'aspiration               |                                    |  |

\* selon le modèle

**IT****Descrizione**

- |  |  |                               |                                    |
|--|--|-------------------------------|------------------------------------|
| ① Parte superiore  | ② b Presa per utensili elettrici                         | ⑥ a Tappo con catena          | ⑭ Sacchetto filtro di carta        |
| ② <b>Pannello di funzionamento</b><br>(a seconda della dotazione dell'apparecchio) | ② c Indicazione del flusso del volume                    | ⑦ Contenitore                 | ⑮ Sacchetti di scarico in plastica |
| ② a Interruttore rotante Acceso/Spento/Funzionamento automatico/Vibratore          | ② d Manopola di regolazione del numero di giri/selettore | ⑧ Bocca di aspirazione        | ⑯ Attacco per cesto metallico      |
|  | ③ Entrata aria di raffreddamento                         | ⑨ Chiusura ad incastro        | ⑰ Porta accessori *                |
|  | ④ Dispositivo di bloccaggio                              | ⑩ Ruote                       | ⑱ Impugnatura *                    |
|  | ⑤ Chiusura   | ⑪ Rulli di guida              |                                    |
|  | ⑥ Linea di collegamento                                  | ⑫ Cartuccia filtro            |                                    |
|  |  | ⑬ Filtro di protezione motore |                                    |

\* in base al modello

**DE****Beschreibung**

- |  |                                     |                                 |                            |
|--|-------------------------------------|---------------------------------|----------------------------|
| ① Oberteil   | ② c Volumenstromanzeige             | ⑧ Saugöffnung                   | ⑬ Motorschutzfilter        |
| ② <b>Funktionsplatte</b><br>(entsprechend der Geräteausstattung) | ② d Drehzahlsteller/Vorwahlschalter | ⑧ a Verschlussstopfen mit Kette | ⑭ Papierfilterbeutel       |
| ② a Drehschalter Ein/Aus/Automatik/Rüttler                       | ③ Kühlluft Eintritt                 | ⑨ Rastverschlüsse               | ⑮ Kunststoff-Entleerbeutel |
| ② b Steckdose für Elektrowerkzeug                                | ④ Riegel                            | ⑩ Räder                         | ⑯ Einhängung für Drahtkorb |
|  | ⑤ Verschluss                        | ⑪ Lenkrollen                    | ⑰ Zubehördepot *           |
|  | ⑥ Anschlussleitung                  | ⑫ Filterkassetten               | ⑱ Fahrbügel *              |
|  | ⑦ Behälter                          |                                 | * Je nach Modell           |

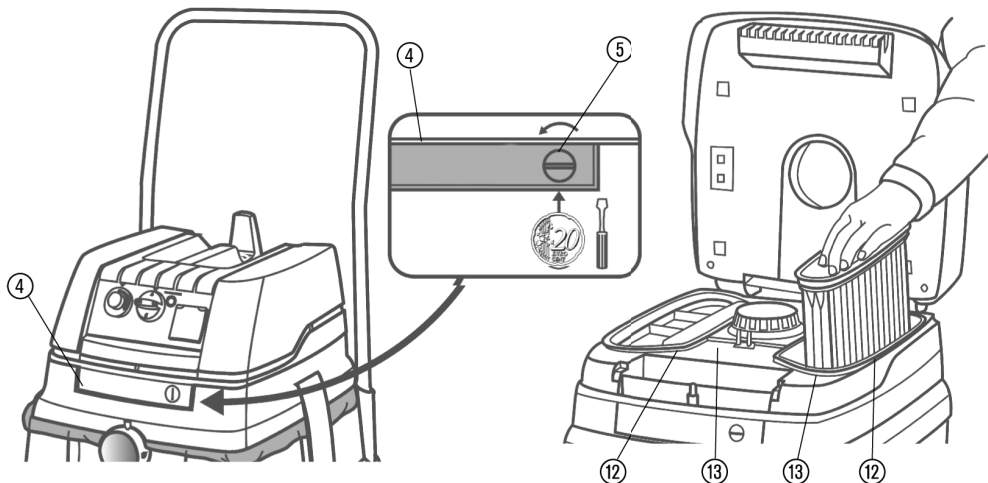
**PT****Descrição**

- |  |   |                                 |   |
|--|---|---------------------------------|---|
| ① Parte superior   | ② d Fixador de velocidade de rotação/Selector | ⑧ a Bujão de fecho com corrente | ⑭ Saco de filtro de papel                   |
| ② <b>Placa de funções</b> (em função dos equipamentos opcionais) | ③ Entrada do ar de arrefecimento              | ⑨ Encravamentos                 | ⑮ Saco de esvaziamento de material plástico |
| ② a Botão ligar/desligar/automático/vibrador                     | ④ Trava                                       | ⑩ Rodas                         | ⑯ Gancho para o cesto                       |
| ② b Tomada para as ferramentas eléctricas                        | ⑤ Fecho                                       | ⑪ Rodas dirigíveis              | ⑰ Depósito de acessórios *                  |
| ② c Sinalizador da vazão   | ⑥ Condutor de alimentação                     | ⑫ Cartuchos de filtração        | ⑱ Manipulo *                                |
|  | ⑦ Caixa                                       | ⑬ Filtro de protecção do motor  |   |
|  | ⑧ Bocal de aspiração                          |                                 | * conforme o modelo                         |

**RU****Описание**

- |   |  |                          |  |
|---|--|--------------------------|--|
| ① Верхняя секция  | ② c Индикатор объема потока воздуха                | ⑧ Отверстие для шланга   | ⑮ Пластиковый пакет                    |
| ② <b>Панель функции</b><br>(в зависимости от модели)                    | ② d Переключатель мощности/Переключатель настройки | ⑧ a Пробка с цепочкой    | ⑯ Место присоединения корзинок         |
| ② a Включатель/Выключатель Автоматический переключатель/Очистка фильтра | ③ Пуск охлаждающего воздуха                        | ⑨ Зашелки                | ⑰ Место для хранения принадлежностей * |
| ② b Розетка для электроинструментов                                     | ④ Ригель   | ⑩ Колеса                 | ⑱ Ручка *                              |
|   | ⑤ Замок  | ⑪ Вращающиеся ролики     |  |
|   | ⑥ Кабель   | ⑫ Кассетный фильтр       |  |
|   | ⑦ Контейнер  | ⑬ Защитный фильтр мотора |  |
|   |  | ⑭ Бумажный фильтр        |  |

\* в зависимости от модели



**EN**

**Description**

- ④ Locking bar
- ⑤ Lock
- ⑫ Filter cassettes
- ⑬ Motor protection filter

**DE**

**Beschreibung**

- ④ Riegel
- ⑤ Verriegelungsknopf
- ⑫ Filterkassetten
- ⑬ Motorschutzfilter

**ES**

**Beschreibung**

- ④ Tira transversal
- ⑤ Cierre
- ⑫ Estuche de filtro
- ⑬ Filtro de protección del motor

**PT**

**Descrição**

- ④ Trava
- ⑤ Fecho
- ⑫ Cartuchos de filtração
- ⑬ Filtro de protecção do motor

**FR**

**Description**

- ④ verrou
- ⑤ fermeture
- ⑫ cassettes filtre
- ⑬ filtre de protection du moteur

**RU**

**Описание**

- ④ Ригель
- ⑤ Кнопка блокировки
- ⑫ Кассетный фильтр
- ⑬ Защитный фильтр для мотора

**IT**

**Descrizione**

- ④ Dispositivo di bloccaggio
- ⑤ Chiusura
- ⑫ Cartuccia filtro
- ⑬ Filtro di protezione motore

## English

Product	Suction unit for wet and dry substances
Type	VC25/1400, VC50/1400
Unit construction type Complies with the following relevant provisions	EC Machinery Directive 2006/42/EU EMC Directive 2004/108/EC
Applicable harmonised standards	EN 12100-1, EN-12100-2, EN 60335-1, EN 60335-2-69, EN 55014-1, EN 55014-2, EN 61000-3-2
Applicable national standards and technical specifications	DIN EN 60335-1, DIN EN 60335-2-69

When unpacking, check that the unit is complete and shows no signs of transport damage. Read all the information carefully. They contain important advice about how to use the unit, safety, maintenance and care. Please keep these operating instructions somewhere safe and pass on to any subsequent owners. We reserve the right to make design and equipment changes.

### 1 Safety Advice

#### Warning!

- ▶ VC25/1400, VC50/1400 vacuum devices are not suitable for aspiration/clearing of toxic dusts.

#### Warning!

- ▶ Persons (including children) who are, due to their physical, sensory or intellectual abilities or lack of experience or knowledge, unable to safely use the vacuum device should not use it without supervision or instruction by a responsible person.
- ▶ Particular caution is advised with children, elderly or infirm persons.
- ▶ Do not point nozzle, tube or hose at people or animals.

#### Danger!

- ▶ Do not operate the vacuum device where there is danger of explosions.
- ▶ Keep away the vacuum device from inflammable gases and substances.

#### Danger!

- ▶ Do not aspirate any combustible or explosive solvents, materials soaked in solvents, explosive dusts, liquids such as petrol, oil, alcohol, diluents or materials hotter than 60 °C (140 °F).

- ▶ Otherwise there will be danger of fire and explosions!!

#### Danger!

- ▶ Use the socket of the vacuum device only for the purposes defined in the instruction manual.
- ▶ In case of any inappropriate usage, improper operation or repair, the producer shall be exempt from liability.
- ▶ Do not use any damaged extension lines.
- ▶ If the connector line of the vacuum device has been damaged, it must be replaced with a special connector line which is available from the producer or their service.
- ▶ The voltage on the type sign must correspond to the grid voltage.
- ▶ After every use and before any maintenance, switch off the vacuum device and pull the power plug.
- ▶ Pull on the plug only, not on the line.
- ▶ Never plug or pull the power plug with wet hands..
- ▶ The socket must be secured via a household fuse with a suitable current rating.
- ▶ Never open the vacuum device outdoors in rain or storm.

#### Danger!

- ▶ Danger of suffocation
- ▶ Keep packaging material such as plastic bags away from children
- ▶ Never stand or sit upon the vacuum device.
- ▶ Particular caution is advised when ascending stairs. Pay attention to standing safely.
- ▶ Do not pull the suction hose and connection line over sharp edges, kink it or shut it.
- ▶ Always lay the suction hose and connection line so that nobody may trip over them.
- ▶ In case of any leakage of foam or liquid, immediately switch off the vacuum device.
- ▶ Always keep dry the inside of the lid.
- ▶ Do not start the vacuum device including its accessories if:
  - the vacuum device shows detectable damage (fissures/cracks);
  - the power connection line is defective or shows fissuring or ageing;
  - any invisible defect is suspected (after a fall).

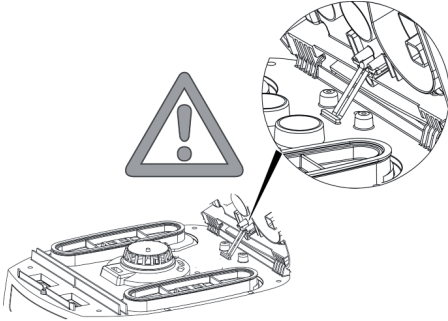
#### Warning!

- ▶ Use only the brushes supplied with the vacuum device or defined in the instruction manual. Use of any other brushes may pose a safety hazard.
- ▶ Clean and disinfect the vacuum device immediately after use to prevent microbial contamination due to long-term failure to clean it, especially when using the device in food-processing.
- ▶ Do not use any steam jets or high-pressure cleaners for cleaning.
- ▶ Acids, acetone and solvents may corrode parts of the vacuum device.

- ▶ Do not leave the device without supervision. In case of longer interruptions of work, pull the power plug.

## Warning!

- ▶ Have repairs been made only by experts, e.g. the producer's service. Use original spare parts only.
- ▶ Improperly repaired devices pose a hazard for the user.



## 2 Before use.

When unpacking, check that the unit is complete and shows no signs of transport damage.

Read all the information carefully. They contain important advice about how to use the unit, safety, maintenance and care. Please keep these operating instructions somewhere safe and pass on to any subsequent owners. We reserve the right to make design and equipment changes.

## 3 Fields of application

- ▶ The vacuum device is designed for industrial use. Ideal in combination with an electric tool, on building sites, in workshops, etc. For wet and drying suctioning.

## 4 Commissioning.

Switch the unit ON/OFF with the switch ②a in the top section ① (or switch to automatic mode – see Section 4.1.).

### 4.1 Operating field.

Depending on the unit configuration, the following functions and settings are available:

**0** = Suction unit >off<

**I** = Suction unit >on<

**A** = Ready mode for ON/OFF automatic mode. (Suction unit is switched ON/OFF by the electrical tool)

**R** = Filter cleaning function; in this switch setting the vibrator is activated for approx. 10 sec. and then switches off again automatically.

**RA** = Ready mode like "A" plus automatic filter cleaning.

The power socket ②b is available for connecting an electrical tool.

## Caution!

The electrical tool must be switched off during connection. The power socket is permanently supplied with voltage when the plug is in the mains socket regardless of the switch setting. In switch setting "0" the power socket could still be used as an extension cable (e.g. for lights).

Connected load: Suction unit and connected unit max. 16 A.

The suction output can be adjusted steplessly using the rotating speed setter ②d.

The suction openings of the electrical tools are not standardised. There is an adapter available (rubber nozzle or rubber muff) which can be shortened and adjusted to the respective electrical tool.

## 5 Operation [wet and dry suctioning]

When the handle pipe is used, the secondary air valve can be used to adjust the suction output.

### 5.1 Dry suctioning.

Only suction with a dry filter, unit and accessories so that the dust does not adhere and harden. We recommend using a paper filter bag if soot, cement, plaster, flour or similar substances are suctioned. Always use the paper filter bag in combination with the filter cartridges.

### 5.2 Wet suctioning.

Suction without a paper filter bag. The filter cassettes are suitable for wet suctioning.

The installed sensor switches the motor off when the tank is full. Empty the unit as outlined in Section 5.4. If the unit is not switched off, the restarting safeguard remains effective. The unit will only be ready for operation again after it has been switched off and switched on again.

- Before emptying, first remove the suction hose from the liquid.
- Due to the high suction output and the streamlined shape of the tank, a little water may escape from the hose after the unit has been switched off.

- For the subsequent dry suction phase, use a dry filter. In case of frequent changes between dry and wet suctioning, we recommend using a second filter set, preferably polyester filter cassettes.

## 5.3 Cleaning the filter.

The suction unit is fitted with an electro-magnetic filter cleaning device which can shake off any dust adhered to the folded filter cassettes.

### 5.3.1 Manual cleaning.

The vibration function (switch setting R or RA /switch ②a) should be activated at the latest when the volume flow display ②c (warning lamp) lights up or when the warning signal sounds or when the suction output sinks.

### 5.3.2 Automatic cleaning (automatic vibration).

Filter cleaning is performed (switch setting RA/switch ②a) automatically during the next working break when the minimum volume flow level is reached.

## 5.4 Emptying the tank.

Only permitted with dusts with AGW's > 1mg/m<sup>3</sup>. Switch off ②a, disconnect plug ⑥, open snap locks ⑨. Take top section ① and suction hose from the tank ①. Empty the tank.

## 5.5 Paper filter bag.

To insert or remove the filter bag/emptying bag, remove the top section ①).

To do this, open the side locks ⑨. Only use the paper filter bag for dry suctioning.

### 5.5.1 Inserting the paper filter bag.

- **25 and 50 litre tank** Push the flange over the suction opening

#### Operating the slide valve:

Push the slide valve from inside to the outside ①, turn by 180° ② (see marking ④) and press from outside through the suction pipes to the inside again ③.

### 5.5.2 Exchanging the paper filter bag

Carefully pull the flange from the suction connections and close the flange.

Turn on the motor before putting down to ensure that any falling suspended dust can be suctioned (refer to the graph page 4). Dispose of the vacuumed material as per the statutory regulations.

## 6 Cleaning.

Clean the tank and accessories with water. Wipe the top section ① with a damp cloth. Allow the tank and the accessories to dry.

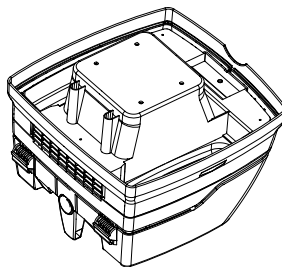
## 7 Servicing.

If the suction output of the unit decreases and is not improved after the filter cassettes ⑫ are cleaned, (assuming the tank ⑦ is empty and the paper filter bag ⑭ has been exchanged), then it is time to exchange the filter cassettes ⑫.

Apply the vibration function to the filter cassettes ⑫ again before exchanging them. Use a coin or another similar object to turn the catch ⑤ on the locking bar ④ 90° in an anticlockwise direction and then press the locking bar ④ backwards. Fold up the hood and lift out the filter cassettes ⑫. Immediately seal the removed filter cassettes in a dust-proof plastic bag and dispose of as per the statutory regulations. Insert new filter cassettes. Fold down the hood again and exert a little pressure to click it back into position.



If the motor protection filter ⑬ is soiled, this is an indication that the filter cassettes are defective. Please exchange both filter cassettes. Wash out the motor protection filter under running water, dry and re-insert.



#### Note!

Regularly clean the water level sensors ① and examine them for signs of damage.

## 8 Troubleshooting.

Functional problems are not always the result of unit defects!

Malfunction:	Possible cause/ remedy:
Suction output impaired.	Soiled filter → clean. Paper filter full → exchange. Tank is full → empty. Nozzle, pipe or hose is blocked → clean.
Unit will not start.	Plug in the power socket? No mains power? Power cable OK? Unit hood closed properly? Has the water sensor switched off?

Do not intervene further, contact a customer service workshop.

## 9 Accessories.

### Storage

Fix the suction pipes by inserting them into the special recesses on the reverse of the tank.

## 10 Technical data

		VC25/1400	VC50/1400
voltage	Volt (V) ~	220–240	220–240
nominal output	Watt	1200	1200
mx output	Watt	1400	1400
frequency	Hertz (Hz)	50/60	50/60
air flow*	m <sup>3</sup> /h/MG	220	220
low pressure*	hPa/MG	248	248
air flow**	m <sup>3</sup> /h/SE	--	--
low pressure**	hPa/SE	--	--
sound pressure	dB (A)	69,5	69,5
(l x b x h)	cm	45,7 x 40 x 54	58,7 x 47 x 64
weight	kg	12,7	17,7

\*on the blower

\*\*on the hose

Connecting cable for appliances with socket: H05V V F 3x1.5

## 11 Warranty

See general warranty conditions printed on the attached sheet.

We declare in our own sole responsibility that this product complies with the EU directives and definitive standards: machinery and amending Directive 2006/42/EG with amendments, electromagnetic compatibility directive 2004/108/EG with amendments.



Old appliances contain valuable materials that can be recycled. Do not dispose of such appliances with the normal domestic waste but rather by way of appropriate collecting points.



## Español

Aparato:	Aspirador para aspirado en seco y en mojado
Tipo:	VC25/1400, VC50/1400
La construcción del aparato cumple las siguientes normas	Directiva sobre máquinas de la CE 2006/42/CE Directiva CE CEM 2004/108/CE
Normas armonizadas utilizadas	EN 12100-1, EN-12100-2, EN 60335-1, EN 60335-2-69, EN 55014-1, EN 55014-2, EN 61000-3-2
Normas y especificaciones técnicas nacionales utilizadas	DIN EN 60335-1, DIN EN 60335-2-69

Antes de la puesta en marcha del aspirador, lea atentamente el manual de instrucciones. Éste le ofrece indicaciones importantes referentes al manejo, seguridad, así como mantenimiento y cuidado. Guarde el manual de instrucciones con cuidado y, si vende el aparato, entréguelo al siguiente propietario.

El fabricante se reserva el derecho a efectuar modificaciones en la estructura y el equipamiento. No se permite realizar trabajos distintos a los descritos en este manual de instrucciones.

## 1 Indicaciones de seguridad

### ¡Advertencia!

- ▶ Los aspiradores VC25/1400, VC50/1400 no son adecuados para aspirar o absorber polvo peligroso para la salud.

### ¡Advertencia!

- ▶ Las personas (incluidos niños) que no puedan usar el aspirador de forma segura debido a sus capacidades psíquicas, sensoriales o mentales o debido a su inexperiencia o desconocimiento, no deberán usarlo sin la supervisión o la instrucción de un responsable
- ▶ En el caso de niños, ancianos o personas débiles se ruega prestar especial cuidado.
- ▶ No dirija la tobera, la manguera o el tubo hacia personas o animales.

### ¡Peligro!

- ▶ No se permite utilizar el aspirador en espacios con riesgo de explosión.

- ▶ Mantenga el aspirador alejado de gases y sustancias inflamables..

### ¡Peligro!

- ▶ No se permite aspirar disolventes inflamables o explosivos, materiales empapados con disolventes, polvo potencialmente explosivo, líquidos como gasolina, petróleo, alcohol ni diluyentes o materiales con una temperatura superior a 60 °C.
- ▶ ¡De lo contrario, existe peligro de explosión e incendio!

### ¡Peligro!

- ▶ Utilice la caja de enchufe disponible en el aspirador exclusivamente para los fines establecidos en el manual de instrucciones.
- ▶ En caso de uso no conforme a la finalidad, manejo inadecuado o reparaciones no realizadas de manera profesional, el fabricante declina toda responsabilidad por posibles daños.
- ▶ No utilice cables de prolongación dañados.
- ▶ Si el cable de conexión del aspirador sufre daños, será preciso sustituirlo por un cable de conexión especial suministrable por el fabricante o por su servicio de atención al cliente.
- ▶ La tensión indicada en la placa de características debe coincidir con la tensión de red.
- ▶ Desconecte el aspirador y extraiga el conector de red tras cada uso y antes de iniciar el mantenimiento del aspirador.
- ▶ Tire solo del conector de red, nunca del cable de conexión.
- ▶ No introduzca ni extraiga nunca el conector de red con las manos húmedas.
- ▶ El suministro de corriente debe asegurarse mediante un fusible con la intensidad de corriente adecuada.
- ▶ No abra nunca el aspirador en espacios abiertos si está lloviendo o hay una tormenta.

### ¡Peligro!

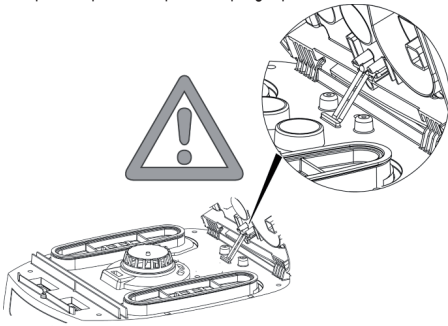
- ▶ Peligro de asfixia
- ▶ No permita que los niños jueguen con el material de embalaje (p. ej. bolsa de plástico).
- ▶ No se suba encima ni se siente sobre el aspirador.
- ▶ Preste especial precaución al aspirar escaleras. Compruebe que la posición en la que se encuentra es segura..
- ▶ Evite tirar del cable de conexión y la manguera de aspiración sobre bordes afilados, así como doblarlos o que queden atrapados.
- ▶ Disponga el cable de conexión y la manguera de aspiración de tal forma que nadie pueda tropezar con los mismos.
- ▶ Si empieza a salir espuma o líquido del aspirador, desconéctelo de inmediato.
- ▶ Mantenga siempre seca la parte interior de la tapa.
- ▶ No ponga el aspirador ni sus accesorios en funcionamiento si:
  - el aspirador presenta daños visibles (fisuras/roturas),
  - el cable de conexión a la red se encuentra defectuoso o presenta fisuras o signos de envejecimiento,
  - se sospecha un defecto no visible (tras una caída).

### ¡Advertencia!

- ▶ Utilice sólo los cepillos que acompañan al aspirador o determinados en el manual de instrucciones. Utilizar otros cepillos puede afectar a la seguridad.
- ▶ Limpie y desinfecte el aspirador inmediatamente después de usarlo a fin de evitar la formación de gérmenes debida a la falta de limpieza durante un largo periodo, especialmente si utiliza el aspirador en empresas de transformación de alimentos.
- ▶ No utilice para la limpieza aparatos con chorro de vapor ni aparatos de limpieza a alta presión.
- ▶ Los ácidos, acetona y disolventes pueden corroer las piezas del aspirador.
- ▶ No deje el aparato sin vigilancia. Extraiga el conector de red en caso de interrupción prolongada del trabajo. No limpie los cartuchos de filtro con aire comprimido.

### ¡Peligro!

- ▶ Encargue las reparaciones exclusivamente a profesionales, p. ej. servicio de atención al cliente. Utilice solo piezas de repuesto originales.
- ▶ Si las reparaciones se realizan de forma no profesional, los aparatos pueden suponer un peligro para el usuario.



## 2 Antes de usar el aparato

Revise al desembalar el aparato que dispone de todas las piezas y que no se hayan producido daños durante el transporte.

Lea con cuidado todas las informaciones, encontrará indicaciones importantes para el uso, la seguridad y el mantenimiento y cuidado. Guarde las instrucciones en sitio seguro y entréguelas, en su caso, al siguiente propietario. Nos reservamos el derecho a introducir modificaciones en la construcción y el equipamiento.

## 3 Aplicaciones.

El aspirador ha sido concebido para el uso industrial. Aplicación ideal en combinación con una herramienta eléctrica, en obras, en talleres, etc. Para limpieza en seco y en mojado.

## 4 Puesta en marcha.

Con el interruptor ②a en la tapa superior ① encienda y apague el aparato (o posicionarlo en funcionamiento automático – ver Punto 4.1).

## 4.1 Mandos (ver dibujos).

Dependiendo del modelo se pueden seleccionar las siguientes funciones y ajustes:

**0** = aspirador >apagado<

**I** = aspirador >encendido<

**A** =Preparado para encendido / apagado automático. (el aspirador se enciende y apaga con la herramienta eléctrica)

**R** = Función de limpieza del filtro; en esta posición se pone en marcha el vibrador durante aproximadamente 10 segundos y se apaga después automáticamente.

**RA** = posición de preparado como limpieza de filtro automático „A“ plus.

El enchufe ②b está previsto para la conexión de una herramienta eléctrica.

### ¡Atención!

Al realizar la conexión la herramienta eléctrica debe estar apagada. Si el aspirador está conectado al suministro eléctrico el enchufe tendrá corriente eléctrica independientemente de la posición del interruptor. De este modo puede utilizarse este enchufe como alargadera (por ejemplo, para una lámpara) incluso estando el interruptor del aspirador en posición „0“.

Capacidad del enchufe: aspirador y aparato conectado máx. 16 A.

Con el mando de ajuste de las revoluciones ②d puede regularse sin intervalos la potencia del aparato.

Los orificios de aspiración de las herramientas eléctricas no se encuentran regulados todavía en la normativa. Por este motivo ponemos a su disposición el adaptador (manguito de goma o manguito de goma) que, mediante acortamiento, puede adaptarse a la herramienta eléctrica correspondiente.

## 5 Tareas [aspirado en seco y en mojado].

Si se utiliza el tubo de sujeción puede ajustarse la potencia de aspirado mediante la pequeña tapa corredera de salida de aire.

### 5.1 Aspirado en seco.

Aspirar siempre con el filtro, el aparato y los accesorios bien secos para evitar que el polvo se adhiera y se endurezca. Al aspirar hollín, cemento, yeso, harina o materiales similares, recomendamos utilizar una bolsa de filtro de papel. Utilizar las bolsas de papel siempre con un cajas de filtro.

### 5.2 Aspirado en mojado.

Aspirar sin bolsa de filtro de papel. Los cartuchos de filtros están previstos para el aspirado en mojado. Gracias al sensor incorporado el motor se apaga cuando el depósito está lleno. Vaciar el aparato siguiendo las instrucciones recogidas en 5.4. Si no se apaga el aparato, se mantiene activa la protección contra encendido involuntario. Por este motivo el aparato no volverá a ponerse en marcha hasta que lo apague y vuelva a encenderlo.

- Antes de vaciarlo extraer la manguera de aspiración del líquido.

- Debido a la gran potencia de aspiración y a la forma del depósito puede retornar algo de agua en la manguera una vez desconectado el aparato.
- Si después se realiza una aspiración en seco, colocar filtros secos. En caso de que pase a menudo de aspirado en seco a mojado y viceversa le recomendamos utilizar un segundo conjunto de filtros, preferiblemente Cajas de filtros de poliéster.

### 5.3 Limpieza del filtro

Los aspiradores disponen de una limpieza electromagnética de filtro con la que se elimina por vibración el polvo adherido a los cajas de filtros pegados.

#### 5.3.1 Limpieza manual.

Debe ponerse en marcha el vibrador (posición del interruptor R o RA / Interruptor ②a) a más tardar en el momento que se encienda el indicador eléctrico de llenado ②c (luz de aviso) o cuando escuche la señal sonora de aviso o cuando se note pérdida de potencia de aspiración.

#### 5.3.2 Limpieza automática (vibración automática)

Esta limpieza de filtro se inicia automáticamente, en el momento en el que se interrumpa el aspirado, en caso de que el caudal de aire se hubiera reducido por debajo del nivel ajustado (posición del interruptor RA/interruptor ②a).

### 5.4 Vaciado del depósito.

**Sólo autorizado con polvo con VLA (AGW) >1 mg/m³.**

Apagar ②a, extraer el enchufe ⑥, abrir los pestillos ⑨, extraer la tapa superior ① y el tubo de aspiración del depósito ⑦. Vaciar el depósito.

### 5.5 Bolsa de filtro de papel.

Para introducir o extraer el filtro de papel / bolsa de vaciado extraer la tapa superior (Pos. ①). Para ello abrir los pestillos laterales (Pos. ⑨). Utilizar los filtros de papel sólo para el aspirado en seco.

#### 5.5.1 Introducir el filtro de papel.

- **Depósito de 25 y 50 litros** Colocar el reborde sobre el orificio de aspiración

#### 5.5.2 Cambiar el filtro de papel.

Extraer con cuidado la brida de la apertura de aspiración y cerrar herméticamente. Conectar el motor antes de terminar para poder aspirar posibles partículas de polvo que se encuentren en el aire (ver gráfico Página 4). Desechar el material aspirado conforme a las regulaciones legales.

## 6 Limpieza.

Limpiar con agua el depósito y los accesorios. Limpiar la tapa 1 con un paño húmedo. Dejar que el depósito y los accesorios se sequen al aire.

## 7 Mantenimiento.

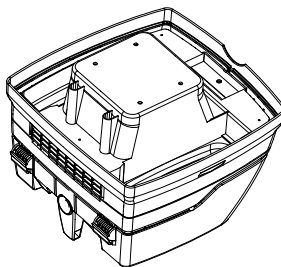
Será necesario cambiar los cartuchos de filtros ⑫ cuando disminuya la eficacia de aspiración, y si ésta no mejora con la limpieza de los cajas de filtros ⑫ (siempre que el depósito ⑦ se haya vaciado y se haya sustituido el filtro de papel ⑬).

Limpiar una vez más mediante vibración los cartuchos de filtros ⑫ antes de cambiarlos. Usando una moneda o utensilio similar girar 90° en dirección contraria a las agujas del reloj el cierre ④ del pestillo ④ y presionar el pestillo ④ hacia atrás. Levantar la tapa y extraer hacia arriba los cajas de filtros ⑫.

Recoger inmediatamente las cajas de filtro extraídas en una bolsa de plástico hermética al polvo y desechar de acuerdo a las estipulaciones legales.



Si el filtro de protección del motor ⑬ estuviera sucio, puede indicar que la caja de filtros está defectuosa. Cambie la caja de filtros. Limpiar el filtro de protección del motor con agua corriente, secar y volver a colocar.



### Nota!

Limpie los sensores de nivel de agua ① regularmente y compruebe si presentan daños.

## 8 En caso de avería.

Los fallos de funcionamiento no siempre se deben a defectos del aparato.

Avería:	Posible causa/Reparación:!
<b>Reducción de la eficacia de aspiración</b>	Filtros sucios → limpiar. Filtro de papel lleno → cambiar. Depósito lleno → vaciar. Atasco en la boquilla, los tubos o el manguito → limpiar.

<b>El aparato no enciende</b>	¿Enchufe conectado? ¿Corriente en la red? ¿Cable de conexión en buen estado? ¿Tapa del aparato bien cerrada? ¿El sensor de agua ha desconectado el aparato?
<b>La bolsa de plástico se adhiere a los filtros</b>	Colocar el selector giratorio en la posición ●. Ver Punto 5.5.3
<b>Con el filtro de papel colocado polvo en el depósito aspiradores M o H</b>	Colocar el selector giratorio en la posición ▲. Ver Punto 5.5.1

No realizar otras manipulaciones, en caso de que no se arregle, póngase en contacto con el servicio técnico correspondiente.

## 9 Accesorios

Los accesorios y sus correspondientes números para pedido, están reflejados en nuestros catálogos.

## Conservación

Fijar los tubos de aspiración introduciéndolos en las aberturas previstas para ellos en la pared posterior del depósito.

## 10 Datos técnicos.

		VC25/1400	VC50/1400
Tensión	Volt (V) ~	220-240	220-240
Potencia nominal	Vatio	1200	1200
Potencia máx.	Vatio	1400	1400
Frecuencia	Hertz (Hz)	50/60	50/60
Corriente de aire*	m <sup>3</sup> /h/MG	220	220
Bajopresiónk*	hPa/MG	248	248
Corriente de aire**	m <sup>3</sup> /h/SE	--	--
Bajopresiónk **	hPa/SE	--	--
Presión sonora	dB (A)	69,5	69,5
Masa (l x b x h)	cm	45,7 x 40 x 54	58,7 x 47 x 64
Peso	kg	12,7	17,7
Servicio especificado vida	años	7	7

\*en el ventilador

\*\*en el tubo

Cable de conexión para aparatos con caja de enchufe: H05V V-F 3x1,5

## 11 Garantía

Ver condiciones generales de concesión de Garantía en impreso anexo a estas instrucciones.

Bajo nuestra exclusiva responsabilidad declaramos que este producto es conforme con las directivas de la CE y normas relevantes: Directiva sobre máquinas 2006/42/CE con modificaciones, directiva de CEM 2004/108/CE con modificaciones.



Los aparatos viejos contienen materiales útiles apropiados para el reciclaje. No tire el aparato a la basura doméstica habitual sino deposítelo por favor en el contenedor de reciclaje correspondiente.

## France

Désignation:	Aspirateur pour une utilisation à l'état mouillé et sec
Type:	VC25/1400, VC50/1400
Les appareils de ce type satisfont aux dispositions correspondantes suivantes	Directive Machines CE 2006/42/CE Directive CE CEM 2004/108 CE
Normes harmonisées appliquées	EN 12100-1, EN-12100-2, EN 60335-1, EN 60335-2-69, EN 55014-1, EN 55014-2, EN 61000-3-2
Normes nationales appliquées et spécifications techniques	DIN EN 60335-1, DIN EN 60335-2-69

Lire minutieusement les instructions de service avant la mise en service de l'aspirateur. Elles fournissent d'importantes instructions sur le maniement, la sécurité ainsi que sur la maintenance et l'entretien. Ranger les instructions de service à un endroit sûr et les remettre au propriétaire suivant en cas de vente.

Le fabricant se réserve le droit de modifier la construction et l'équipement. Il est interdit d'effectuer d'autres travaux que ceux décrits dans ces instructions de service.

### 1 Consignes de sécurité

#### Avertissement !

- ▶ Les aspirateurs VC25/1400, VC50/1400 ne sont pas appropriés pour l'aspiration de poussières présentant des risques pour la santé.

#### Avertissement!

- ▶ Les personnes (y compris les enfants), n'étant pas en mesure, en raison de leurs aptitudes physiques, sensorielles ou spirituelles ou de leur inexpérience ou ignorance, d'utiliser l'aspirateur de manière fiable, ne doivent pas utiliser cet aspirateur sans la surveillance ou les instructions d'une personne responsable.
- ▶ Une prudence toute particulière est nécessaire pour des enfants, des personnes âgées ou infirmes.
- ▶ Ne jamais diriger la buse, le flexible ou le tube sur des personnes ou des animaux.

#### Danger!

- ▶ Ne jamais exploiter l'aspirateur dans des pièces à risque d'explosion.

- ▶ Maintenir l'aspirateur à l'écart de gaz et de substances inflammables.

#### Danger!

- ▶ Ne jamais aspirer des solvants combustibles ou explosifs, des biens imbibés de solvant, des poussières explosibles, des liquides tels que de l'essence, de l'huile, de l'alcool, du diluant ou des matières plus chaudes que 60 °C.
- ▶ Risque d'explosion et d'incendie si ces conditions ne sont pas respectées !

#### Danger!

- ▶ Utiliser la prise figurant sur l'aspirateur uniquement aux fins déterminées dans les instructions de service.
- ▶ Le fabricant décline toute responsabilité pour d'éventuels dégâts résultant de changement d'affectation, de maniement incorrect ou de réparation incompétente.
- ▶ Ne jamais utiliser des rallonges endommagées.
- ▶ Si le câble d'alimentation de l'aspirateur est endommagé, il doit être remplacé par un câble d'alimentation particulier disponible chez le fabricant ou son service après-ventes.
- ▶ La tension sur la plaque signalétique doit concorder avec la tension du réseau.
- ▶ Mettre l'aspirateur hors marche et débrancher la fiche secteur après chaque utilisation et avant chaque maintenance.
- ▶ Toujours tirer sur la fiche secteur et jamais sur le câble d'alimentation.
- ▶ Ne jamais brancher ni débrancher la fiche secteur avec des mains humides.
- ▶ L'alimentation en courant doit être protégée au moyen d'un fusible à intensité de courant appropriée.
- ▶ Ne jamais ouvrir l'aspirateur à l'air libre en cas de pluie ou d'orage.

#### Danger!

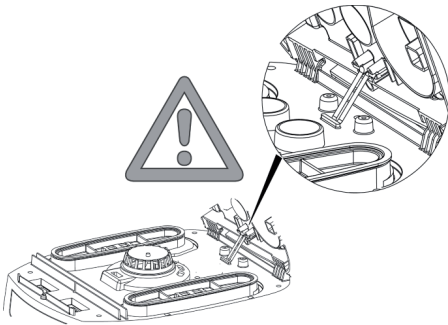
- ▶ Risque d'asphyxie
- Tenir le matériel d'emballage, tel que le sachet plastique, à l'écart des enfants.
- ▶ Ne jamais monter sur l'aspirateur ni s'asseoir dessus.
- ▶ Procéder avec extrême précaution lors de l'aspiration d'escaliers. Veiller à garantir un maintien fiable.
- ▶ Ne pas poser le câble d'alimentation ni le flexible d'aspiration au-dessus de bords tranchants, ne pas les plier ni les coincer.
- ▶ Toujours poser le câble d'alimentation et le flexible d'aspiration de manière à éviter des points de trébuchement.
- ▶ Immédiatement mettre l'aspirateur hors marche si de la mousse ou du liquide s'échappent de l'appareil.
- ▶ Veiller à ce que l'intérieur du couvercle soit toujours sec.
- ▶ Ne pas mettre l'aspirateur, y inclus accessoires, en service si:
  - l'aspirateur possède des dégâts visibles (fissures/ ruptures),
  - le câble d'alimentation est défectueux ou qu'il est fissuré ou possède des traces d'usure,
  - un défaut invisible est soupçonné (après une chute par exemple).

## Avertissement !

- ▶ Utiliser uniquement les brosses montées sur l'aspirateur ou celles déterminées dans les instructions de service. L'utilisation d'autres brosses risque d'enlever la sécurité.
- ▶ Immédiatement nettoyer et désinfecter l'aspirateur après l'utilisation afin d'éviter tous risques de contamination microbienne suite à la non réalisation de travaux de nettoyage sur un long terme, tout particulièrement lors de l'utilisation dans des entreprises de transformation alimentaire.
- ▶ Ne jamais utiliser d'appareils à jet vapeur ni de nettoyeurs haute pression pour le nettoyage.
- ▶ Les acides, l'acétone et les solvants risquent d'attaquer des pièces de l'aspirateur.
- ▶ Ne jamais laisser l'appareil sans surveillance. Toujours débrancher la fiche secteur en cas de non-utilisation pendant une durée plus longue.
- ▶ Ne pas nettoyer les cassettes à filtre à l'air comprimé.

## Danger !

- ▶ Ne faire exécuter des travaux de réparation que par du personnel spécialisé, tel que par exemple le service après-vente. N'utiliser que des pièces de rechange d'origine.
- ▶ Des appareils réparés de manière incompétente présentent des dangers pour l'utilisateur.



## 2 Avant l'utilisation

Au moment du déballage, veuillez contrôler l'intégralité de la livraison et si elle présente des dommages dus au transport. Lisez toutes les informations attentivement. Elles vous fournissent des consignes importantes pour l'utilisation, la sécurité mais aussi l'entretien et la maintenance. Veuillez conserver soigneusement ce mode d'emploi et le remettre éventuellement à un éventuel nouveau propriétaire de l'appareil. Nous nous réservons le droit d'apporter des modifications à la construction et à l'équipement.

## 3 Domaines d'utilisation

L'aspirateur est destiné à l'utilisation professionnelle. Il est le produit idéal en combinaison avec un outil électrique, pour une utilisation sur les chantiers, dans les ateliers etc. Pour aspirer mouillé et à sec.

## 4 Mise en service.

Mettre l'appareil en/hors marche avec l'interrupteur ②a se trouvant sur la partie supérieure ① (ou le commuter en mode automatique – voir point 4.1.).

### 4.1 Panneau de commande.

Les fonctions et réglages suivants peuvent être sélectionnés selon l'équipement:

**0** = aspirateur >Arrêt<

**I** = aspirateur >Marche<

**A** = Disponibilité pour l'automatisme de mise en/hors marche. (L'aspirateur est mis en et hors marche par l'outil électrique)

**R** = Fonction de nettoyage du filtre; dans cette position, le secoueur est mis en marche pendant env. 10 s et se met ensuite automatiquement hors service.

**RA** = Mode de disponibilité comme „A“ plus nettoyage automatique du filtre.

La prise ②b est prévue pour le branchement d'un outil électrique.

### Attention!

L'outil électrique doit se trouver hors service au moment du branchement. Lorsque la fiche secteur est branchée, la prise est toujours sous tension, quelle que soit la position de l'interrupteur. Lorsque l'interrupteur se trouve sur la position »0«, la prise de courant pourrait être ainsi utilisée comme rallonge (pour une lampe p. ex. ). Puissance: aspirateur et appareil raccordé max. 16 A. La puissance d'aspiration peut être adaptée en continu avec le régulateur de vitesse ②d.

Les ouvertures d'aspiration des outils électriques ne sont pas encore normées. C'est pourquoi il existe un adaptateur (buse caoutchoutée ou manchon caoutchouté) qui peut être adapté à l'outil électrique respectif en le raccourcissant.

## 5 Fonctionnement [aspiration à l'état mouillé et sec]

La puissance d'aspiration peut être adaptée avec le coulisseau à air additionnel.

### 5.1 Aspiration à l'état sec.

L'aspiration doit uniquement être effectuée avec un filtre, un appareil et un accessoire sec afin que la poussière n'y adhère pas et ne forme pas de croûtes. Si de la suie, du ciment, du plâtre, de la farine ou d'autres poussières similaires sont aspirées, nous recommandons d'utiliser un filtre en papier. Le filtre en papier doit toujours être utilisé en combinaison avec des cartouches filtrantes.

## 5.2 Aspiration à l'état mouillé,

L'aspiration s'effectue sans filtre en papier. Les cartouches filtrantes conviennent à une aspiration à l'état mouillé. Le capteur intégré met le moteur hors service lorsque le contenant est plein. L'appareil doit être vidé comme décrit sous 5.4. Si l'appareil n'est pas mis hors service, la protection au redémarrage reste efficace. C'est uniquement après la mise hors service et la remise en service que l'appareil est à nouveau prêt à fonctionner.

- Avant le vidage, retirer tout d'abord le flexible d'aspiration du liquide.
- En raison de la puissance d'aspiration élevée et de la forme du contenant favorable à l'écoulement, de l'eau peut réaffluer dans le flexible après la mise hors service.
- Utiliser un filtre sec lors de l'aspiration à sec suivante. Lors d'une alternance fréquente entre l'aspiration à sec et l'aspiration mouillée, nous recommandons d'utiliser un deuxième jeu de filtres, de préférence des cartouches filtrantes polyester.

## 5.3 Nettoyage du filtre.

Les aspirateurs sont équipés d'un dispositif de nettoyage de filtre électromagnétique permettant d'évacuer la poussière qui adhère aux cassettes filtrantes à plis par secouage.

### 5.3.1 Nettoyage manuel

Le secouage (position de l'interrupteur R ou RA/commutateur ②a devrait être au plus tard actionné lorsque l'affichage du flux volumique ②c (lampe témoin) s'allume ou lorsque la tonalité d'avertissement se fait entendre ou lorsque la puissance d'aspiration baisse.

### 5.3.2 Nettoyage automatique (secouage automatique)

Ce nettoyage de filtre s'effectue automatiquement lorsque le flux volumique minimal réglé est atteint au cours de la prochaine pause de travail (position de l'interrupteur RA/interrupteur ②a).

## 5.4 Vidage du contenant.

**Permis seulement en relation avec des poussières contenant des AGW > 1 mg/m<sup>3</sup>.**

Mettre l'interrupteur ②a hors service, débrancher la conduite de branchement ⑥, ouvrir les fermetures à crans ⑨, retirer la partie supérieure ① et le flexible d'aspiration du contenant ⑦. Vider le contenant.

## 5.5 Filtre en papier.

Pour mettre en place ou retirer le filtre/le filtre à vider, retirer la partie supérieure ①.

A cette fin, ouvrir les fermetures latérales ⑩. N'utiliser les filtres en papier que pour l'aspiration à l'état sec.

## 5.5.1 Utilisation des filtres en papier.

- **Cuve de 25 et de 50 litres.** Pousser la bride sur l'ouverture d'aspiration.

## 5.5.2 Remplacement des filtres en papier

Tirer la bride avec précaution de la tubulure d'aspiration et la fermer. Allumer le moteur avant de ranger afin que des poussières lourdes éventuelles puissent être aspirées (cf. graphique page 4). Eliminer le produit aspiré conformément aux prescriptions légales.

## 6 Nettoyage.

Nettoyer le contenant et l'accessoire avec de l'eau. Essuyer la partie supérieure 1 avec un chiffon humide. Laisser sécher le contenant et l'accessoire.

## 7 Entretien.

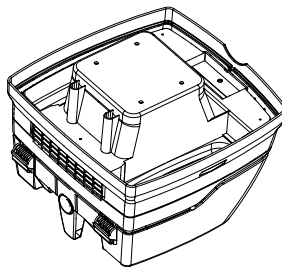
Si la puissance d'aspiration de l'aspirateur baisse et si le nettoyage des cartouches filtrantes ⑫ ne permet également pas d'augmenter la puissance d'aspiration (à condition que le contenant ⑦ ait été vidé et que le filtre en papier ⑭ ait été remplacé), il est alors nécessaire de remplacer les cartouches filtrantes ⑫.

Secouer encore une fois les cassettes filtrantes ⑫ avant de remplacer le filtre. Avec une pièce de monnaie ou un objet similaire, tourner la fermeture ⑤ sur le verrou ④ de 90° dans le sens contraire aux aiguilles d'une montre et appuyer sur le verrou ④ vers l'arrière.

Ouvrir le clapet et dégager les cartouches filtrantes w par le haut. Mettre immédiatement les cassettes de filtre enlevées dans un sac en plastique, le fermer et les éliminer conformément. Mettre les nouvelles cartouches filtrantes en place. Rabattre le clapet et le bloquer en appuyant légèrement dessus.



Si le filtre de protection moteur e devait être encrassé, ceci signifie que les cassettes filtrantes sont défectueuses. Veuillez remplacer les cassettes filtrantes. Laver le filtre de protection moteur à l'eau courante, le sécher et le remettre en place.



## Remarque

Nettoyer régulièrement les capteurs de niveau d'eau ① et les examiner pour constater d'éventuels signes d'endommagement.

## 8 Dérangements

Les dérangements ne sont pas toujours dus à des défauts de l'appareil!

Dérangement:	Cause possible/remède:
<b>Baisse de la puissance d'aspiration.</b>	Filtre encrassé → Le nettoyer.  Filtre en papier plein → Le remplacer.  Contenant plein → Le vider.  Buse, tube ou flexible bouché → Les nettoyer.
<b>L'appareil ne démarre pas.</b>	Fiche branchée?  Secteur sans tension?  Câble secteur correct?  Clapet de l'appareil correctement fermé?  Mise hors service du capteur d'eau?

Ne pas effectuer d'autres interventions mais faire appel au service après-vente.

## 9 Accessoires

Les accessoires et leurs références sont répertoriés dans nos catalogues.

Fixer les tubes d'aspiration en les mettant en place dans les évidements prévus au dos du contenant.

## 10 Caractéristiques techniques

		VC25/1400	VC50/1400
Tension	Volt (V) ~	220-240	220-240
Puissance nominale	Watt	1200	1200
Puissance maxi.	Watt	1400	1400
Fréquence	Hertz (Hz)	50/60	50/60
Courant d'air*	m³/h/MG	220	220
Dépression *	hPa/MG	248	248
Courant d'air**	m³/h/SE	--	--
Dépression **	hPa/SE	--	--
Pression acoustique	dB (A)	69,5	69,5
(l x b x h)	cm	45,7 x 40 x 54	58,7 x 47 x 64

Poids	kg	12,7	17,7
Durée de vie spécifiée	an	7	7

\*sur la soufflante \*\*sur le flexible

Câble de raccordement pour les appareils avec prise de courant: H05V V-F 3 x 1,5

## 11 Garantie

Consulter les conditions générales de Garantie sur l'imprimé annexe à ces instructions.

Nous déclarons sous notre responsabilité exclusive que ce produit concorde avec les directives CE et les normes applicables: Directive Machines 2006/42/CE avec modifications, directive CEM 2004/108/CE avec modifications.



Les anciens appareils contiennent des matériaux de valeur, qui sont bien appropriés au recyclage. Ne pas jeter l'appareil avec les ordures ménagères, mais au contraire les éliminer comme il se doit par des systèmes de collecte bien appropriés..



## Italiano

Prodotto:	aspiratore per polvere e liquidi
Modello:	VC25/1400, VC50/1400
Il sistema costruttivo degli apparecchi corrisponde alle disposizioni in materia di seguito indicate	Direttiva macchine CE 2006/42/CE Direttiva CE CEM 2004/108 CE
Norme armonizzate applicate	EN 12100-1, EN-12100-2, EN 60335-1, EN 60335-2-69, EN 55014-1, EN 55014-2, EN 61000-3-2
norme nazionali applicate e specifiche tecniche	DIN EN 60335-1, DIN EN 60335-2-69

Prima della messa in funzione dell'aspiratore leggere attentamente queste istruzioni d'uso. Esse forniscono importanti indicazioni sull'utilizzo e la sicurezza nonché sulla manutenzione e la cura dell'apparecchio. Custodire con cura le istruzioni d'uso e consegnarle all'eventuale proprietario successivo. Il produttore si riserva il diritto di apportare eventuali modifiche di progettazione e dotazione.

Come descritto in queste istruzioni d'uso, non è consentito eseguire altri interventi.

## 1 Indicazioni di sicurezza

### Avvertenza!

- ▶ I Gli aspiratori VC25/1400, VC50/1400 non sono adatti all'aspirazione/assorbimento di polveri nocive alla salute.

### Avvertenza!

- ▶ Coloro (inclusi i bambini) che, come conseguenza delle proprie facoltà fisiche, sensoriali o intellettuali o a causa della propria inesperienza o non conoscenza, non sono in grado di utilizzare in sicurezza l'apparecchio, non devono farne uso senza la sorveglianza o la guida di una persona responsabile.
- ▶ Nel caso di bambini, anziani o invalidi è necessario prestare particolare attenzione.
- ▶ Non puntare la bocchetta di aspirazione, il flessibile o il tubo su persone o animali.

### Pericolo!

- ▶ Non mettere in funzione l'aspiratore in ambienti potenzialmente esplosivi.
- ▶ L'aspiratore non può essere usato in presenza di gas e sostanze infiammabili.

### Pericolo!

- ▶ Non è ammesso aspirare solventi infiammabili o esplosivi, materiale imbevuto di solvente, polveri esplosive, liquidi come benzina, olio, alcol, diluenti o materiali con temperature superiori a 60 °
- ▶ In caso contrario esiste il pericolo d'incendio e di esplosione!

### Pericolo!

- ▶ Utilizzare la presa sull'aspiratore solo per gli impieghi previsti nelle istruzioni d'uso.
- ▶ In caso di uso non conforme alla destinazione di utilizzo, di utilizzo non appropriato oppure di riparazione non a regola d'arte, non viene assunta alcuna responsabilità per eventuali danni conseguenti.
- ▶ Non utilizzare prolunghe danneggiate.
- ▶ Se il cavo di alimentazione dell'aspiratore viene danneggiato, occorre sostituirlo con un'altro, disponibile presso il produttore o il servizio di assistenza.
- ▶ La tensione indicata sulla targhetta deve corrispondere alla tensione di rete.
- ▶ Dopo l'uso e prima di procedere a qualsiasi intervento spegnere l'aspiratore e staccare la spina.
- ▶ Non staccare la spina tirando direttamente il cavo di alimentazione.
- ▶ Non inserire mai o togliere la spina con le mani bagnate.
- ▶ L'erogazione di energia deve essere garantita tramite un dispositivo di sicurezza con intensità di corrente adeguata.
- ▶ In caso di pioggia o temporale non aprire mai l'aspiratore se all'aperto.

### Pericolo!

- ▶ Pericolo di soffocamento
- ▶ Il materiale di imballaggio, come sacchetti di plastica, deve essere tenuto fuori dalla portata dei bambini.
- ▶ Non salire mai o sedersi sull'aspiratore.
- ▶ Si richiede una particolare attenzione durante la pulizia di scale. Garantire condizioni di stabilità..
- ▶ Non fare passare, piegare o incastrare il cavo di alimentazione e il tubo flessibile di aspirazione su spigoli taglienti.
- ▶ Posizionare sempre il cavo di alimentazione e il tubo flessibile di aspirazione in modo che nessuno possa inciampare.
- ▶ In caso di fuoriuscita di schiuma o di liquidi spegnere immediatamente l'aspiratore..
- ▶ Mantenere sempre asciutto l'interno del coperchio.
- ▶ Non mettere in funzione l'aspiratore e gli accessori se:
  - l'aspiratore presenta danni visibili (crepe/incrinature),
  - il cavo di rete è difettoso oppure mostra screpolature o usura,
  - esiste il sospetto di difetto non visibile (dopo un urto).

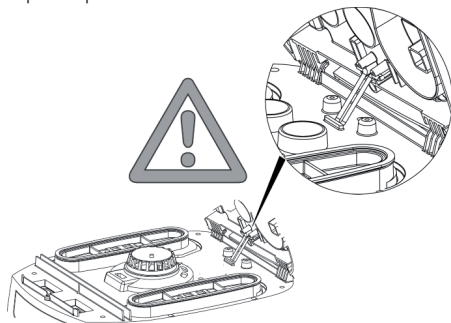
### Avvertenza!

- ▶ Utilizzare solo le spazzole in dotazione con l'aspiratore o quelle indicate nelle istruzioni d'uso. L'impiego di un altro tipo di spazzole può pregiudicare la sicurezza.

- Pulire e disinfettare l'aspiratore subito dopo l'utilizzo per prevenire eventuali contaminazioni dovute a una mancata pulizia, in particolare se si utilizza l'apparecchio nel settore alimentare.
- Per la pulizia non usare idropulitrici a vapore o ad alta pressione.
- Acidi, acetone e solventi possono corrodere i componenti dell'aspiratore.
- Non lasciare l'apparecchio incustodito. In caso di interruzione prolungata, staccare la spina.
- Non pulire le cartucce filtro con aria compressa.

### Pericolo!

- Per riparazioni rivolgersi esclusivamente a personale specializzato, come ad es. al servizio di assistenza. Utilizzare solo pezzi di ricambio originali.
- Un apparecchio non riparato a regola d'arte rappresenta un pericolo per l'utilizzatore.



## 2 Prima dell'utilizzo

Durante il disimballaggio, controllare che tutti i componenti siano presenti e non mostrino danni dovuti al trasporto. Leggere con attenzione tutte le informazioni allegate. Infatti contengono importanti indicazioni per l'utilizzo, la sicurezza operativa, la manutenzione e la cura dell'apparecchio. Conservare accuratamente le istruzioni d'uso e, se si rivende l'apparecchio, consegnarle al futuro proprietario. Con riserva di modifiche su componenti ed equipaggiamento.

## 3 Settori applicativi

L'aspiratore è destinato a uso industriale. Ideale in combinazione con un elettro utensile in cantieri, officine, ecc. Per l'aspirazione di polvere e liquidi.

## 4 Messa in esercizio

Non consentito in caso di polveri con valori MAK > 1mg/m<sup>3</sup>. Accendere/spengere l'apparecchio con l'interruttore ②a sulla parte superiore ① (o inserire la modalità automatica - v. punto 4.1.).

## 4.1 Pannello di funzionamento.

In base al modello, si possono selezionare le funzioni e le impostazioni di seguito indicate.

0 = Aspiratore >spento<

I = Aspiratore >acceso<

A = Stand-by per la modalità automatica di acceso/spento. (Si accende e si spegne l'aspiratore dell'utensile elettrico in uso)

R = Funzione di pulizia filtro; con l'interruttore in questa posizione si mette in esercizio per ca. 10 sec. Il vibratore, che poi si spegne automaticamente.

RA = Stand-by come "A" plus Pulizia filtro automatica.

La presa ②b è prevista per il collegamento di un utensile elettrico.

### Attenzione!

Gli utensili elettrici devono essere spenti al momento del collegamento. Con spina di rete inserita, la presa è sempre sotto tensione, indipendentemente dalla posizione dell'interruttore. Con interruttore in posizione "0" si può quindi utilizzare la presa come prolunga (ad es. per l'illuminazione).

Potenza allacciata: aspiratore e apparecchio collegato max. 16 A.

Le bocche di aspirazione degli utensili elettrici non sono ancora standardizzate. Pertanto si dispone di un adattatore (ugello in gomma o muffola in gomma), da adattare, accorciandolo, al relativo utensile elettrico.

## 5 Operazione [ aspirazione di polvere e liquidi ]

Se si utilizza il tubo con impugnatura, si può regolare la potenza di aspirazione con il cursore dell'aria.

### 5.1 Aspirazione di polvere.

Aspirare sempre e solo con filtro, apparecchio e accessori asciutti, per evitare possibili incrostazioni di polvere. Se si aspirano fuliggine, cemento, gesso, farina o polveri analoghe, si consiglia di utilizzare il sacchetto filtro di carta. Utilizzare il sacchetto filtro di carta sempre con cartucce filtro.

### 5.2 Aspirazione di liquidi.

Aspirare senza sacchetto filtro di carta. Per l'aspirazione di liquidi vanno utilizzate le cartucce filtro.

In sensore integrato spegne automaticamente il motore quando il contenitore è pieno. Svuotare l'apparecchio come descritto al punto 5.4. Se non si spegne l'apparecchio, rimane comunque in funzione la protezione antirivavio. L'apparecchio risulta nuovamente pronto per l'esercizio solo dopo averlo spento e nuovamente acceso.

- Prima di procedere alla svuotamento, estrarre il tubo flessibile di aspirazione dal liquido.
- Dopo lo spegnimento potrebbe rifluire un po' d'acqua dal tubo flessibile, data la notevole potenza di aspirazione o la forma del contenitore non particolarmente adatta alla dinamica dei fluidi.

- Se si procede in seguito all'aspirazione di polvere, inserire un filtro asciutto. Se si passa spesso dall'aspirazione di polvere all'aspirazione di liquidi o viceversa, si consiglia l'utilizzo di un secondo set di filtri, preferibilmente cartucce a filtro in poliestere.

### 5.3 Pulizia filtro

Gli aspiratori sono dotati di un dispositivo elettromagnetico di pulizia filtro, che stacca dalla cartuccia del filtro pieghettato i residui di polvere aderitevi. Ciò garantisce un utilizzo ottimale del filtro pieghettato e prolunga i cicli operativi.

#### 5.3.1 Pulizia manuale

Al più tardi all'accensione della spia di indicazione del flusso del volume ②c (segnalatore luminoso), all'emissione del segnale di allarme o se si nota una riduzione della potenza di aspirazione, va azionato il dispositivo vibratore (posizione dell'interruttore R o RA/ interruttore ②a).

#### 5.3.2 Pulizia automatica (vibrazione automatica)

Tale pulizia filtro avviene automaticamente alla prossima interruzione, al raggiungimento del flusso di volume minimo impostato (posizione dell'interruttore RA/interruttore ②a).

### 5.4 Svuotamento del contenitore

**Non consentito in caso di polveri con valori AGW > 1mg/m3.**

Spegnerlo ②a, scollegare la spina ⑥, aprire le chiusure ad incastro ⑦. Estrarre la parte superiore ① e il tubo di aspirazione flessibile dal contenitore ⑦. Svuotare il contenitore.

### 5.5 Sacchetto filtro di carta.

Per inserire o estrarre il sacchetto filtro/sacchetto di scarico, togliere la parte superiore ①.

A tal fine, aprire le chiusure laterali ⑧. Utilizzare i sacchetti filtro di carta solo per l'aspirazione di polveri.

#### 5.5.1 Inserimento del sacchetto filtro di carta

- **Contenitori da 25 e 50 litri Spingere** la flangia sulla bocca di aspirazione.

#### 5.5.2 Sostituzione del sacchetto filtro di carta

Estrarre con precauzione la flangia dal bocchettone di aspirazione e chiuderla. Prima di riporre l'aspiratore accendere il motore per consentire l'aspirazione di eventuali polveri in sospensione (vedi grafica pagina 4).

Smaltire i materiali aspirati nel rispetto delle leggi vigenti.

### 6 Pulizia

Pulire contenitore ed accessori con acqua. Per la parte superiore ①, utilizzare un panno inumidito. Lasciar asciugare contenitore ed accessori con acqua.

## 7 Manutenzione

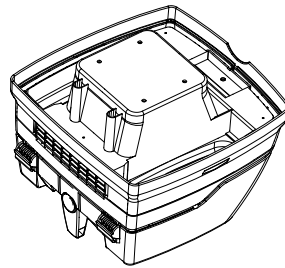
Se la potenza di aspirazione dell'aspiratore si riduce, e anche la pulizia della cartuccia filtro ⑫ non migliora la potenza di aspirazione (con contenitore ⑦ svuotato e nuovo sacchetto filtro di carta ⑭) si dovrà sostituire la cartuccia filtro ⑫.

Prima della sostituzione sottoporre la cartuccia filtro ⑫ a vibrazione. Utilizzando una moneta o un oggetto analogo, ruotare in senso antiorario e di 90° la chiusura ⑤ sul dispositivo di bloccaggio ④, quindi premere il dispositivo di bloccaggio ④ verso il retro. Aprire la calotta ed estrarre verso l'alto la cartuccia filtro ⑫. Chiudere immediatamente la cartuccia filtro tolta in un sacchetto di plastica a tenuta di polvere e smaltire conformemente alle disposizioni. Inserire la nuova cartuccia filtro. Abbassare la calotta e farla scattare in posizione premendola leggermente.



Se il filtro di protezione motore ⑬ è sporco, significa che le cartucce filtro sono difettose. Cambiare la cartuccia filtro. Lavare il filtro di protezione motore con acqua corrente,

asciugarlo e reinserirlo.



### Nota!

Pulire regolarmente i sensori del livello dell'acqua ① e controllare eventuali segni di danneggiamento.

## 8 Interventi in caso di guasto

Eventuali problemi di funzionamento non sono sempre causati da difetti dell'apparecchio!

Guasto:	Possibile causa/ rimedio:
Riduzione della potenza di aspirazione.	Filtro sporco → Pulizia.
	Filtro in carta pieno → Sostituzione.
	Contenitore pieno → Svuotamento.
	Bocchettone, tubi rigidi o tubo flessibile intasati → Pulizia.

<b>L'apparecchio non si accende.</b>	La spina è inserita nella presa?
	La rete è sotto tensione?
	La linea di rete funziona correttamente?
	La calotta è chiusa correttamente?
	Il sensore per l'acqua è scattato?

La riparazione dell'utensile deve effettuarsi solamente dal personale qualificato.

Non eseguire alcun intervento, ma rivolgersi ad un'officina autorizzata del servizio di assistenza clienti.

## 9 Accessori

Gli accessori e i relativi numeri di codice per le ordinazioni sono riportati nei nostri cataloghi.

### Custodia

Fissare i tubi di aspirazione inserendoli nelle apposite cavità sul lato posteriore del contenitore.

## 10 Dati tecnici

		VC25/1400	VC50/1400
Tensione	Volt (V) ~	220-240	220-240
Potenza nominale	Watt	1200	1200
Potenza massima	Watt	1400	1400
Frequenza	Hertz (Hz)	50/60	50/60
Flusso d'aria*	m <sup>3</sup> /h/MG	220	220
Depressione *	hPa/MG	248	248
Flusso d'aria**	m <sup>3</sup> /h/SE	--	--
Depressione **	hPa/SE	--	--
Pressione acustica	dB (A)	69,5	69,5
(l x b x h)	cm	45,7 x 40 x 54	58,7 x 47 x 64
Peso	kg	12,7	17,7
Durata specificata	anni	7	7

\*sul soffiante

\*\*sul tubo flessibile

Cavo di collegamento negli apparecchi con spina: H05V V-F 3 x 1,5

## 11 Garanzia

Vedere le condizioni generali di validità della garanzia riportate sul foglietto allegato a queste istruzioni.

Il produttore dichiara, assumendosi la piena responsabilità, che il prodotto è conforme alle direttive CE e alle norme pertinenti: Direttiva macchine 2006/42/CE e relative modifiche, Direttiva CEM 2004/108/CE e relative modifiche.



Le apparecchiature vecchie contengono materiali preziosi adatti al riciclaggio. Non smaltire l'apparecchio con i rifiuti domestici normali ma in modo appropriato attraverso sistemi di raccolta idonei.

## DEUTSCH (original)

Erzeugnis:	Sauger für Nass- und Trockeneinsatz
Typ:	VC25/1400, VC50/1400
Die Bauart der Geräte entspricht folgenden einschlägigen Bestimmungen	EC Maschinenrichtlinie 2006/42/EG EC-Richtlinie EMC 2004/108/EG
Angewendete harmonisierte Normen	EN 12100-1, EN-12100-2, EN 60335-1, EN 60335-2-69, EN 55014-1, EN 55014-2, EN 61000-3-2
Angewendete nationale Normen und technische Spezifikationen	DIN EN 60335-1, DIN EN 60335-2-69

Lesen Sie vor der Inbetriebnahme des Saugers die Bedienungsanleitung sorgfältig durch. Sie gibt wichtige Hinweise zur Bedienung, Sicherheit sowie Wartung und Pflege. Bewahren Sie die Bedienungsanleitung sorgfältig auf und geben Sie diese bei Veräußerung an den Nachbesitzer weiter. Der Hersteller behält sich Konstruktions- und Ausstattungsänderungen vor.

Andere Arbeiten, als in dieser Bedienungsanleitung beschrieben, dürfen Sie nicht ausführen.

### 1 Sicherheitshinweise

#### Warnung!

- ▶ VC25/1400, VC50/1400 Sauger sind nicht zum Auf-/Absaugen gesundheitsgefährlicher Stäube geeignet.

#### Warnung!

- ▶ Personen (einschließlich Kinder), die aufgrund ihrer physischen, sensorischen oder geistigen Fähigkeiten oder ihrer Unerfahrenheit oder Unkenntnis nicht in der Lage sind, den Sauger sicher zu benutzen, sollten diesen Sauger nicht ohne Aufsicht oder Anweisung durch eine verantwortliche Person benutzen.
- ▶ Bei Kindern, alten oder gebrechlichen Personen ist in besonderem Maße Vorsicht geboten.
- ▶ Düse, Schlauch oder Rohr nicht auf Menschen oder Tiere richten.

#### Gefahr!

- ▶ Der Sauger darf nicht in explosionsgefährdeten Räumen betrieben werden.
- ▶ Den Sauger von entflammenden Gasen und Substanzen fernhalten.

#### Gefahr!

- ▶ Es dürfen keine brennbaren oder explosiven Lösungsmittel, mit Lösungsmittel getränktes Gut, explosionsgefährliche Stäube, Flüssigkeiten wie Benzin, Öl, Alkohol, Verdünnung oder Gut, das heißer als 60 °C ist, aufgesaugt werden.
- ▶ Es besteht sonst Explosions- und Brandgefahr!

#### Gefahr!

- ▶ Verwenden Sie die Steckdose am Sauger nur für die in der Bedienungsanleitung festgelegten Zwecke.
- ▶ Bei Zweckentfremdung, unsachgemäßer Bedienung oder nicht fachgerechter Reparatur übernimmt der Hersteller keine Haftung für Schäden.
- ▶ Keine beschädigten Verlängerungsleitungen verwenden.
- ▶ Wenn die Anschlussleitung des Saugers beschädigt wird, muss sie durch eine besondere Anschlussleitung ersetzt werden, die beim Hersteller oder seinem Kundendienst erhältlich ist.
- ▶ Die Spannung auf dem Typenschild muss mit der Netzspannung übereinstimmen.
- ▶ Nach jedem Gebrauch und vor jeder Wartung Sauger ausschalten und Netzstecker ziehen.
- ▶ Nur am Netzstecker, nie an der Anschlussleitung ziehen.
- ▶ Netzstecker nie mit nassen Händen einstecken oder ausziehen.
- ▶ Steckdose muss über eine Haushaltssicherung mit geeigneter Stromstärke abgesichert sein.
- ▶ Öffnen Sie niemals den Sauger bei Regen oder Gewitter im Freien.

#### Gefahr!

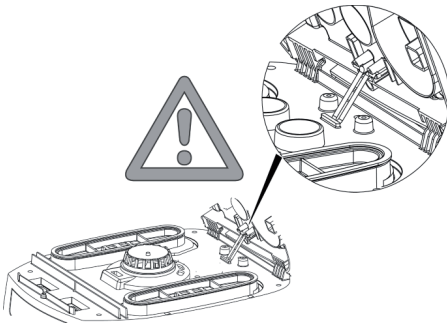
- ▶ Erststickungsgefahr
- ▶ Verpackungsmaterial, wie Folienbeutel, gehören nicht in Kinderhände
- ▶ Nie auf den Sauger steigen oder sitzen.
- ▶ Besondere Sorgfalt ist beim Saugen von Treppen geboten. Achten Sie auf sicheren Stand.
- ▶ Anschlussleitung und Saugschlauch nicht über scharfe Kanten ziehen, knicken oder einklemmen.
- ▶ Anschlussleitung und Saugschlauch immer so verlegen, dass niemand darüber stolpern kann.
- ▶ Bei Austritt von Schaum oder Flüssigkeit sofort Sauger ausschalten.
- ▶ Das Deckelinnere immer trocken halten.
- ▶ Sauger einschließlich Zubehör nicht in Betrieb nehmen, wenn:
  - Sauger erkennbare Schäden (Risse/Brüche) aufweist.
  - Netzanschlussleitung defekt ist oder Rissbildung bzw. Alterung aufweist,
  - Verdacht besteht auf einen unsichtbaren Defekt (nach einem Sturz)

#### Warnung!

- ▶ Nur die mit dem Sauger versehenen oder die in der Bedienungsanleitung festgelegten Bürsten verwenden. Die Verwendung anderer Bürsten kann die Sicherheit beeinträchtigen.
- ▶ Reinigen und desinfizieren Sie den Sauger nach dem Gebrauch sofort, um Verkeimung durch langfristig nicht erfolgte Reinigung vorzubeugen, speziell beim Einsatz in lebensmittelverarbeitenden Betrieben.
- ▶ Verwenden Sie zur Reinigung keine Dampfstrahlgeräte oder Hochdruckreiniger.
- ▶ Säure, Azeton und Lösungsmittel können Saugerteile anätzen.
- ▶ Gerät nicht unbeaufsichtigt lassen. Bei längerer Arbeitsunterbrechung Netzstecker ziehen.

## Warnung!

- ▶ Reparaturen nur von Fachkräften, z. B. Kundendienst, ausführen lassen. Nur Original-Ersatzteile verwenden.
- ▶ Nicht fachgerecht reparierte Geräte stellen eine Gefahr für den Benutzer dar.



## 2 Vor dem Gebrauch

Achten Sie beim Auspacken auf Vollständigkeit und Transportschäden.

Lesen Sie alle Informationen aufmerksam durch. Sie geben wichtige Hinweise für Gebrauch, Sicherheit sowie Wartung und Pflege. Bewahren Sie die Gebrauchsanleitung sorgfältig auf und geben Sie diese ggf. an die Nachbesitzer weiter. Wir behalten uns Konstruktions- und Ausstattungsänderungen vor.

## 3 Einsatzbereiche

Der Sauger ist für den gewerblichen Gebrauch bestimmt. Ideal in Kombination mit einem Elektrowerkzeug, auf Baustellen, in Werkstätten, etc. Zum Nass- und Trockensaugen.

## 4 Inbetriebnahme

Mit Schalter ②a im Oberteil ① Gerät ein-/ausschalten (bzw. in Automatikbetrieb schalten – siehe Punkt 4.1.).

### 4.1 Bedienfeld

Je nach Ausstattung sind folgende Funktionen und Einstellungen wählbar.

0 = Sauger >aus<

I = Sauger >ein<

**A** = Bereitschaftsbetrieb für Ein-/Ausschaltautomatik. (Sauger wird vom Elektrowerkzeug ein- und ausgeschaltet)

**R** = Filterabreinigungsfunktion; in dieser Schalterstellung wird für ca. 10 sec. der Rüttler in Betrieb gesetzt und schaltet danach automatisch aus.

**RA** = Bereitschaftsbetrieb wie „A“ plus automatische Filterabreinigung.

Die Steckdose ②b ist für den Anschluss eines Elektrowerkzeugs vorgesehen.

## Achtung!

Elektrowerkzeug muss beim Anschluss abgeschaltet sein. Die Steckdose steht bei eingestecktem Netzstecker unabhängig von der Schalterstellung immer unter Spannung. In Schalterstellung „0“ könnte so die Steckdose als Verlängerungsleitung (für z. B. Leuchte) genutzt werden.

Anschlusswert: Sauger und angeschlossenes Gerät max. 16 A. Mit dem Drehzahlsteller 2d kann die Saugleistung stufenlos angepasst werden.

Die Absaugöffnungen der Elektrowerkzeuge sind noch nicht genormt. Daher steht der Adapter (Gummidüse oder Gummimuffe) zur Verfügung, der durch Kürzen an das jeweilige Elektrowerkzeug angepasst werden kann.

## 5 Arbeiten (Nass- und Trockensaugen)

Bei Verwendung des Griffrohres kann mit dem Nebenluftschieber die Saugleistung angepasst werden.

### 5.1 Trockensaugen

Nur mit trockenem Filter, Gerät und Zubehör saugen, damit Staub nicht haften bleibt und verkrustet. Wenn Ruß, Zement, Gips, Mehl oder ähnliche Stäube gesaugt werden, empfehlen wir einen Papierfilterbeutel einzusetzen. Papierfilterbeutel immer in Verbindung mit Filterkassetten einsetzen.

### 5.2 Nasssaugen

Ohne Papierfilterbeutel saugen. Die Filterkassetten sind zum Nasssaugen geeignet.

Der eingebaute Sensor schaltet den Motor bei vollem Behälter ab. Gerät wie unter 5.4 beschrieben entleeren. Wird das Gerät nicht ausgeschaltet, bleibt weiterhin der Wiederanlaufschutz wirksam. Erst nach dem Abschalten und dem erneuten Einschalten ist das Gerät wieder betriebsbereit.

- Vor dem Entleeren zuerst den Saugschlauch aus der Flüssigkeit nehmen.
- Durch hohe Saugleistung und strömungsgünstige Behälterform, kann nach dem Abschalten etwas Wasser aus dem Schlauch zurücklaufen.
- Bei anschließendem Trockensaugen trockene Filter einsetzen. Bei häufigem Wechsel zwischen Trocken- und Nasssaugen empfehlen wir den Einsatz eines zweiten Filter-Satzes, vorzugsweise Polyester-Filterkassetten.

## 5.3 Filterabreinigung

Die Sauger sind mit einer elektromagnetischen Filterabreinigung ausgestattet, mit der anhaftender Staub von den Filterkassetten abgerüttelt werden kann.

### 5.3.1 Manuelle Abreinigung

Spätestens bei Aufleuchten der Volumenstromanzeige ②c (Warnlampe) oder Ertönen des Warntons bzw. bei nachlassender Saugleistung sollte die Abrüttelung (Schalterstellung R oder RA/Schalter ②a betätigt werden.

### 5.3.2 Automatische Abreinigung (Rüttel-Automatik)

Diese Filterabreinigung erfolgt automatisch bei Erreichen des eingestellten Mindestvolumenstroms in der nächsten Arbeitspause (Schalterstellung RA/Schalter ②a).

## 5.4 Behälterentleerung

**Nur zulässig bei Stäuben mit AGW's > 1mg/m<sup>3</sup>.** Ausschalten ②a, Stecker ⑥ ziehen, Rastverschlüsse ⑨ öffnen. Oberteil ① und Saugschlauch vom Behälter ⑦ nehmen. Behälter auskippen.

- Die Handhabung und der Betrieb etc. können durch einen gefüllten Behälter beeinträchtigt werden.

## 5.5 Papierfilterbeutel

Zum Einsetzen bzw. Entnehmen der Filterbeutel/Entleerbeutel, Oberteil (Pos. ①) abnehmen.

Dafür die seitlichen Verschlüsse (Pos. ⑩) öffnen. Papierfilterbeutel nur zum Trockensaugen verwenden

### 5.5.1 Einsetzen der Papierfilterbeutel

- 25- und 50-Liter-Behälter Flansch über die Ansaugöffnung schieben

### 5.5.2 Wechsel der Papierfilterbeutel

Flansch vorsichtig von dem Ansaugstutzen ziehen und Flansch verschließen.

Motor vor dem Abstellen einschalten, damit eventuell abfallender Schwebstaub angesaugt werden kann (siehe Grafik Seite 4). Sauggut gemäß den gesetzlichen Bestimmungen entsorgen.

## 6 Reinigung

Behälter und Zubehör mit Wasser reinigen. Oberteil ① mit feuchtem Tuch abwischen. Behälter und Zubehör trocknen lassen.

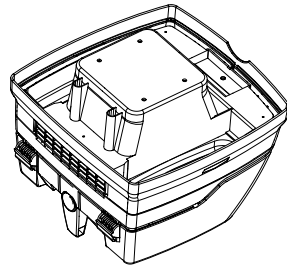
## 7 Wartung

Lässt die Saugleistung des Saugers nach und erhöht auch das Abreinigen der Filterkassetten ⑫, die Saugleistung nicht mehr (vorausgesetzt, Behälter ⑦ ist geleert und Papierfilterbeutel ⑬ ist ausgetauscht), dann ist es notwendig, die Filterkassetten ⑫ auszutauschen.

Filterkassetten ⑫ vor dem Filterwechsel noch mal abrütteln. Mit Münze oder ähnlichem Gegenstand den Verschluss ⑤ am Riegel ④ um 90° gegen den Uhrzeigersinn drehen und Riegel ④ nach hinten drücken. Haube aufklappen und die Filterkassetten ⑫ nach oben herausnehmen. Die entnommenen Filterkassetten sofort in einen staubdichten Kunststoffbeutel verschließen und bestimmungsgemäß entsorgen. Neue Filterkassetten einsetzen. Haube herunterklappen und durch leichtes Drücken arretieren.



Sollte der Motorschutzfilter ⑬ verschmutzt sein, weist dies auf defekte Filterkassetten hin. Bitte Filterkassetten austauschen. Motorschutzfilter unter fließendem Wasser auswaschen, trocknen und wieder einsetzen.



## Hinweis!

Die Wasserstandssensoren ① regelmäßig reinigen und auf Anzeichen von Beschädigung untersuchen

## 8 Selbsthilfe bei Störungen

Funktionsstörungen sind nicht immer auf Gerätedefekte zurückzuführen!

Störung:	Mögliche Ursache/ Behebung:
Nachlassen der Saugleistung	Filter verschmutzt → reinigen. Papierfilter voll → wechseln. Behälter voll → entleeren. Düse, Rohre oder Schlauch verstopft → reinigen.
Gerät läuft nicht an.	Stecker in Steckdose? Netz spannungslos? Netzleitung in Ordnung? Gerätehaube richtig geschlossen? Wassersensor hat abgeschaltet?

Keine weiteren „Eingriffe“ vornehmen, sondern an Kundendienstwerkstatt wenden.

## 9 Zubehör.

Das Zubehör und die entsprechenden Bestellnummer finden Sie in unseren Katalogen.

## Aufbewahrung

Saugrohre durch Einstecken in die vorgesehenen Aussparungen an der Behälter-Rückwand fixieren.

## 10 Technische Daten

		VC25/1400	VC50/1400
Spannung	Volt (V) ~	220–240	220–240
Nennleistung	Watt	1200	1200
Max. Leistung	Watt	1400	1400
Frequenz	Hertz (Hz)	50/60	50/60
Luftstrom*	m <sup>3</sup> /h/MG	220	220
Unterdruck*	hPa/MG	248	248
Luftstrom**	m <sup>3</sup> /h/SE	--	--
Unterdruck**	hPa/SE	--	--
Schalldruck	dB (A)	69,5	69,5
(l x b x h)	cm	45,7 x 40 x 54	58,7 x 47 x 64
Gewicht	kg	12,7	17,7
Angegeben Lebensdauer	Jahr	7	7

\*am Gebläse

\*\*am Schlauch

Anschlussleitung bei Geräten mit Steckdose: H05V V-F 3x1,5

## 11 Garantie

Siehe allgemeine Garantiebedingungen, die dieser Betriebsanleitung als Anlage beigelegt werden.

Wir erklären in alleiniger Verantwortung, dass dieses Produkt mit den EG-Richtlinien und maßgebenden Normen übereinstimmt: Maschinenrichtlinie 2006/42/EG mit Änderungen, EMV-Richtlinie 2004/108/EG mit Änderungen.



Altgeräte enthalten wertvolle Materialien, die zur Wiederaufarbeitung geeignet sind. Gerät nicht dem normalen Hausmüll beifügen, sondern über geeignete Sammelsysteme fachgerecht entsorgen, z.B. über Ihre kommunale Entsorgungsstelle.



## Português

Produto:	Aspirador para emprego a húmido e a seco
Tipo:	VC25/1400, VC50/1400
O tipo de construção do aparelho corresponde às seguintes determinações pertinentes	Directiva de máquinas CE 2006/42/CE Directiva CE CEM 2004/108/CE
Normas harmonizadas aplicadas	EN 12100-1, EN-12100-2, EN 60335-1, EN 60335-2-69, EN 55014-1, EN 55014-2, EN 61000-3-2
Normas e especificações técnicas Nacionais aplicadas	DIN EN 60335-1, DIN EN 60335-2-69

Antes de colocar o aspirador em funcionamento, leia o manual de instruções com atenção. Ele fornece informações importantes sobre a operação, segurança, manutenção e conservação.

Guarde o manual de instruções num local seguro e entregue-o ao novo proprietário em caso de transferência do aparelho.

O fabricante reserva-se o direito a alterações na construção e no equipamento. Não execute trabalhos que não estejam descritos neste manual de instruções.

## 1 Advertências de segurança

### Aviso!

- ▶ Os aspiradores VC25/1400, VC50/1400 não se adequam à absorção/aspiração de pó perigosos para a saúde.

### Aviso!

- ▶ Pessoas (incluindo crianças) que, devido às suas capacidades físicas, sensoriais ou espirituais ou à sua inexperiência, não forem capazes de utilizar o aspirador com segurança, não devem utilizar este aspirador sem vigilância ou instrução de uma pessoa responsável.
- ▶ Deve tomar-se cuidados acrescidos no caso de crianças, pessoas idosas ou instáveis.
- ▶ Não virar o bocal, a mangueira ou o tubo para pessoas nem animais.

### Perigo!

- ▶ O aspirador não pode ser operado em zonas com perigo de explosão.
- ▶ Manter o aspirador afastado de gases e substâncias inflamáveis.

### Perigo!

- ▶ Não podem ser aspirados solventes inflamáveis nem explosivos, produtos embebidos em solventes, pós explosivos, líquidos, como gasolina, óleo, álcool, diluente, nem produtos a uma temperatura superior a 60 °C.
- ▶ Há perigo de explosão e incêndio!

### Perigo!

- ▶ Utilize a tomada no aspirador apenas para os fins estabelecidos no manual de instruções.
- ▶ O fabricante não assume qualquer responsabilidade por danos causados pela utilização para outros fins além dos especificados, pela operação ou a reparação incorrectas.
- ▶ Não utilizar cabos de extensão danificados.
- ▶ Se o cabo de ligação do aspirador estiver danificado, deve ser substituído por um cabo de ligação especial, fornecido pelo fabricante ou pelo seu serviço de apoio ao cliente.
- ▶ A tensão na placa de identificação tem de coincidir com a tensão de rede.
- ▶ Após a utilização e antes de qualquer manutenção, desligar o aspirador e retirar a ficha de rede.
- ▶ Puxar apenas pela ficha de rede, nunca pelo cabo de ligação.
- ▶ Nunca encaixar ou remover a ficha de rede com as mãos húmidas.
- ▶ A alimentação de corrente tem de estar protegida por um fusível com uma intensidade adequada.
- ▶ Nunca abra o aspirador ao ar livre quando chover ou estiver trovoada.

### Perigo!

- ▶ Perigo de asfixia.
- ▶ Manter os materiais da embalagem, como sacos de papel, afastados das crianças.
- ▶ Não suba nem se sente no aspirador.
- ▶ Tenha um cuidado especial quando aspirar escadas. Mantenha uma postura segura.
- ▶ Não puxe, dobre nem comprima o cabo de ligação nem a mangueira de aspiração em cantos afiados.
- ▶ Pousar o cabo de ligação e a mangueira de aspiração de forma que ninguém possa tropeçar neles.
- ▶ Desligar imediatamente o aspirador se entrar espuma ou líquido.
- ▶ Manter o interior da tampa sempre seco.
- ▶ Não colocar o aspirador nem os acessórios em funcionamento quando:
  - o aspirador apresentar danos visíveis (fendas/ rupturas),
  - o cabo de ligação à rede estiver com defeito ou apresentar fendas ou desgaste,
  - existir suspeita de um defeito invisível (após uma queda).

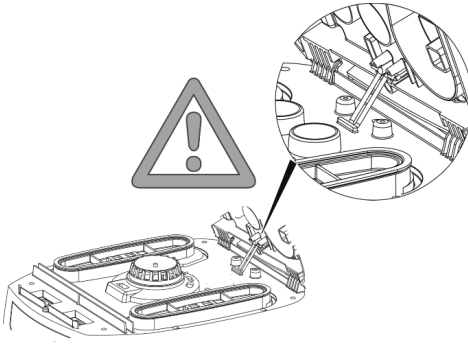
### Aviso!

- ▶ Utilizar apenas as escovas contidas no aspirador ou as especificadas no manual de instruções. A utilização de outras escovas pode colocar a segurança em risco.

- ▶ Limpe e desinfete o aspirador logo após a utilização, para prevenir a propagação provocada por uma longa ausência de limpeza, especialmente na utilização em unidades de processamento de alimentos.
- ▶ Na limpeza não utilize aparelhos operados com jactos de vapor ou limpadores de alta pressão.
- ▶ Ácidos, acetona e solventes podem corroer as peças do aspirador.
- ▶ Não deixar o aparelho sem vigilância. Retirar a ficha de rede em caso de uma interrupção prolongada do funcionamento.
- ▶ Não limpar as cassetes de filtros com ar comprimido.

## Perigo!

- ▶ As reparações só devem ser executadas por técnicos, por exemplo, do serviço de apoio ao cliente. Utilizar apenas peças sobressalentes originais.
- ▶ Aparelhos não reparados correctamente podem colocar o utilizador em perigo.



## 2 Antes do uso.

Prestar atenção ao desempacotar à integralidade e a danos de transporte.

Ler todas as informações cuidadosamente. Elas fornecem importantes avisos sobre o uso, segurança, bem como manutenção e conservação. Guardar o manual de instruções cuidadosamente e repassá-lo para o próximo proprietário do aparelho, se for o caso. Nos reservamos a modificações de construção e de equipagem.

## 3 Sectores de uso

O aspirador destina-se ao uso industrial. O seu funcionamento é optimizado quando combinado com uma ferramenta eléctrica, em locais de construção, em fábricas, etc. Para aspirar a húmido e a seco.

## 4 Colocação em funcionamento

Ligar/desligar com o interruptor ②a na parte superior ① do aparelho (respect. comutar para a operação automática – ver o ponto 4.1.).

## 4.1 Campo de comando

Conforme a equipagem, são seleccionáveis as seguintes funções e ajustes.

**0** = Aspirador >desligado<

**1** = Aspirador >ligado<

**A** = Operação de prontidão para ligar/desligar automático. (O aspirador será ligado e desligado a partir da ferramenta eléctrica).

**R** = Função de limpeza do filtro; nesta posição de comutação, o vibrador será colocado em funcionamento por aprox. 10 s e desligará, a seguir, automaticamente.

**RA** = Accionamento de prontidão para o funcionamento como „A“ com limpeza automática de filtro.

A tomada ②b é prevista para a conexão de uma ferramenta eléctrica.

### Atenção!

A ferramenta eléctrica deve estar desligada quando da conexão. A tomada sempre está sob tensão, quando a ficha de rede estiver inserida, independentemente da posição do interruptor. A posição do interruptor „0“, poderá, assim, utilizar a tomada como condutor de extensão (para p.ex. luminoso).

Carga conectada: Aspirador no aparelho conectado, máx. 16 A.

A potência de aspiração poderá ser adaptada continuamente com o fixador de velocidade de rotação ②d.

As aberturas de aspiração das ferramentas eléctricas ainda não estão padronizadas. Para isso, está à disposição o adaptador (bocal de borracha ou manga de borracha), que podese adaptar na ferramenta eléctrica correspondente por redução.

## 5 Trabalhar [ Aspirar a húmido e a seco ]

Quando do emprego do tubo de pega, a potência de aspiração poderá ser adaptada com a correção de ar secundário.

### 5.1 Aspiração a seco

Somente aspirar com filtro, aparelho e acessórios secos para que a poeira não permaneça colada e incruste. Se forem aspirados negro de fumo, cimento, gesso, farinha ou poeiras similares, recomendamos o emprego de um saco de filtro de papel.

Sempre empregar o saco de filtro de papel em conexão com cassetes de filtro.

### 5.2 Aspirar a húmido

Aspirar sem saco de filtro de papel. Os cartuchos de filtro são apropriados para a aspiração a húmido.

O sensor montado desliga o motor quando o reservatório estiver cheio. Esvaziar o aparelho como descrito em 5.4. Se o aparelho não for desligado, a protecção contra reaquecimento permanece actuando. Somente após a desligação e uma nova ligação, o aparelho está novamente pronto para funcionamento.

- Antes de esvaziar, remover a mangueira de aspiração do líquido.

- Devido à alta potência de aspiração e a forma do reservatório que favorece o fluxo, poderá retornar um pouco de água pela mangueira após a desligação.
- No caso de trocas frequentes entre aspiração a seco e húmida, recomendamos o uso de um segundo elemento filtrante, preferencialmente cassetes filtrantes de poliéster.

### 5.3 Limpeza do filtro

Os aspiradores estão equipados com uma limpeza electromagnética de filtro, com a qual, a poeira aderida poderá ser removida por vibração dos cartuchos de filtro de pregas. Isto assegura um uso óptimo do filtro de pregas e prolonga os ciclos de trabalho.

#### 5.3.1 Limpeza manual

O mais tardar quando do acendimento do indicador de fluxo volumétrico ②c (lâmpada de alerta) ou ao soar o som de alerta, respect., quando a potência de aspiração arrefecer, deverá ser accionado a vibração (posição do interruptor em R ou RA/ interruptor ②a).

#### 5.3.2 Limpeza automática (vibração automática)

Esta limpeza do filtro ocorre automaticamente ao ser atingido o fluxo volumétrico mínimo ajustado na próxima pausa de trabalho (posição do interruptor RA/interruptor ②a).

### 5.4 Esvaziamento do reservatório

**Somente permitido no caso de poeiras com valores de AGW > 1mg/m<sup>3</sup>.**

Desligar ②a, retirar a ficha ⑥, abrir o fecho de encaixe ⑨. Retirar a parte superior ① e a mangueira de aspiração do reservatório ⑦. Entornar o reservatório.

### 5.5 Saco de filtro de papel

Para colocar, respect., remover o saco de filtro/saco de esvaziamento, remover a parte superior ①. Para isso, abrir os fechos laterais ⑩. Somente utilizar o saco de filtro de papel para aspiração a seco.

#### 5.5.1 Emprego do saco de filtro de papel

- **Recipientes de 25 e 50 litros** Empurrar o flange sobre a abertura de aspiração.

#### 5.5.2 Troca do saco de filtro de papel

Extrair o flange cuidadosamente da tubulatura de aspiração e fechar o flange.

Ligar o motor antes de depositar, para que possa ser aspirada poeira suspensa eventualmente precipitada (vide o gráfico nas páginas 4). Descartar o material aspirado conforme as determinações legais.

## 6 Limpeza

Limpar o reservatório e os acessórios com água. Limpar a parte superior 1 com pano húmido. Deixar o reservatório e os acessórios secarem.

## 7 Manutenção

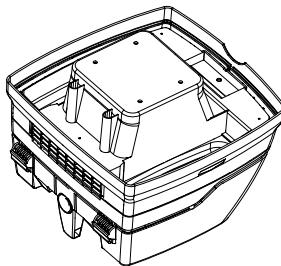
Se a potência de aspiração ficar reduzida e também não aumentar mais após limpeza do cartucho de filtro ② (pressupondo-se que o recipiente ⑦ está vazio e o saco de filtro de papel ④ está trocado), é necessária, então, a troca do cartucho de filtro ②c.

Realizar limpeza por vibração, novamente, do cartucho de filtro ②c antes da troca do filtro. Girar com uma moeda ou objecto similar o fecho ③ na tranca ④ de 90° no sentido anti-horário e premir a tranca ④ para trás. Dobrar a tampa e retirar o cartucho de filtro ②c para cima.

Fechar imediatamente o cartucho de filtro retirado num saco de material plástico impermeável à poeira e descartar conforme o especificado. Colocar um cartucho de filtro novo. Voltar a tampa para a posição inicial e trancar por leve pressão.



Se o filtro de protecção do motor e estiver sujo, isto indica defeito nos cassetes filtrantes. Trocar, sf., os cassetes filtrantes. Lavar o filtro de protecção do motor debaixo de água corrente, secar e recolocar.



### Nota!

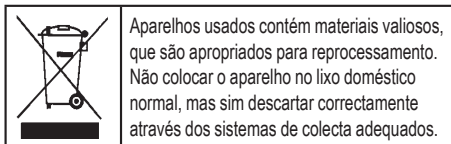
Limpar regularmente os sensores no nível de água ① e procurar sinais de danos.

## 8 Auto-assistência no caso de falhas.

As falhas de funcionamento não são sempre causadas por defeitos do aparelho!

Falha:	Causas possíveis/ Solução:
Diminuição da potência de aspiração	Filtro sujo → limpar.
	Filtro de papel cheio → trocar.
	Reservatório cheio → entleeren.
	Bocal, tubos ou mangueira entupidos → limpar.

<b>O aparelho não funciona</b>	Ficha na tomada?
	Rede sem tensão?
	Condutor de rede sem defeito?
	Tampa do aparelho fechada correctamente?
	O sensor de água desligou?



Não executar nenhuma outra >intervenção<, mas sim dirigir-se à oficina de assistência aos clientes.

## 9 Acessórios.

### Armazenamento

Fixar os tubos de aspiração inserindo-os nas saliências previstas na parede traseira do reservatório.

## 10 Dados técnicos

		VC25/1400	VC50/1400
Tensão	Volt (V) ~	220–240	220–240
Potência nominal	Watt	1200	1200
Potência máx.	Watt	1400	1400
Frequência	Hertz (Hz)	50/60	50/60
Corrente de ar*	m <sup>3</sup> /h/MG	220	220
Subpressão*	hPa/MG	248	248
Corrente de ar**	m <sup>3</sup> /h/SE	--	--
Subpressão**	hPa/SE	--	--
Pressão sonora	dB (A)	69,5	69,5
(l x b x h)	cm	45,7 x 40 x 54	58,7 x 47 x 64
Peso	kg	12,7	17,7

\*no ventilador      \*\*na mangueira

Condutor de alimentação para os equipamentos com tomada: H05V V-F 3 x1,5

## 11 Garantia

Termos e condições da garantia pode ser encontrada no cartão de garantia que acompanha este manual.

Declaramos, sob total responsabilidade, que este produto corresponde às directivas CE e normas competentes: Directivas de máquinas 2006/42/CE com alterações, Directiva CEM 2004/108/CE com alterações.

## Русский

Изделие:	Пылесос универсальный
Тип	VC25/1400, VC50/1400
Конструкция устройства соответствует следующим нормам	EC - Нормы по механике 2006/42/EG EC - Нормы по электромагнитной совместимости EMV 2004/108/EG
Применяемые согласованные нормы	EN 12100-1, EN-12100-2, EN 60335-1, EN 60335-2-69, EN 55014-1, EN 55014-2, EN 61000-3-2
Применяемые национальные нормы и технические спецификации	DIN EN 60335-1, DIN EN 60335-2-69

Перед началом работы внимательно прочитайте руководство по эксплуатации пылесоса, так как в ней содержатся важные указания по эксплуатации, безопасности и обслуживанию. Храните данное руководство в надежном месте и передавайте его каждому последующему пользователю. Производитель оставляет за собой право на внесение изменений в конструкцию и дизайн. Запрещается производить данным инструментом какие-либо работы, кроме тех, которые описаны в настоящем руководстве по эксплуатации.

### 1 Меры безопасности

#### ВНИМАНИЕ!

- ▶ Пылесосы VC25/1400, VC50/1400 не предназначены для всасывания опасной для здоровья человека пыли.

#### ВНИМАНИЕ!

- ▶ Лица (включая детей), которые в виду своего физического или душевного состояния или в силу своего незнания или неопытности не в состоянии правильно эксплуатировать пылесос, не должны пользоваться прибором без надзора или без руководства со стороны ответственных лиц.
- ▶ С осторожностью используйте прибор в присутствии детей, пожилых или больных людей.
- ▶ Никогда не направляйте шланг или трубку пылесоса на людей или животных.

#### ОПАСНО!

- ▶ Не используйте пылесос в помещениях, где существует опасность взрыва.
- ▶ Не используйте пылесос вблизи огнеопасных газов и веществ.

#### ОПАСНО!

- ▶ Не используйте пылесос для всасывания воспламеняющихся или взрывчатых веществ, растворителей, материалов с содержанием растворителей, пыли, с содержанием взрывчатых веществ, таких жидкостей, как бензин, масло, спирт или материалов, температура которых выше 60° C.
- ▶ Существует опасность взрыва или пожара!

#### ОПАСНО!

- ▶ Используйте розетку на пылесосе только для указанных в руководстве по эксплуатации целей.
- ▶ Производитель не несет ответственности за ущерб, возникший при нарушении правил эксплуатации, при неправильном использовании или при ремонте не в сервисных центрах.
- ▶ Не используйте поврежденный удлинитель.
- ▶ Поврежденный сетевой шнур заменяйте только на оригинальный, заказывайте его у производителя или в сервисном центре.
- ▶ Электрическое напряжение, указанное на заводской табличке, прикрепленной к пылесосу, должно соответствовать электрическому напряжению в сети.
- ▶ После окончания работы и перед техническим обслуживанием всегда выключайте пылесос и вынимайте штепсельную вилку из розетки.
- ▶ Чтобы выключить пылесос, никогда не тяните за кабель, только за штепсельную вилку.
- ▶ При включении и выключении пылесоса никогда не касайтесь штепсельной вилки мокрыми руками.
- ▶ Система электропитания должна быть защищена предохранителем с соответствующей силой тока.
- ▶ Никогда не открывайте пылесос на улице во время дождя или непогоды.

#### ОПАСНО!

- ▶ Опасность удушья.
- ▶ Держите упаковочные материал, например, пленку, в недоступном для детей месте.
- ▶ Никогда не вставайте и не садитесь на пылесос.
- ▶ Осторожно обрабатывайте с помощью пылесоса поверхность лестницы. Убедитесь, что пылесос прочно стоит на полу.
- ▶ Не протягивайте, не перегибайте и не пережимайте сетевой кабель и всасывающий шланг через острые грани.
- ▶ Сразу выключите пылесос, если из него начинает выливаться жидкость или пена.
- ▶ Следите за тем, чтобы внутренняя поверхность крышки всегда оставалась сухой.

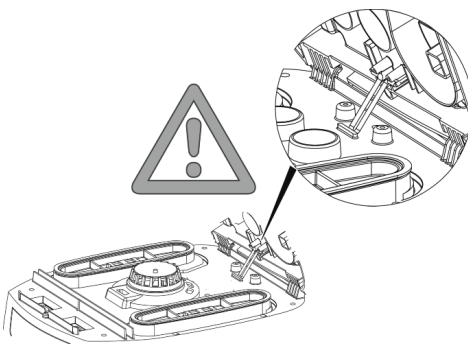
- ▶ Не используйте пылесос и принадлежности, если:
  - на пылесосы видны заметные повреждения (трещины, сколы);
  - поврежден сетевой шнур или повреждена оплетка.

## ВНИМАНИЕ!

- ▶ Используйте только рекомендуемые или указанные в руководстве по эксплуатации для данного пылесоса щетки. Использование других щеток снижает безопасность работы прибора.
- ▶ Очищайте и дезинфицируйте пылесос сразу же после окончания работы, чтобы избежать развития вредных микроорганизмов, особенно при использовании пылесоса на предприятиях по переработке пищевых продуктов.
- ▶ Не используйте для чистки пароструйные приборы или мойки высокого давления.
- ▶ Кислоты, ацетон и растворители могут разъесть части пылесоса.
- ▶ Не оставляйте прибор без присмотра. При длительном перерыве в работе вытащить штепсельную вилку из розетки.
- ▶ Не чистите кассетные фильтры сжатым воздухом.

## ОПАСНО!

- ▶ Ремонт должен производиться только специалистами, напр., в сервисных центрах. Используйте только оригинальные запчасти.
- ▶ Неквалифицированно отремонтированный прибор представляет опасность для пользователя.



## 2 Перед эксплуатацией

Перед эксплуатацией проверьте, имеются ли в комплекте все компоненты и есть ли на устройстве повреждения, возникшие в результате доставки.

Пожалуйста, внимательно прочитайте инструкцию, так как она содержит очень важную информацию об использовании, безопасности, техническом обслуживании и уходе. Храните инструкцию в надежном месте и передавайте ее каждому последующему пользователю. Возможны изменения в комплектации или дизайна устройства.

## 3 Область применения.

- ▶ Пылесос предназначен для промышленного использования. Прекрасно подходит для работы вместе с электроинструментом, на стройплощадках, в мастерских и т.д. Пылесос может быть использован для сухой и влажной уборки помещений.

## 4 Ввод в эксплуатацию.

Устройство включается, выключается или включается в автоматический режим переключателем 2а на верхней секции ① устройства (см. пункт 4.1.).

### 4.1 Настройки (см. рисунки)

В зависимости от модели можно выбрать следующие функции и настройки.

0 = пылесос выключен

I = пылесос включен

A = автоматическая система Вкл./Выкл. пылесоса (Пылесос включается/выключается подсоединенным к нему электроинструментом)

R = функция очистки фильтра; в этом режиме вибратор работает ок. 10 сек. и затем автоматически выключается.

RA = Автоматический режим в комбинации с автоматической очисткой фильтра

Розетка ②b на устройстве предусмотрена для подключения электроинструмента.

### Внимание!

Электроинструмент при подключении к пылесосу должен быть выключен. Если шнур питания пылесоса вставлен в сетевую розетку, то розетка на устройстве находится под напряжением, независимо от положения переключателя. При положении переключателя в режиме >0< пылесос может использоваться в качестве удлинителя (например, для фонаря).

Нагрузка: пылесос и подключаемый электроинструмент вместе должны потреблять не более 16 А. Бесступенчатое регулирование мощности всасывания осуществляется с помощью переключателя мощности ②d.

Отверстие электроинструмента, к которому присоединяется шланг, не стандартно, поэтому применяется адаптер – переходник (резиновая насадка или резиновая втулка), который позволяет подобрать размер отверстия для вашего электроинструмента.

## 5 Эксплуатация

При использовании трубки – держателя можно регулировать мощность всасывания за счет задвижки на трубке.

### 5.1 Сухая уборка

Для сухой уборки используйте только фильтр и принадлежности, предназначенные для сухой уборки, чтобы избежать прилипания пыли. Если пылесос используется

для уборки сажи, цемента, гипса и различных порошков, то рекомендуется использовать бумажный фильтр. Бумажный фильтр должен всегда использоваться вместе с кассетным фильтром.

## 5.2 Влажная уборка

Пылесос следует применять без бумажного фильтра. Для влажной уборки предусмотрен кассетный фильтр. Встроенный сенсорный датчик выключает мотор, когда контейнер пылесоса полный. Освободите устройство от содержимого, как описано в пункте 5.4. Блокировка включения будет работать до тех пор, пока устройство не будет выключено. Чтобы пылесос заработал, надо сначала его выключить, а затем заново включить.

- Всегда вынимайте сначала из жидкости шланг перед очисткой контейнера.
- Из-за конфигурации контейнера и большой силы всасывания при отключении пылесоса некоторое количество воды может вылиться из шланга.
- При сухой уборке используйте фильтр для сухой уборки. При частом варьировании типов влажной и сухой уборки рекомендуется использовать второй комплект фильтра в качестве замены, предпочтительно полиэфирный кассетный фильтр.

## 5.3 Очистка фильтра

Устройство оснащено функцией электромагнитной очистки, которая позволяет очистить кассетный фильтр от налипшей пыли.

### 5.3.1 Ручная очистка фильтра

Когда загорается индикатор объема потока воздуха ②с (лампочка) или раздается звуковой сигнал и сила всасывания уменьшается, необходимо включить функцию очистки фильтра (переключатель ②а в режиме R или RA).

### 5.3.2 Автоматическая очистка фильтра

Очистка фильтра происходит автоматически, когда достигается показатель предварительно установленной настройки минимального объема потока воздуха в течение последующей паузы в рабочем цикле (переключатель ②а в режиме RA).

## 5.4 Чистка контейнера

**Допускается, только если пыль с предельным показателем концентрации вредных веществ >1 мг / м³.** Выключите устройство ②а, отсоедините шнур питания ⑥, откройте защелки ⑨, снимите верхнюю секцию ① и выньте шланг из контейнера ⑦, затем освободите контейнер от содержимого.

## 5.5 Бумажный фильтр

Чтобы вставлять или вынимать фильтр, надо снять верхнюю секцию (позиция ①), затем открыть защелки (позиция ⑨). Бумажный фильтр используется только для сухой уборки.

### 5.5.1 Крепление фильтра

- Для пылесоса с контейнером объемом 25 и 50 л. Надеть фланец на отверстие для шланга.

### 5.5.2 Замена бумажного фильтра

Фланец осторожно снять со штуцера, закрыть фланец, включить мотор, прежде чем поставить моторную секцию на пол, чтобы устранить всю оставшуюся пыль (см. рис. на стр. 4).

Содержимое фильтра необходимо устранять в соответствии с предписаниями законодательства.

## 6 Чистка

Рекомендуется чистить контейнер и принадлежности водой, верхнюю секцию следует протирать влажным полотенцем и перед очередным использованием рекомендуется высушить контейнер и принадлежности.

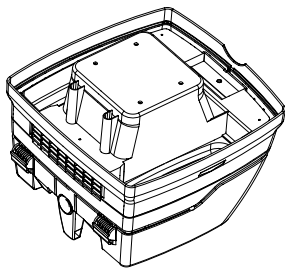
## 7 Техническое обслуживание

Если сила всасывания пылесоса уменьшается и если очистка кассетного фильтра ② не увеличивает большую мощность всасывания (при условии, что контейнер ⑦ не забит и бумажный фильтр ④ заменен), то необходимо заменить кассетный фильтр ②.

Необходимо очистить кассетный фильтр ② перед его заменой. Для этого надо повернуть монеткой или другим похожим предметом замок ⑤ на ригеле ④ на 90° против часовой стрелки и нажать на ригель ④ во внутрь, чтобы он одной стороной ушел вглубь. Открыть крышку и вынуть патроны фильтра ②. Извлеченный кассетный фильтр следует сразу упаковать в герметичный пластмассовый мешок и устранить в соответствии с предписаниями. Вставить новые кассеты с фильтром. Закрыть крышку и легким нажатием во внутрь вернуть ригель в исходное положение.



Если защитный фильтр в моторе загрязнен ③, то следует поменять кассетный фильтр на новый, так как загрязнение моторного фильтра указывает на неисправность кассетного фильтра. Защитный фильтр в моторе следует промыть водой, высушить и вновь использовать.



## ПРИМЕЧАНИЕ

Регулярно очищайте датчик уровня воды ① и проверяйте на наличие повреждений.

## 8 Помощь при неисправностях.

Функциональные неисправности не всегда означают дефекты!

Нарушение:	Возможная причина/ Устранение нарушения:
Уменьшение силы всасывания.	Забитый фильтр → Чистить  Полный бумажный фильтр → Поменять  Полный контейнер → Освободить от содержимого  Забитые насадки, шланг → Чистить
Устройство не включается.	Вставлен ли шнур в розетку?  Исправна ли сетевая розетка?  Не поврежден ли сетевой шнур?  Хорошо ли закрыта крышка пылесоса?  Может сработал сенсорный датчик, реагирующий на контакт с водой?

Любые другие вмешательства не рекомендуются. Обращайтесь в сервисные центры.

В случае нарушения в работе пылесоса обратитесь в ближайший центр послепродажного обслуживания с просьбой о технической помощи.

Самостоятельная диагностика неисправностей пылесоса и их самостоятельное устранение представляет большую опасность для пользователей.

Ремонт пылесоса должен производиться только квалифицированным специалистом.

Для пылесоса с креплением шнура питания Y-типа: При необходимости замены шнура питания во избежание возникновения опасных ситуаций следует обратиться к изготовителю пылесоса или его сервисным представителям.

При **хранении** пылесос не должен подвергаться воздействию влаги и химически активной в отношении материалов пылесоса среды. Храните пылесос в месте, недоступном для детей при положительной температуре окружающей среды, но не выше +40°C и относительной влажности воздуха не более 80%.

## Транспортировка

Перевозите пылесос в фирменной упаковке. Перед упаковкой зафиксируйте шнур.

## 9 Принадлежности

Принадлежности можно заказать по каталогу, указав их порядковый номер.

Трубки можно разместить в специально для этого предусмотренные места на задней части контейнера.

## 10 Технические данные

		VC25/1400	VC50/1400
Напряжение,	В	220–240	220–240
Номинальная мощность,	Вт	1200	1200
Макс. мощность,	Вт	1400	1400
Частота,	Гц	50/60	50/60
Поток воздуха,*	м <sup>3</sup> /ч/МГ	220	220
Разрежение,*	гПа/МВ	248	248
Поток воздуха,**	м <sup>3</sup> /ч/СЕ	140	140
Разрежение,**	гПа/СЕ	225	225
Акустическая нагрузка, дБ (А)		69,5	69,5
(l x b x h),	см	45,7x40x54	58,7x47x64
Вес,	кг	12,7	17,7
Установленный срок службы, лет		7	7

\*на вентиляторе

\*\*на шланге

Соединительный провод для пылесосов с розеткой: H05V V F 3 x 1,5.

## 11 Гарантия

Условия гарантии вы найдете в гарантийном талоне, прилагаемом к этому руководству по эксплуатации.



## 12 Утилизация



В старых приборах содержатся драгоценные материалы, пригодные для переработки. Не выбрасывайте пылесос вместе с обычным бытовым мусором. Используйте для этого специальные места для сбора аналогичных отходов.

## 13 Сведения о сертификации

Пылесосы универсальные имеют сертификат соответствия требованиям ГОСТ Р.

Копия Сертификата соответствия находится на официальном сайте компании «FELISATTI» по адресу [www.felisatti.es](http://www.felisatti.es)

[www.felisatti.eu](http://www.felisatti.eu)





IP24 

ELECTROSTAR GmbH

D-73262 Reichenbach/Fils · Germany · E-Mail: [info@starmix.de](mailto:info@starmix.de) · [www.starmix.de](http://www.starmix.de) · bbn: 40112408