

HITACHI

Cordless Impact Driver

Akku-Schlagschrauber

Δραπανοκατσάβιδο μπαταρίας κρουστικό

Wkrętarka udarowa

Akkus ütvecsavarozó

Rázový utahovák

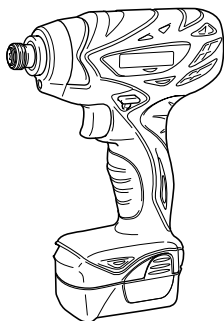
Akülü darbeli vidalama

Masina de insurubat cu impact cu acumulator

Akumulatorski udarni vijačnik

Ударный аккумуляторный шуруповерт

WH 10DFL



Read through carefully and understand these instructions before use.

Diese Anleitung vor Benutzung des Werkzeugs sorgfältig durchlesen und verstehen.

Διαβάστε προσεκτικά και κατανοήστε αυτές τις οδηγίες πριν τη χρήση.

Przed użytkowaniem należy dokładnie przeczytać niniejszą instrukcję i zrozumieć jej treść.

Használat előtt olvassa el figyelmesen a használati utasítást.

Před použitím si pečlivě přečtěte tento návod a ujistěte se, že mu dobře rozumíte.

Aleti kullanmadan önce bu kılavuzu iyice okuyun ve talimatları anlayın.

Înainte de utilizare, citiți cu atenție și înțelegeți prezentele instrucțiuni.

Pred uporabo natančno preberite in razumite ta navodila.

Внимательно прочтите данную инструкцию по эксплуатации прежде чем пользоваться инструментом.

Handling instructions

Bedienungsanleitung

Οδηγίες χειρισμού

Instrukcja obsługi

Kezelési utasítás

Návod k obsluze

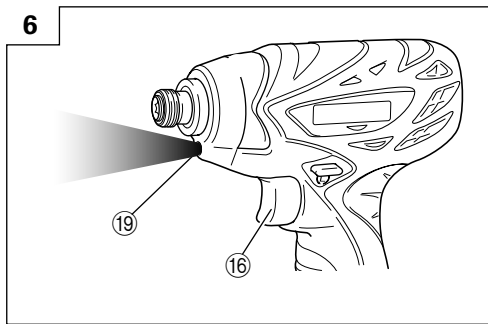
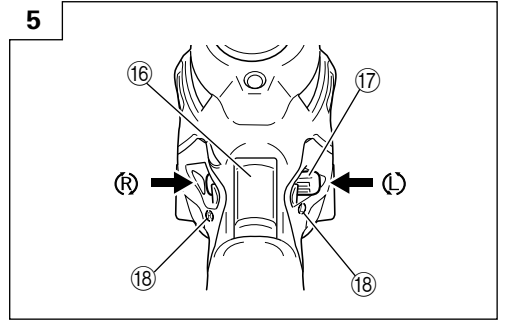
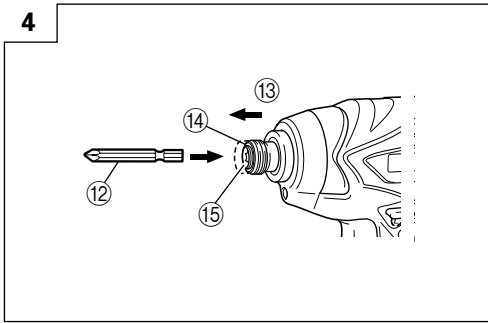
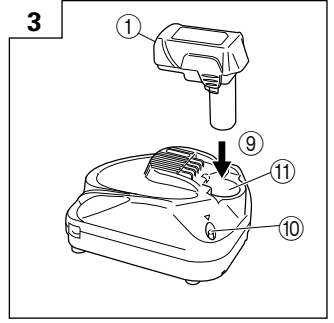
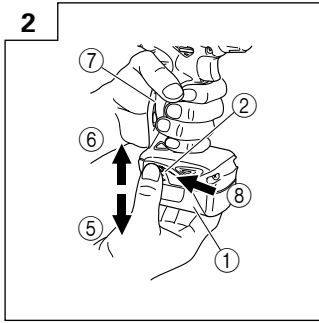
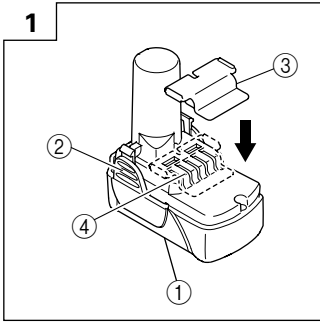
Kullanım talimatları

Instrucțiuni de utilizare

Navodila za rokovanje

Инструкция по эксплуатации





Hitachi Koki



	English	Deutsch	Ελληνικά	Polski
①	10.8 V Rechargeable battery	10,8 V Aufladbare batterie	10,8 V Επαναφορτιζόμενη μπαταρία	Akumulator 10,8 V
②	Latch	Verriegelung	Μάνδαλο	Zapadka
③	Battery cover	Batterieabdeckung	Κάλυμμα μπαταρίας	Pokrywa komory akumulatora
④	Terminals	Anschlüsse	Πόλοι	Styki
⑤	Pull out	Herausziehen	Τραβήξτε έξω	Wyciągnij
⑥	Insert	Einsetzen	Εισχωρήστε	Włóż/wprowadź
⑦	Handle	Handgriff	Χερούλι	Rączka
⑧	Push	Drücken	Σπρώξτε	Naciśnij
⑨	Insert	Einsetzen	Εισχωρήστε	Włóż/wprowadź
⑩	Pilot lamp	Kontrollampe	Δοκιμαστική λάμπα	Lampka kontrolna
⑪	Hole for connecting the rechargeable battery	Anschlußloch für ladebatterie	Τρύπα για την σύνδεση της επαναφορτιζόμενης μπαταρίας	Otwór wsuwowy akumulatora
⑫	Driver bit	Dreherspitze	Λεπίδα κίνησης	Wkrętak
⑬	Movement	Bewegung	Κίνηση	Ruch
⑭	Guide sleeve	Führungsmanschette	Οδηγητικός βραχίονας	Tuleja prowadnicy
⑮	Hexagonal hole in the socket	Sechskantloch der hülse	Εξαγωνική οπή στην υποδοχή	Otwór sześciokątny w gnieździe
⑯	Trigger switch	Trigger	Σκανδάλη διακόπτης	Spust
⑰	Selector button	Wählhebel	Κουμπί επιλογέα	Przełącznik kierunku obrotów
⑱	(R) and (L) marks	(R) und (L) Zeichen	(R) και (L) σημάδια	Symbole (L) i (R)
⑲	Light	Licht	Φως	Światło

	Magyar	Čeština	Türkçe	Română
①	10,8 V-os tölthető akkumulátor	10,8 V Akumulátor	10,8 V Şarj edilebilir batarya	10,8 V Acumulator reincărcabil
②	Retes	Zámek	Mandal	Element de blocare
③	Akkumulátorfedél	Kryt baterie	Batarya kapağı	Apărătoarea acumulatorului
④	Csatlakozók	Koncovky	Kutuplar	Terminale
⑤	Kihúzní	Zatáhnout	Çekín	Trageți
⑥	Bedugni	Zasunout	Yerleştirin	Introduceți
⑦	Markolat	Držadlo	Kol	Mâner
⑧	Benyomni	Stisknout	İtin	Împingeți
⑨	Bedugni	Zasunout	Yerleştirin	Introduceți
⑩	Jelzőlámpa	Indikátor	Kılavuz lamba	Lampa pilot
⑪	Nyílás a tölthető akkumulátor csatlakoztatásához	Otvor pro zasunutí akumulátoru	Şarj edilebilir bataryanın takılacağı delik	Orificiu pentru conectarea acumulatorului reincărcabil
⑫	Behajtófej	Hrot šroubováku	Tahrik ucu	Capăt de şurubelniță
⑬	Mozgás	Pohyb	Hareket	Mișcare
⑭	Vezetőhüvely	Vodící objímka	Kılavuz segmanı	Manșon de ghidare
⑮	Hatszögletű nyílás a befogóperselyben	Šestihranný otvor ve zdířce	Soketeki altgen delik	Locaș hexagonal în mandrină
⑯	Kapcsoló ravasz	Tlačítkový spínač	Şalter tetiği	Buton declanșator
⑰	Választógomb	Volba směru	Seçim düğmesi	Buton pentru selectare
⑱	(R) (Jobbra) és (L) (Balra) jelek	Značka pro (R) a (L) pohyb	(R) ve (L) işaretleri	Marcaje (R) și (L)
⑲	Lámpa	Světlo	Lamba	Lampă

	Slovenščina	Русский
①	10,8V Baterija, ki se polni	10,8 В аккумуляторная батарея
②	Zapah	Фиксатор
③	Baterijski pokrov	Крышка аккумуляторной батареи
④	Sponke	Полюса
⑤	Izvlécite	Вытащить
⑥	Vstavíte	Вставить
⑦	Ročica	Рукоятка
⑧	Pritisnite	Нажать
⑨	Vstavíte	Вставить
⑩	Krmilni indikator	Контрольная лампа
⑪	Luknja za priključevanje baterije, ki se polni	Отверстие для подключения аккумуляторной батареи
⑫	Sveder	Насадка шуруповерта
⑬	Premikanje	Перемещение
⑭	Pinola	Направляющий обод
⑮	Šesterorobna luknja v vtičnici	Шестигранное отверстие в розетке
⑯	Sprožilno stikalo	Пусковой переключатель
⑰	Izbirna tipka	Селекторная кнопка
⑱	Označbi za (R) in (L)	Метки (R) и (L)
⑲	Luč	Свет

	<p>Symbols ⚠ WARNING The following show symbols used for the machine. Be sure that you understand their meaning before use.</p>	<p>Symbole ⚠ WARUNG Die folgenden Symbole werden für diese Maschine verwendet. Achten Sie darauf, diese vor der Verwendung zu verstehen.</p>	<p>Σύμβολα ⚠ ΠΡΟΣΟΧΗ Τα παρακάτω δείχνουν τα σύμβολα που χρησιμοποιούνται στο μηχάνημα. Βεβαιωθείτε ότι κατανοείτε τη σημασία τους πριν τη χρήση.</p>	<p>Symbol ⚠ OSTRZEŻENIE Następujące oznaczenia to symbole używane w instrukcji obsługi maszyny. Uważnij się, że rozumiesz ich znaczenie zanim użyjesz narzędzia.</p>	<p>Jelölések ⚠ FIGYELEM Az alábbiakban a géphez alkalmazott jelölések vannak felsorolva. A gép használatára előtt feltétlenül ismerje meg ezeket a jelöléseket.</p>
	<p>Read all safety warnings and all instructions. Failure to follow the warnings and instructions may result in electric shock, fire and/or serious injury.</p>	<p>Lesen Sie sämtliche Sicherheitshinweise und Anweisungen durch. Wenn die Warnungen und Anweisungen nicht befolgt werden, kann es zu Stromschlag, Brand und/oder ernsthaften Verletzungen kommen.</p>	<p>Διαβάστε όλες τις προειδοποιήσεις ασφαλείας και όλες τις οδηγίες. Η μη τήρηση των προειδοποιήσεων και οδηγιών μπορεί να προκαλέσει ηλεκτροπληξία, πυρκαγιά και/ή σοβαρό τραυματισμό.</p>	<p>Należy dokładnie zapoznać się ze wszystkimi ostrzeżeniami i wskazówkami bezpieczeństwa. Nieprzestrzeganie ostrzeżeń oraz wskazań bezpieczeństwa może spowodować porażenie prądem elektrycznym, pożar i/ lub odniesienie poważnych obrażeń.</p>	<p>Olvasson el minden biztonsági figyelmeztetést és minden utasítást. A figyelmeztetések és utasítások be nem tartása áramütést, tüzet és/vagy súlyos sérülést eredményezhet.</p>
	<p>Only for EU countries Do not dispose of electric tools together with household waste material! In observance of European Directive 2002/96/EC on waste electrical and electronic equipment and its implementation in accordance with national law, electric tools that have reached the end of their life must be collected separately and returned to an environmentally compatible recycling facility.</p>	<p>Nur für EU-Länder Werfen Sie Elektrowerkzeuge nicht in den Hausmüll! Gemäss Europäischer Richtlinie 2002/96/EG über Elektro- und Elektronik- Altgeräte und Umsetzung in nationales Recht müssen verbrauchte Elektrowerkzeuge getrennt gesammelt und einer umweltgerechten Wiederverwertung zugeführt werden.</p>	<p>Μόνο για τις χώρες της ΕΕ Μην πετάτε τα ηλεκτρικά εργαλεία στον κάδο οικιακών απορριμμάτων! Σύμφωνα με την ευρωπαϊκή οδηγία 2002/96/ΕΚ περί ηλεκτρικών και ηλεκτρονικών συσκευών και την ενσωμάτωσή της στο εθνικό δίκαιο, τα ηλεκτρικά εργαλεία πρέπει να συλλέγονται ξεχωριστά και να επιστρέφονται για ανακύκλωση με τρόπο φιλικό προς το περιβάλλον.</p>	<p>Dotyczy tylko państw UE Nie wyrzucaj elektronarzędzi wraz z odpadami z gospodarstwa domowego! Zgodnie z Europejską Dyrektywą 2002/96/WE w sprawie zużytego sprzętu elektrotechnicznego i elektronicznego oraz dostosowaniem jej do prawa krajowego, zużyte elektronarzędzia należy posegregować i zutylizować w sposób przyjazny dla środowiska.</p>	<p>Csak EU-országok számára Az elektromos készülékszámokat ne dobja a háztartási szemétké! A használt villamos és elektronikai készülékekről szóló 2002/96/EK irányelv és annak a nemzeti jogba való átültetése szerint az elhasznált elektromos készülékszámokat külön kell gyűjteni, és környezetbarát módon újra kell hasznítani.</p>
	<p>Symbol ⚠ UPOZORNĚNÍ Následující text obsahuje symboly, které jsou použity na zařízení. Ujistěte se, že rozumíte jejich obsahu před tím, než začnete zařízení používat.</p>	<p>Simgeler ⚠ DİKKAT Aşağıda, bu alet için kullanılan simgeler gösterilmektedir. Alet kullanmadan önce bu simgelerin ne anlama geldiğini anlamalısınız emin olun.</p>	<p>Simboluri ⚠ AVERTISMENT În cele ce urmează sunt prezentate simbolurile folosite pentru mașină. Înainte de utilizare, asigurați-vă că înțelegeți semnificația acestora.</p>	<p>Simboli ⚠ OPOZORILO V nadaljevanju so prikazani simboli, uporabljeni pri stroju. Pred uporabo se prepričajte, da jih razumete.</p>	<p>Символы ⚠ ПРЕДУПРЕЖДЕНИЕ Ниже приведены символы, используемые для машины. Перед началом работы обязательно убедитесь в том, что Вы понимаете их значение.</p>
	<p>Přečtěte si všechna varování týkající se bezpečnosti a všechny pokyny. Nedodržení těchto varování a pokynů může mít za následek elektrický šok, požár a/nebo vážné zranění.</p>	<p>Tüm güvenlik uyarılarını ve tüm talimatları okuyun. Uyarılara ve talimatlara uyulmaması elektrik çarpmasına, yangına ve/veya ciddi yaralanmaya neden olabilir.</p>	<p>Citiți toate avertismentele privind siguranța și toate instrucțiunile. Nerespectarea avertismentelor și a instrucțiunilor poate avea ca efect producerea de șocuri electrice, incendii și/sau vătămări grave.</p>	<p>Preberite vas varnostna opozorila in navodila. Z neupoštevanjem opozoril in navodil tvegate električni udar, požar in/ali resne telesne poškodbe.</p>	<p>Прочтите все правила безопасности и инструкции. Не выполнение правил и инструкций может привести к поражению электрическим током, пожару и/или серьезной травме.</p>
	<p>Jen pro státy EU Elektrické nářadí nevyhazujte do komunálního odpadu! Podle evropské směrnice 2002/96/EG o nakládání s použitými elektrickými a elektronickými zařízeními a odpovídajících ustanovení právních předpisů jednotlivých zemí se použitá elektrická nářadí musí sbírat odděleně od ostatního odpadu a podrobit ekologicky šetrnému recyklování.</p>	<p>Sadece AB ülkeleri için Elektrikli el aletlerini evdeki çöp kutusuna atmayınız! Kullanılmış elektrikli aletleri, elektrik ve elektronik eski cihazlar hakkındaki 2002/96/EC Avrupa yönetelerine göre ve yöneteler ulusal hukuk kurallarına göre uyarlanarak, ayrı olarak toplanmalı ve çevre şartlarına uygun bir şekilde tekrar değerlendirilmeye gönderilmelidir.</p>	<p>Numai pentru țările membre UE Nu aruncați această sculă electrică împreună cu deșeurile menajere! În conformitate cu Directiva Europeană 2002/96/CE referitoare la deșeurile reprezentând echipamente electrice și electronice și la implementarea acesteia în conformitate cu legislația națională, sculele electrice care au ajuns la finalul duratei de folosire trebuie colectate separat și duse la o unitate de reciclare compatibilă cu mediul înconjurător.</p>	<p>Samo za države EU Električni orodij ne zavrzite skupaj z gospodinjiskimi odpadki! V skladu z evropsko direktivo 2002/96/EC o odpadni električni in elektronski opremi in izvedbi v skladu z državnimi zakoni, je treba električna orodja, ki so dosegla svoj življenjsko dobo ločeno zbirati in vrniti v o okoljem združljivo ustanovo za recikliranje.</p>	<p>Только для стран ЕС Не выкидывайте электроприборы вместе с обычными мусором! В соответствии с европейской директивой 2002/96/EG об утилизации старых электрических и электронных приборов и в соответствии с местными законами электроприборы, бывшие в эксплуатации, должны утилизироваться отдельно безопасным для окружающей среды способом.</p>

GENERAL POWER TOOL SAFETY WARNINGS

WARNING

Read all safety warnings and all instructions.

Failure to follow the warnings and instructions may result in electric shock, fire and/or serious injury.

Save all warnings and instructions for future reference.

The term "power tool" in the warnings refers to your mains-operated (corded) power tool or battery-operated (cordless) power tool.

1) Work area safety

- a) **Keep work area clean and well lit.**

Cluttered or dark areas invite accidents.

- b) **Do not operate power tools in explosive atmospheres, such as in the presence of flammable liquids, gases or dust.**

Power tools create sparks which may ignite the dust or fumes.

- c) **Keep children and bystanders away while operating a power tool.**

Distractions can cause you to lose control.

2) Electrical safety

- a) **Power tool plugs must match the outlet.**

Never modify the plug in any way.

Do not use any adapter plugs with earthed (grounded) power tools.

Unmodified plugs and matching outlets will reduce risk of electric shock.

- b) **Avoid body contact with earthed or grounded surfaces, such as pipes, radiators, ranges and refrigerators.**

There is an increased risk of electric shock if your body is earthed or grounded.

- c) **Do not expose power tools to rain or wet conditions.**

Water entering a power tool will increase the risk of electric shock.

- d) **Do not abuse the cord. Never use the cord for carrying, pulling or unplugging the power tool. Keep cord away from heat, oil, sharp edges or moving parts.**

Damaged or entangled cords increase the risk of electric shock.

- e) **When operating a power tool outdoors, use an extension cord suitable for outdoor use.**

Use of a cord suitable for outdoor use reduces the risk of electric shock.

- f) **If operating a power tool in a damp location is unavoidable, use a residual current device (RCD) protected supply.**

Use of an RCD reduces the risk of electric shock.

3) Personal safety

- a) **Stay alert, watch what you are doing and use common sense when operating a power tool. Do not use a power tool while you are tired or under the influence of drugs, alcohol or medication.**

A moment of inattention while operating power tools may result in serious personal injury.

- b) **Use personal protective equipment. Always wear eye protection.**

Protective equipment such as dust mask, non-skid safety shoes, hard hat, or hearing protection used for appropriate conditions will reduce personal injuries.

- c) **Prevent unintentional starting. Ensure the switch is in the off position before connecting to power source and/or battery pack, picking up or carrying the tool.**

Carrying power tools with your finger on the switch or energising power tools that have the switch on invites accidents.

- d) **Remove any adjusting key or wrench before turning the power tool on.**

A wrench or a key left attached to a rotating part of the power tool may result in personal injury.

- e) **Do not overreach. Keep proper footing and balance at all times.**

This enables better control of the power tool in unexpected situations.

- f) **Dress properly. Do not wear loose clothing or jewellery. Keep your hair, clothing and gloves away from moving parts.**

Loose clothes, jewellery or long hair can be caught in moving parts.

- g) **If devices are provided for the connection of dust extraction and collection facilities, ensure these are connected and properly used.**

Use of dust collection can reduce dust related hazards.

4) Power tool use and care

- a) **Do not force the power tool. Use the correct power tool for your application.**

The correct power tool will do the job better and safer at the rate for which it was designed.

- b) **Do not use the power tool if the switch does not turn it on and off.**

Any power tool that cannot be controlled with the switch is dangerous and must be repaired.

- c) **Disconnect the plug from the power source and/or the battery pack from the power tool before making any adjustments, changing accessories, or storing power tools.**

Such preventive safety measures reduce the risk of starting the power tool accidentally.

- d) **Store idle power tools out of the reach of children and do not allow persons unfamiliar with the power tool or these instructions to operate the power tool.**

Power tools are dangerous in the hands of untrained users.

- e) **Maintain power tools. Check for misalignment or binding of moving parts, breakage of parts and any other condition that may affect the power tools operation.**

If damaged, have the power tool repaired before use.

Many accidents are caused by poorly maintained power tools.

- f) **Keep cutting tools sharp and clean.**

Properly maintained cutting tools with sharp cutting edges are less likely to bind and are easier to control.

- g) **Use the power tool, accessories and tool bits etc. in accordance with these instructions, taking into account the working conditions and the work to be performed.**

Use of the power tool for operations different from those intended could result in a hazardous situation.

5) Battery tool use and care

a) Recharge only with the charger specified by the manufacturer.

A charger that is suitable for one type of battery pack may create a risk of fire when used with another battery pack.

b) Use power tools only with specifically designated battery packs.

Use of any other battery packs may create a risk of injury and fire.

c) When battery pack is not in use, keep it away from other metal objects like paper clips, coins, keys, nails, screws, or other small metal objects that can make a connection from one terminal to another.

Shorting the battery terminals together may cause burns or a fire.

d) Under abusive conditions, liquid may be ejected from the battery; avoid contact. If contact accidentally occurs, flush with water. If liquid contacts eyes, additionally seek medical help. Liquid ejected from the battery may cause irritation or burns.

6) Service

a) Have your power tool serviced by a qualified repair person using only identical replacement parts.

This will ensure that the safety of the power tool is maintained.

PRECAUTION

Keep children and infirm persons away.

When not in use, tools should be stored out of reach of children and infirm persons.

PRECAUTIONS FOR CORDLESS IMPACT DRIVER

1. This is portable tool for tightening and loosening screws. Use it only for these operation.
2. Use the earplugs if using for a long time.
3. One-hand operation is extremely dangerous; hold the unit firmly with both hands when operating.
4. After installing the driver bit, pull lightly out the bit to make sure that it does not come loose. If the bit is not installed properly, it can come loose during use, which can be dangerous.
5. Use the bit that matches the screw.
6. Tightening a screw with the impact driver at an angle to that screw can damage the head of the screw and the proper force will not be transmitted to the screw. Tighten with this impact driver lined up straight with the screw.
7. Always charge the battery at a temperature of 0 – 40°C. Charging the battery at temperatures outside the range of 0 – 40°C may prevent proper charging and reduce battery life.
The most suitable temperature for charging is that of 20 – 25°C.
8. When one charging is completed, leave the charger for about 15 minutes before the next charging of battery.
Do not charge the battery more than 2 hours.
9. Do not allow foreign matter to enter the hole for connecting the rechargeable battery.
10. Never disassemble the rechargeable battery and charger.

11. Never short-circuit the rechargeable battery. Short-circuiting the battery will cause a great electric current and overheat. It results in burn or damage to the battery.
12. Do not dispose of the battery in fire.
If the battery is burnt, it may explode.
13. When drilling in wall, floor or ceiling, check for buried electric power cord, etc.
14. Bring the battery to the shop from which it was purchased as soon as the post-charging battery life becomes too short for practical use. Do not dispose of the exhausted battery.
15. Using an exhausted battery will damage the charger.
16. Do not insert object into the air ventilation slots of the charger.
Inserting metal objects or inflammables into the charger air ventilation slots will result in electrical shock hazard or damaged charger.

CAUTION ON LITHIUM-ION BATTERY

To extend the lifetime, the lithium-ion battery equips with the protection function to stop the output.

In the cases of 1 to 3 described below, when using this product, even if you are pulling the switch, the motor may stop. This is not the trouble but the result of protection function.

1. When the battery power remaining runs out, the motor stops.
In such case, charge it up immediately.
2. If the tool is overloaded, the motor may stop. In this case, release the switch of tool and eliminate causes of overloading. After that, you can use it again.
3. If the battery is overheated under overload work, the battery power may stop.
In this case, stop using the battery and let the battery cool. After that, you can use it again.

Furthermore, please heed the following warning and caution.

WARNING

In order to prevent any battery leakage, heat generation, smoke emission, explosion and ignition beforehand, please be sure to heed the following precautions.

1. Make sure that swarf and dust do not collect on the battery.
 - During work make sure that swarf and dust do not fall on the battery.
 - Make sure that any swarf and dust falling on the power tool during work do not collect on the battery.
 - Do not store an unused battery in a location exposed to swarf and dust.
 - Before storing a battery, remove any swarf and dust that may adhere to it and do not store it together with metal parts (screws, nails, etc.).
2. Do not pierce battery with a sharp object such as a nail, strike with a hammer, step on, throw or subject the battery to severe physical shock.
3. Do not use an apparently damaged or deformed battery.
4. Do not use the battery in reverse polarity.
5. Do not connect directly to an electrical outlets or car cigarette lighter sockets.
6. Do not use the battery for a purpose other than those specified.

7. If the battery charging fails to complete even when a specified recharging time has elapsed, immediately stop further recharging.
8. Do not put or subject the battery to high temperatures or high pressure such as into a microwave oven, dryer, or high pressure container.
9. Keep away from fire immediately when leakage or foul odor are detected.
10. Do not use in a location where strong static electricity generates.
11. If there is battery leakage, foul odor, heat generated, discolored or deformed, or in any way appears abnormal during use, recharging or storage, immediately remove it from the equipment or battery charger, and stop use.

CAUTION

1. If liquid leaking from the battery gets into your eyes, do not rub your eyes and wash them well with fresh clean water such as tap water and contact a doctor immediately.
If left untreated, the liquid may cause eye-problems.

2. If liquid leaks onto your skin or clothes, wash well with clean water such as tap water immediately. There is a possibility that this can cause skin irritation.
3. If you find rust, foul odor, overheating, discolor, deformation, and/or other irregularities when using the battery for the first time, do not use and return it to your supplier or vendor.

WARNING

If an electrically conductive foreign object enters the terminals of the lithium ion battery, a short-circuit may occur resulting in the risk of fire. Please observe the following matters when storing the battery.

- **Do not place electrically conductive cuttings, nails, steel wire, copper wire or other wire in the storage case.**
- **Either install the battery in the power tool or store by securely pressing into the battery cover until the ventilation holes are concealed to prevent short-circuits (See Fig. 1).**

SPECIFICATIONS

POWER TOOL

No-load speed	0-2500 min ⁻¹
Capacity (Ordinary bolt)	M5 – M12
Tightening torque (Maximum)	95 N·m
Rechargeable battery	BCL1015: Li-ion 10.8 V / 12 V Peak (1.5 Ah 3 cells)
Weight	1.0 kg

CHARGER

Model	UC10SFL
Charging voltage	10.8 V
Weight	0.35 kg

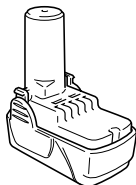
STANDARD ACCESSORIES

WH10DFL (2LC5K)	① Plus driver bit (No. 2 × 50L)	1
	② Battery (BCL1015)	2
	③ Charger (UC10SFL)	1
	④ Plastic case	1
	⑤ Battery cover	1

Standard accessories are subject to change without notice.

OPTIONAL ACCESSORIES (sold separately)

1. Battery (BCL1015)



Optional accessories are subject to change without notice.

APPLICATIONS

- Driving and removing of machine screws, wood screws, tapping screws, etc.

BATTERY REMOVAL/INSTALLATION

1. **Battery removal**
Hold the handle tightly and push the battery latch to remove the battery (see **Figs. 1 and 2**).

CAUTION:

Never short-circuit the battery.

2. **Battery installation**
Insert the battery while observing its polarities (see **Fig. 2**).

CHARGING

Before using the power tool, charge the battery as follows.

1. **Connect the charger power cord to the receptacle**
2. **Insert the battery in the charger**
Position the battery so that the nameplate faces toward the nameplate of the charger and press in the battery until it comes into contact with the bottom plate (See **Fig. 3**).

Inserting the battery will turn on the charger (the pilot lamp lights up).

CAUTION

If the pilot lamp does not light up, pull out the power cord from the receptacle and check the battery mounting condition.

The pilot lamp goes off to indicate that the battery is fully charged.

CAUTION

If the battery is heated due to direct sunlight, etc., just after operation, the charger pilot lamp may not light. At that time cool the battery first, then start charging.

- Regarding recharging time

Table 1 shows the recharging time required according to the type of battery.

Table 1 Recharging time (approx. min.) at 20°C

Battery voltage (V)	Battery capacity (Ah)	
	10.8 V	BCL1015

NOTE: The recharging time may vary according to the ambient temperature.

3. Disconnect the charger's power cord from the receptacle

4. Hold the charger firmly and pull out the battery

NOTE

Be sure to pull out the battery from the charger after use, and then keep it.

How to make the batteries perform longer

- (1) Recharge the batteries before they become completely exhausted.

When you feel that the power of the tool becomes weaker, stop using the tool and recharge its battery. If you continue to use the tool and exhaust the electric current, the battery may be damaged and its life will become shorter.

- (2) Avoid recharging at high temperatures.

A rechargeable battery will be hot immediately after use. If such a battery is recharged immediately after use, its internal chemical substance will deteriorate, and the battery life will be shortened. Leave the battery and recharge it after it has cooled for a while.

CAUTION:

- When the battery charger has been continuously used, the battery charger will be heated, thus constituting the cause of the failures. Once the charging has been completed, give 15 minutes rest until the next charging.
- If the battery charger does not work while the battery is mounted correctly, it is probable that the battery or charger is malfunctioning. Take it to your authorized Service Center.

PRIOR TO OPERATION

1. Setting up and checking the work environment

Check if the work environment is suitable by the above precautions.

HOW TO USE

1. Installing the bit

Always follow the following procedure to install driver bit. (Fig. 4)

- (1) Pull the guide sleeve forward.
- (2) Insert the bit into the hexagonal hole in the socket.

- (3) Release the guide sleeve and it returns to its original position.

CAUTION:

If the guide sleeve does not return to its original position, then the bit is not installed properly.

2. Removing the bit

Please do the opposite point on the method of installing bit.

3. Confirm that the battery is mounted correctly

4. Check the rotational direction

The bit rotates clockwise (viewed from the rear side) by pushing the R-side of the selector button.

The L-side of the selector button is pushed to turn the bit counterclockwise (See Fig. 5) (The (L) and (R) marks are provided on the body).

5. Switch operation

- When the trigger switch is depressed, the tool rotates. When the trigger is released, the tool stops.
- The rotational speed of the drill can be controlled by varying the amount that the trigger switch is pulled. Speed is low when the trigger switch is pulled slightly and increases as the trigger switch is pulled more.

NOTE

- A buzzing noise is produced when the motor is about to rotate. This is only a noise, not a machine failure.

6. Using the light

Pull the trigger switch to light up the light. The light keeps on lighting while the trigger switch is being pulled. The light goes out after releasing the trigger switch. (Fig. 6)

CAUTION:

Do not look directly into the light. Such actions could result in eye injury.

7. Tightening and loosening screws

Install the bit that matches the screw, line up the bit in the grooves of the head of the screw, then tighten it. Push the impact driver just enough to keep the bit fitting the head of the screw.

CAUTION

Applying the impact driver for too long tightens the screw too much and can break it.

Tightening a screw with the impact driver at an angle to that screw can damage the head of the screw and the proper force will not be transmitted to the screw. Tighten with this impact driver lined up straight with the screw.

OPERATIONAL CAUTIONS

1. Resting the unit after continuous work

After use for continuous bolt-tightening work, rest the unit for 15 minutes or so when replacing the battery. The temperature of the motor, switch, etc., will rise if the work is started again immediately after battery replacement, eventually resulting in burnout.

NOTE

Do not touch the metal parts, as it gets very hot during continuous work.

2. Cautions on use of the speed control switch

This switch has a built-in, electronic circuit which steplessly varies the rotation speed. Consequently, when the switch trigger is pulled only slightly (low speed rotation) and the motor is stopped while continuously driving in screws, the components of the electronic circuit parts may overheat and be damaged.

3. Use a tightening time suitable for the screw

The appropriate torque for a screw differs according to the material and size of the screw, and the material being screwed etc., so please use a tightening time suitable for the screw. In particular, if a long tightening time is used in the case of screws smaller than M8, there is a danger of the screw breaking, so please confirm the tightening time and the tightening torque beforehand.

4. Work at a tightening torque suitable for the bolt under impact

The optimum tightening torque for nuts or bolts differs with material and size of the nuts or bolts. An excessively large tightening torque for a small bolt may stretch or break the bolt. The tightening torque increases in proportion to the operation time. Use the correct operating time for the bolt.

5. Confirm the tightening torque

The following factors contribute to a reduction of the tightening torque. So confirm the actual tightening torque needed by screwing up some bolts before the job with a hand torque wrench. Factors affecting the tightening torque are as follows.

(1) Voltage

When the discharge margin is reached, voltage decreases and tightening torque is lowered.

(2) Operating time

The tightening torque increases when the operating time increases. But the tightening torque does not increase above a certain value even if the tool is driven for a long time.

(3) Diameter of bolt

The tightening torque differs with the diameter of the bolt. Generally a larger diameter bolt requires larger tightening torque.

(4) Tightening conditions

The tightening torque differs according to the torque ratio; class, and length of bolts even when bolts with the same size threads are used. The tightening torque also differs according to the condition of the surface of workpiece through which the bolts are to be tightened. When the bolt and nut turn together, torque is greatly reduced.

MAINTENANCE AND INSPECTION

1. Inspecting the driver bit

Using a broken bit or one with a worn out tip is dangerous because the bit can slip. Replace it.

2. Inspecting the mounting screws

Regularly inspect all mounting screws and ensure that they are properly tightened. Should any of the screws be loose, retighten them immediately. Failure to do so could result in serious hazard.

3. Maintenance of the motor

The motor unit winding is the very "heart" of the power tool.

Exercise due care to ensure the winding does not become damaged and/or wet with oil or water.

4. Cleaning of the outside

When the driver drill is stained, wipe with a soft dry cloth or a cloth moistened with soapy water. Do not use chloric solvents, gasoline or paint thinner, for they melt plastics.

5. Storage

Store the driver drill in a place in which the temperature is less than 40°C and out of reach of children.

6. Service parts list

CAUTION:

Repair, modification and inspection of Hitachi Power Tools must be carried out by a Hitachi Authorized Service Center.

This Parts List will be helpful if presented with the tool to the Hitachi Authorized Service Center when requesting repair or other maintenance.

In the operation and maintenance of power tools, the safety regulations and standards prescribed in each country must be observed.

MODIFICATIONS:

Hitachi Power Tools are constantly being improved and modified to incorporate the latest technological advancements.

Accordingly, some parts may be changed without prior notice.

GUARANTEE

We guarantee Hitachi Power Tools in accordance with statutory/country specific regulation. This guarantee does not cover defects or damage due to misuse, abuse, or normal wear and tear. In case of complaint, please send the Power Tool, undismantled, with the GUARANTEE CERTIFICATE found at the end of this Handling instruction, to a Hitachi Authorized Service Center.

NOTE:

Due to HITACHI's continuing program of research and development, the specifications herein are subject to change without prior notice.

Information concerning airborne noise and vibration

The measured values were determined according to EN60745 and declared in accordance with ISO 4871.

Measured A-weighted sound power level: 103 dB (A)

Measured A-weighted sound pressure level: 92 dB (A)

Uncertainty KpA: 3 dB (A).

Wear hearing protection.

Vibration total values (triax vector sum) determined according to EN60745.

Impact tightening of fasteners of the maximum capacity of the tool:

Vibration emission value **ah** = 18.1 m/s²

Uncertainty K = 1.5 m/s²

WARNING

- The vibration emission value during actual use of the power tool can differ from the declared value depending on the ways in which the tool is used.
- To identify the safety measures to protect the operator that are based on an estimation of exposure in the actual conditions of use (taking account of all parts of the operating cycle such as the times when the tool is switched off and when it is running idle in addition to the trigger time).

ALLGEMEINE SICHERHEITSHINWEISE FÜR ELEKTROGERÄTE

⚠️ WARNUNG

Lesen Sie sämtliche Sicherheitshinweise und Anweisungen durch

Wenn die Warnungen und Anweisungen nicht befolgt werden, kann es zu Stromschlag, Brand und/oder ernsthaften Verletzungen kommen.

Bitte bewahren Sie alle Warnhinweise und Anweisungen zum späteren Nachschlagen auf.

Der Begriff „Elektrowerkzeug“ bezieht sich in den Warnhinweisen auf Elektrowerkzeuge mit Netz-(schnurgebunden) oder Akkubetrieb (schnurlos).

1) Sicherheit im Arbeitsbereich

- Sorgen Sie für einen sauberen und gut ausgeleuchteten Arbeitsbereich.**
Zugestellte oder dunkle Bereiche ziehen Unfälle förmlich an.
- Verwenden Sie Elektrowerkzeuge niemals an Orten, an denen Explosionsgefahr besteht – zum Beispiel in der Nähe von leicht entflammaren Flüssigkeiten, Gasen oder Stäuben.**
Bei der Arbeit mit Elektrowerkzeugen kann es zu Funkenbildung kommen, wodurch sich Stäube oder Dämpfe entzünden können.
- Sorgen Sie bei der Arbeit mit Elektrowerkzeugen dafür, dass sich keine Zuschauer (insbesondere Kinder) in der Nähe befinden.**
Wenn Sie abgelenkt werden, können Sie die Kontrolle über das Werkzeug verlieren.

2) Elektrische Sicherheit

- Elektrowerkzeuge müssen mit passender Stromversorgung betrieben werden.**
Nehmen Sie niemals irgendwelche Änderungen am Anschlussstecker vor.
Verwenden Sie bei Elektrowerkzeugen mit Schutzkontakt (geerdet) niemals Adapterstecker.
Stecker im Originalzustand und passende Steckdosen reduzieren das Stromschlagrisiko.
- Vermeiden Sie Körperkontakt mit geerdeten Gegenständen wie Rohrleitungen, Heizungen, Herden oder Kühlschränken.**
Bei Körperkontakt mit geerdeten Gegenständen besteht ein erhöhtes Stromschlagrisiko.
- Setzen Sie Elektrowerkzeuge niemals Regen oder sonstiger Feuchtigkeit aus.**
Wenn Flüssigkeiten in ein Elektrowerkzeug eindringen, erhöht sich das Stromschlagrisiko.
- Verwenden Sie die Anschlusschnur nicht missbräuchlich. Tragen Sie das Elektrowerkzeug niemals an der Anschlusschnur, ziehen Sie es nicht damit heran und ziehen Sie den Stecker nicht an der Anschlusschnur aus der Steckdose.**
Halten Sie die Anschlusschnur von Hitzequellen, Öl, scharfen Kanten und beweglichen Teilen fern.
Beschädigte oder verdrehte Anschlusschnüre erhöhen das Stromschlagrisiko.
- Wenn Sie ein Elektrowerkzeug im Freien benutzen, verwenden Sie ein für den Außeneinsatz geeignetes Verlängerungskabel.**
Ein für den Außeneinsatz geeignetes Kabel vermindert das Stromschlagrisiko.
- Falls sich der Betrieb des Elektrowerkzeuges in feuchter Umgebung nicht vermeiden lässt, verwenden Sie eine Stromversorgung mit Fehlerstromschutzeinrichtung (Residual Current Device, RCD).**

Durch den Einsatz einer Fehlerstromschutzeinrichtung wird das Risiko eines elektrischen Schlages reduziert.

3) Persönliche Sicherheit

- Bleiben Sie wachsam, achten Sie auf das, was Sie tun, und setzen Sie Ihren Verstand ein, wenn Sie mit Elektrowerkzeugen arbeiten. Benutzen Sie keine Elektrowerkzeuge, wenn Sie müde sind oder unter Einfluss von Drogen, Alkohol oder Medikamenten stehen.**
Bei der Arbeit mit Elektrowerkzeugen können bereits kurze Phasen der Unaufmerksamkeit zu schweren Verletzungen führen.
 - Benutzen Sie eine persönliche Schutzausrüstung. Tragen Sie immer einen Augenschutz.**
Schutzausrüstung wie Staubmaske, rutschsichere Sicherheitsschuhe, Schutzhelm und Gehörschutz senken das Verletzungsrisiko bei angemessenem Einsatz.
 - Vermeiden Sie unbeabsichtigten Anlauf. Achten Sie darauf, dass sich der Schalter in der Aus-(Off-) Position befindet, ehe Sie das Gerät mit der Stromversorgung und/oder Batteriestromversorgung verbinden, es aufheben oder herumtragen.**
Das Herumtragen von Elektrowerkzeugen mit dem Finger am Schalter oder das Herstellen der Stromversorgung bei betätigtem Schalter zieht Unfälle regelrecht an.
 - Entfernen Sie sämtliche Einstellwerkzeuge (Einstellschlüssel), ehe Sie das Elektrowerkzeug einschalten.**
Ein an einem beweglichen Teil des Elektrowerkzeugs angebrachter Schlüssel kann zu Verletzungen führen.
 - Sorgen Sie für einen festen Stand. Achten Sie jederzeit darauf, sicher zu stehen und das Gleichgewicht zu bewahren.**
Dadurch haben Sie das Elektrowerkzeug in unerwarteten Situationen besser im Griff.
 - Kleiden Sie sich richtig. Tragen Sie keine lose Kleidung oder Schmuck. Halten Sie Haar, Kleidung und Handschuhe von beweglichen Teilen fern.**
Lose Kleidung, Schmuck oder langes Haar kann von beweglichen Teilen erfasst werden.
 - Wenn Anschlüsse für Staubabsaug- und -sammelvorrichtungen vorhanden sind, sorgen Sie dafür, dass diese richtig angeschlossen und eingesetzt werden.**
Durch Entfernen des Staubes können staubbezogene Gefahren vermindert werden.
- #### 4) Einsatz und Pflege von Elektrowerkzeugen
- Überansprechen Sie Elektrowerkzeuge nicht. Benutzen Sie das richtige Elektrowerkzeug für Ihren Einsatzzweck.**
Das richtige Elektrowerkzeug erledigt seine Arbeit bei bestimmungsgemäßem Einsatz besser und sicherer.
 - Benutzen Sie das Elektrowerkzeug nicht, wenn es sich nicht am Schalter ein- und ausschalten lässt.**
Jedes Elektrowerkzeug, das nicht mit dem Schalter betätigt werden kann, stellt eine Gefahr dar und muss repariert werden.
 - Stecken Sie den Stecker der Stromversorgung oder Batteriestromversorgung vom Gerät ab, ehe Sie Einstellarbeiten vornehmen, Zubehörteile tauschen oder das Elektrowerkzeug verstauen.**
Solche präventiven Sicherheitsmaßnahmen verhindern den unbeabsichtigten Anlauf des Elektrowerkzeugs und die damit verbundenen Gefahren.

d) Lagern Sie nicht benutzte Elektrowerkzeuge außerhalb der Reichweite von Kindern, lassen Sie nicht zu, dass Personen das Elektrowerkzeug bedienen, die nicht mit dem Werkzeug selbst und/oder diesen Anweisungen vertraut sind.
Elektrowerkzeuge in ungeschulten Händen sind gefährlich.

e) Halten Sie Elektrowerkzeuge in Stand. Prüfen Sie auf Fehlausrichtungen, sicheren Halt und Leichtgängigkeit beweglicher Teile, Beschädigungen von Teilen und auf jegliche andere Zustände, die sich auf den Betrieb des Elektrowerkzeugs auswirken können. Bei Beschädigungen lassen Sie das Elektrowerkzeug reparieren, ehe Sie es benutzen. *Viele Unfälle mit Elektrowerkzeugen sind auf schlechte Wartung zurückzuführen.*

f) Halten Sie Schneidwerkzeuge scharf und sauber. *Richtig gewartete Schneidwerkzeuge mit scharfen Schneidkanten bleiben weniger häufig hängen und sind einfacher zu beherrschen.*

g) Benutzen Sie Elektrowerkzeuge, Zubehör, Werkzeugspitzen und Ähnliches in Übereinstimmung mit diesen Anweisungen – beachten Sie dabei die jeweiligen Arbeitsbedingungen und die Art und Weise der auszuführenden Arbeiten.

Der Gebrauch des Elektrowerkzeuges für andere als die vorgesehenen Anwendungen kann zu gefährlichen Situationen führen.

5) Verwendung und Pflege der Batterie

a) Laden Sie das Gerät nur mit dem vom Hersteller empfohlenen Ladegerät auf.

Ein Ladegerät für einen speziellen Batterietyp kann bei Verwendung mit anderen Batterien zu Gefahren führen.

b) Verwenden Sie für das Gerät nur die speziell empfohlenen Batterien.

Eine Verwendung von anderen Batterien kann zu Verletzungen und Bränden führen.

c) Ist die Batterie nicht in Gebrauch, achten Sie darauf, dass sie nicht mit metallischen Gegenständen, beispielsweise Büroklammern, Münzen, Schlüssel, Nägel, Schrauben in Kontakt kommt, da diese Gegenstände einen Kurzschluss der Anschlüsse verursachen könnten.

Ein Kurzschluss der Batterieanschlüsse kann zu Verbrennungen oder Bränden führen.

d) Im Falle von Störungen, kann Flüssigkeit aus der Batterie austreten. Vermeiden Sie in diesem Fall jeglichen Kontakt. Sollten Sie dennoch mit der Batterie in Berührung kommen, waschen Sie die betroffene Stelle gründlich mit Wasser ab. Ist die Flüssigkeit ins Auge geraten, suchen Sie einen Arzt auf.

Ausgetretene Batterieflüssigkeiten können zu Reizungen oder Verbrennungen führen.

6) Service

a) Lassen Sie Elektrowerkzeuge durch qualifizierte Fachkräfte und unter Einsatz passender, zugelassener Originalteile warten.

Dies sorgt dafür, dass die Sicherheit des Elektrowerkzeugs nicht beeinträchtigt wird.

VORSICHTSMASSNAHMEN FÜR DEN AKKU-SCHLAGSCHRAUBER

1. Dies ist ein tragbares Werkzeuggerät zum Anziehen und Lösen von Schrauben. Es sollte nur für diesen Zweck eingesetzt werden.

2. Bei längerem Arbeiten Ohrstöpsel verwenden.

3. Es ist äußerst gefährlich, das Gerät nur mit einer Hand zu bedienen. Das Gerät ist beim Betrieb mit beiden Händen festzuhalten.

4. Nachdem das Schraubstück angebracht wurde, sollte ein wenig daran gezogen werden, um sicherzugehen, daß es festsitzt. Wenn das Schraubstück nicht richtig aufgesetzt wird, kann es sich während des Betriebs lösen, was Verletzungsgefahr bedeutet.

5. Das Schraubstück gemäß der anzuziehenden Schraube verwenden.

6. Sollte versucht werden, mit dem Schlag-Schrauber eine Schraube anzuziehen, wenn sich der Schlag-Schrauber in einem Winkel zur Schraube befindet, kann die Preßkraft des Geräts nicht voll zur Geltung kommen; außer dem kann der Schraubenkopf beschädigt werden. Anziehen, wenn sich der Schlag-Schrauber mit der Schraube auf einer Linie befindet.

7. Die Batterie immer bei einer Temperatur von 0 – 40°C laden. Das Laden des Akkus bei Temperaturen außerhalb des Bereichs von 0 – 40°C kann zu einer fehlerhaften Ladung führen und die Lebensdauer des Akkus vermindern.

Die beste Temperatur zum Laden wäre von 20 – 25°C.

8. Nach Beendigung einer Ladung, lassen Sie das Ladegerät ungefähr 15 Minuten ruhen bevor die nächste Batterieladung unternommen wird. Die Ladezeit der Batterie darf 2 Stunden nicht überschreiten.

9. Keine Fremdkörper durch das Anschlußloch der Batterie eindringen lassen.

10. Niemals die Batterie und das Ladegerät auseinandernehmen.

11. Niemals die Batterie kurzschließen. Kurzschluß der Batterie verursacht eine zu große Stromzufuhr und überhitzung, wodurch Durchbrennen oder Schaden beider Batterie entsteht.

12. Die Batterie nicht ins Feuer werfen.

Sie könnte dabei explodieren.

13. Beim Bohren von Wand, Boden oder Decke, nachprüfen ob keine versenkten Kabel, usw. vorhanden sind.

14. Bringen Sie die Batterie zum Geschäft, wo Sie ihn gekauft haben sobald die Lebensdauer der Batterie abrinnt. Die erschöpfte Batterie nicht wegwerfen.

15. Benutzung verbrauchter Batterie beschädigt den Auflader.

16. Darauf achten, daß keine Gegenstände durch Belüftungsschlitze des Aufladers in das Gerät eindringen.

Wenn Metallobjekte oder entzündliche Gegenstände durch die Belüftungsschlitze des Aufladers eindringen, kann dies zu elektrischen Schlägen führen oder den Auflader beschädigen.

VORSICHT

Von Kindern und gebrechlichen Personen fernhalten.

Werkzeuge sollten bei Nichtgebrauch außerhalb der Reichweite von Kindern und gebrechlichen Personen aufbewahrt werden.

WARNUNG ZUM LITHIUM-IONEN-AKKU

Um die Lebensdauer des Lithium-Ionen-Akkus zu verlängern, ist dieser mit einer Schutzfunktion zum Stoppen der Leistungsabgabe ausgestattet.

In den unten beschriebenen Fällen 1 bis 3 kann bei der Benutzung dieses Produkts der Motor abschalten, selbst wenn Sie den Schalter drücken. Dies ist kein Defekt sondern das Resultat der Schutzfunktion.

1. Wenn die verbleibende Akkuleistung nicht mehr ausreicht, schaltet der Motor ab.
Laden Sie in einem solchen Fall den Akku umgehend auf.
2. Wenn das Werkzeug überlastet ist, kann es zum Abschalten des Motors kommen. Lassen Sie in diesem Fall den Schalter des Geräts los und beseitigen Sie die Ursache der Überlastung. Danach können Sie das Gerät wieder verwenden.
3. Kommt es während des Betriebs zu einer Erhitzung der Batterie, wird das Gerät unter Umständen angehalten. Unterbrechen Sie in diesem Fall Ihre Arbeit und lassen Sie die Batterie abkühlen. Anschließend können Sie das Gerät wieder normal verwenden.

Bitte beachten Sie die folgenden Warnhinweise.

WARNUNG

Zur Vermeidung einer ausgelaufenen Batterie, Erwärmung, Rauchentwicklung, Explosionen und vorzeitiger Zündung beachten Sie bitte die folgenden Vorsichtsmaßnahmen.

1. Stellen Sie sicher, dass sich Späne und Staub nicht auf der Batterie ansammeln.
 - Stellen Sie während der Arbeit sicher, dass Späne und Staub nicht auf die Batterie fallen.
 - Stellen Sie sicher, dass Staub und Späne, die während der Bearbeitung auf das Elektrowerkzeug fallen, nicht in die Batterie gelangen.
 - Lagern Sie ungebrauchte Batterien nicht an Plätzen, an denen Staub oder Späne anfallen.
 - Vor dem Einlagern einer Batterie sind sämtlicher Staub und Späne zu entfernen. Weiterhin ist zu berücksichtigen, dass die Batterie nicht gemeinsam mit Metallteilen (Schrauben, Nägel, usw.) zu lagern ist.
2. Achten Sie darauf, dass die Batterie nicht durch einen spitzen Gegenstand, beispielsweise einen Nagel, beschädigt wird. Vermeiden Sie Schläge mit dem Hammer. Treten Sie nicht gegen die Batterie, werfen Sie diese nicht, und vermeiden Sie Stöße.
3. Beschädigte oder verformte Batterien dürfen nicht weiter verwendet werden.

4. Achten Sie auf den richtigen Anschluss der Pole.
5. Schließen Sie die Batterie nicht direkt an elektrische Ausgänge oder Zigarettenanzünder im Auto an.
6. Verwenden Sie die Batterie nur für den angegebenen Zweck.
7. Falls die Batterie nach Verstreichen der angegebenen Ladezeit nicht vollständig aufgeladen ist, brechen Sie den Ladevorgang unverzüglich ab.
8. Vermeiden Sie hohe Temperaturen und hohen Druck, wie er beispielsweise in der Mikrowelle, einem Trockner oder einem Hochdruckbehälter auftritt.
9. Wenn Sie ein Leck oder Rußgeruch feststellen, vermeiden Sie jeglichen Kontakt mit Feuerstellen.
10. Vermeiden Sie eine Verwendung an Orten, an denen starke statische Elektrizität erzeugt wird.
11. Werden ein Leck, Rußgeruch, Erwärmung, Verfärbungen, Verformungen oder sonstige Anomalitäten während der Verwendung, des Aufladens oder der Lagerung festgestellt, entfernen Sie die Batterie unverzüglich vom Gerät oder dem Ladegerät und beenden Sie die Anwendung.

VORSICHT

1. Tritt die auslaufende Flüssigkeit in Kontakt mit Ihren Augen, reiben Sie diese nicht, sondern waschen Sie sie mit sauberem (Leitungs-) Wasser gut aus und suchen Sie unverzüglich einen Arzt auf. Ohne sachgemäße Behandlung können Augenverletzungen auftreten.
2. Wenn die ausgelaufene Flüssigkeit auf Haut oder Kleidung trifft, waschen Sie diese unverzüglich mit sauberem Wasser ab.
Es besteht die Gefahr von Hautreizungen.
3. Beim Auftreten von Rost, Rußgeruch, Erwärmung, Verfärbungen, Verformungen oder sonstigen Anomalitäten während der ersten Verwendung der Batterie, ist diese nicht weiter zu verwenden. Bringen Sie die Batterie zum Händler oder Verkäufer zurück.

WARNUNG

Wenn ein elektrischer Fremdkörper an die Anschlüsse des Lithium-Ionen-Akkus gelangt, kann es zu einem Kurzschluss und der Gefahr eines Feuers kommen. Beachten Sie folgende Vorsichtsmaßnahmen bei der Aufbewahrung des Akkus.

- **Legen Sie keine elektrisch leitenden Späne, Nägel, Stahldraht, Kupferdraht oder anderen Draht in den Aufbewahrungskoffer.**
- **Setzen Sie den Akku entweder in das Gerät ein oder lagern Sie ihn, um Kurzschlüsse zu vermeiden, indem Sie ihn in die Batterieabdeckung hineindrücken, bis die Belüftungslöcher verdeckt sind. (Siehe Abb. 1)**

TECHNISCHE DATEN

ELEKTRO-WERKZEUG

Leerlaufdrehzahl	0-2500 min ⁻¹
Kapazität (Üblicher Bolzen)	M5 – M12
Spanndrehkraft (Maximal)	95 N·m
Wiederaufladbare Batterie	BCL1015: Li-ion 10,8 V / 12 V Spitzenspannung (1,5 Ah 3 Zellen)
Gewicht	1,0 kg

LADEGERÄT

Model	UC10SFL
Ladespannung	10,8 V
Gewicht	0,35 kg

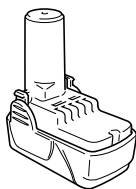
STANDARDZUBEHÖR

WH10DFL (2LCSK)	① Plusschrauber-Bit (Nr. 2 × 50L)	1
	② Batterie (BCL1015)	2
	③ Ladegerät (UC10SFL)	1
	④ Plastikgehäus	1
	⑤ Batterieabdeckung	1

Das Standardzubehör kann ohne vorherige Bekanntmachung jederzeit geändert werden.

SONDERZUBEHÖR (separat zu beziehen)

1. Batterie (BCL1015)



Das Sonderzubehör kann ohne vorherige Bekanntmachung jederzeit geändert werden

VERWENDUNG

- Einschrauben und Entfernung von Maschinenschrauben, Holzschrauben, Schneidschrauben, etc.

HERAUSNEHMEN/EINSETZEN DER BATTERIE

1. **Herausnehmen der Batterie**
Den Handgriff festhalten und die Batterieverriegelungen drücken, um die Batterie herauszunehmen (siehe **Abb. 1** und **2**).

ACHTUNG:

Die Kontakte des Batterie niemals kurzschließen.

2. **Einsetzen des Batterie**

Den Batterie unter Beachtung der richtigen Richtung in das Gerät einsetzen (siehe **Abb. 2**).

LADEN

Vor Gebrauch des Akku-Werkzeugs, den Akkumulator wie folgt laden.

1. **Das Ladegerätkabel an den Wechselstromausgang schließen**
2. **Die Batterie in das Ladegerät einlegen**
Die Batterie so ausrichten, daß ihr Typenschild gegen das Typenschild des Ladegeräts weist und die Batterie hineindrücken, bis sie die Grundplatte berührt (siehe **Abb. 3**).
Das Ladegerät schaltet sich beim Einsetzen des Akkus ein (die Kontrolllampe leuchtet auf).

ACHTUNG

Wenn die Kontrolllampe nicht aufleuchtet, das Netzkabel von der Steckdose abtrennen und die Einsetzrichtung der Batterie prüfen.

Die Kontrolllampe erlischt, wenn die Batterie vollgeladen ist.

ACHTUNG

Falls die Batterie wegen direkten Sonnenstrahlen, usw., gleich nach Betrieb überhitzt wird, mag es vorkommen, daß die Ladekontrolllampe nicht aufleuchtet. In diesem Fall, die Batterie zuerst abkühlen lassen, und danach laden.

- Über die Aufladezeit

Tafel 1 Zeigt die erforderliche Ladezeit entsprechend dem Batterietyp.

Tafel 1 Aufladezeit (Etwa. min.) bei 20°C

Batteriespannung (V)	Batteriekapazität (Ah)	
	1,5 Ah	
10,8 V	BCL1015	40 min.

HINWEIS: Die Aufladezeit kann je nach Umgebungstemperatur.

3. **Den Netzstecker des Ladegeräts aus der Steckdose ziehen**

4. **Das Ladegerät festhalten und die Batterie herausziehen**

HINWEIS

Achten Sie darauf, die Batterie nach der Verwendung aus dem Ladegerät zu nehmen und sie aufzubewahren.

Verlängerung der Lebensdauer von Batterien

- (1) Die Batterien aufladen, bevor sie völlig erschöpft sind. Wenn festgestellt wird, daß die Leistung des Werkzeugs nachläßt, mit der Arbeit aufhören und die Batterie aufladen.

Wenn das Werkzeug weiter verwendet wird und die Batterie völlig erschöpft wird, kann die Batterie beschädigt und ihre Lebensdauer verkürzt werden.

- (2) Nicht bei hohen Temperaturen aufladen. Eine Akkubatterie erhitzt sich bei der Verwendung. Wenn solch eine Batterie sofort nach der Verwendung aufgeladen wird, werden die Batteriechemikalien beeinträchtigt, und die Batterielebensdauer nimmt ab. Die Batterie etwas stehen lassen und erst aufladen, wenn sie sich abgekühlt hat.

ACHTUNG:

- Ist das Ladegerät in ständigem Gebrauch, kann eine Überhitzung zu Störungen führen. Warten Sie nach abgeschlossener Aufladung 15 Minuten, bevor Sie mit dem nächsten Ladevorgang beginnen.
- Sollte das Ladegerät trotz korrekt montierten Batterien nicht richtig arbeiten, sind die Batterien oder das Ladegerät fehlerhaft. Lassen Sie die Teile von einem autorisierten Kundendienst prüfen.

VOR INBETRIEBNAHME

1. **Aufstellung und überprüfung der Arbeitsumgebung**
Prüfen Sie, ob die Arbeitsumgebung obigen Vorsichtsmaßnahmen entspricht.

ANWENDUNG

1. Anbringung des Schraubstücks

Beim Anbringen des Schraubstücks immer den folgenden Anweisungen folgen. (Abb. 4)

- (1) Schieben Sie die Führungsmuffe nach vorne.
- (2) Fügen Sie die Bohrspitze in das Sechskantloch der Hülse.
- (3) Die Führungsmuffe loslassen, so daß sie in ihre herkömmliche Position zurückkehren kann.

ACHTUNG:

Sollte die Führungsmuffe nicht in ihre herkömmliche Position zurückkehren, ist das Schraubstück nicht ordnungsgemäß eingesetzt.

2. Entfernen der Bohrspitze

Verfahren Sie entgegengesetzt der Methode für das Einfügen der Bohrspitze.

3. Sich vergewissern, daß die Batterie richtig angebracht ist

4. Die Drehrichtung nachprüfen

Die Bohrspitze dreht sich nach rechts (von der Hinterseite gesehen), wenn auf die R-Seite des Wählhebels gedrückt wird.

Um die Bohrspitze nach links zu drehen auf die L-Seite des Wählhebels drücken (Siehe Abb. 5). (Die (L) und (R) Zeichen sind auf dem Körper markiert).

5. Betätigung des Schalters

- Wenn der Schaltertrigger gedrückt ist, dreht sich das Werkzeug. Wenn ausgelöst, wird das Werkzeug abgestellt.
- Die Drehgeschwindigkeit des Bohrers kann durch Verändern des Betrags des Ziehens am Auslöser geregelt werden. Die Geschwindigkeit ist niedrig, wenn der Auslöser nur gering gezogen wird und nimmt zu, wenn er stärker gezogen.

HINWEIS

- Wenn der Motor beginnt, zu rotieren, ist ein Summen zu hören. Dabei handelt es sich nicht um eine Störung.

6. Verwendung des Lichts

Ziehen Sie den Auslöseschalter, damit die Lampe leuchtet. Solange der Auslöseschalter gezogen ist, leuchtet die Lampe. Wenn Sie den Auslöseschalter loslassen, erlischt das Licht. (Abb. 6)

ACHTUNG:

Sehen Sie nicht direkt in das Licht. Dies könnte zu Augenverletzungen führen.

7. Anziehen und Lösen von Schrauben

Das der Schraube entsprechende Schraubstück aufsetzen, das Schraubstück in den Schlitten der Schraube abgleichen, und anziehen.

Den Schlag-Schrauber nur soweit drücken, daß das Schraubstück gut in den Schlitten der Schraube sitzt.

ACHTUNG

Ein zu langes Anschrauben mit dem Schlag-Schrauber zieht die Schraube zu stark an; die Schraube kann so schnell brechen.

Sollte versucht werden, mit dem Schlag-Schrauber eine Schraube anzuziehen, wenn sich der Schlag-Schrauber in einem Winkel zur Schraube befindet, kann die Preßkraft des Geräts nicht voll zur Geltung kommen; außerdem kann der Schraubenkopf beschädigt werden. Anziehen, wenn sich der Schlag-Schrauber mit der Schraube auf einer Linie befindet.

VORSICHTSMASREGELN ZUR VERWENDUNG

1. Lassen Sie das Gerät nach fortlaufender Verwendung ruhen

Wenn fortlaufend Schrauben angezogen worden sind, so lassen Sie das Gerät beim Batteriewechsel etwa 15 Minuten ruhen. Wenn das Gerät direkt nach dem Batteriewechsel wieder verwendet wird, werden der Motor, der Schalter und andere Teile heiß und es kann zu Brandschäden kommen.

HINWEIS

Berühren Sie die Metallteile nicht, da sie bei kontinuierlichem Betrieb ziemlich heiß werden.

2. Vorsichtsmaßregeln für den Geschwindigkeits-regler

Dieser Schalter hat eine eingebaute elektronische Schaltung, die die Drehgeschwindigkeit stufenlos variiert. Entsprechend können Teile der elektronischen Schaltung überhitzt und beschädigt werden, wenn der Drücker nur leicht gezogen wird (niedrige Drehzahl) und der Motor gestoppt ist, während kontinuierlich Schrauben eingedreht werden.

3. Eine der Schraube angemessene Anzugszeit wählen

Das richtige Drehmoment für die jeweilige Schraube ist je nach Material und Größe der Schraube unterschiedlich. Besonders bei langer Anzugszeit bei Schrauben kleineren Typs als M8 besteht die Gefahr, daß die Schrauben brechen; darum immer vor der Arbeit sicherstellen, daß Anzugszeit und Anzugsdrehmoment richtig gewählt sind.

4. Arbeiten mit einem geeigneten Anzugsdrehmoment

Das optimale Anzugsdrehmoment für Muttern und Schrauben ist abhängig von dem Material und der Größe der Muttern und Schrauben. Ein sehr großes Anzugsdrehmoment kann kleine Schraube verzerren oder brechen. Das Anzugsdrehmoment steigt proportional zur Betriebszeit an. Für das Anziehen von Schrauben ist auf korrekte Einstellung der Einstellscheibe und Betriebsdauer zu achten.

5. Überprüfung des Anzugsdrehmoments

Die folgenden Faktoren tragen zu einer Reduzierung des Anzugsdrehmoments bei. Daher zur Feststellung des erforderlichen Drehmoments vor der eigentlichen Arbeit einige Schrauben mit einem Hand-Drehmomentschlüssel anziehen. Bei Faktoren, die das Anzugsdrehmoment beeinflussen, wie unten angegeben vorgehen.

(1) Spannung

Wenn die Entladungsmarke erreicht ist, nimmt die Spannung ab und die Spanndrehkraft sinkt.

(2) Betriebszeit

Das Anzugsdrehmoment nimmt mit der Betriebszeit zu. Aber das Anzugsdrehmoment übersteigt einen bestimmten Wert nicht, auch wenn das Werkzeug eine lange Zeit angewendet wird.

(3) Schraubendurchmesser

Die Spanndrehkraft ändert sich je nach Durchmesser des Bolzens. Allgemein braucht ein Bolzen mit größerem Durchmesser eine höhere Spanndrehkraft.

(4) Anzugsbedingungen

Das Anzugsdrehmoment ist abhängig von dem Drehmomentverhältnis, der Klasse und der Länge der Schrauben, auch bei Schrauben mit Gewinde der gleichen Größe. Das Anzugsdrehmoment ist außerdem abhängig von der Metalloberfläche, durch die Schrauben angezogen werden. Wenn sich Bolzen und Mutter gleichzeitig drehen, liegt die Drehkraft äußerst niedrig.

WARTUNG UND INSPEKTION

1. Prüfen des Schraubstücks

Die Benutzung eines beschädigten Schraubstücks oder ein Schraubstück mit abgenutzter Spitze ist gefährlich, da es leicht aus den Schlitzen der Schraube rutscht. Daher sofort austauschen.

2. Nachprüfen der Befestigungsschrauben

Alle Befestigungsschrauben regelmäßig auf gute Festschraubung nachprüfen. Falls irgendeine der Schrauben locker sein sollte, sofort anziehen. Vernachlässigung dieses Punktes kann zu erheblicher Gefahr führen.

3. Wartung des Motors

Die Motorwicklung ist das „Herz“ des Elektrowerkzeugs. Daher ist besonders sorgfältig darauf zu achten, daß die Wicklung nicht beschädigt wird und/oder mit Öl oder Wasser in Berührung kommt.

4. Außenreinigung

Wenn der Bohrschrauber schmutzig ist, ihn mit einem weichen und trockenen Tuch abwischen oder mit einem in Seifenwasser benetzten Tuch. Kein Chlorsolvent, Benzin oder Farbsolvent verwenden da sie plastik-Material schmelzen.

5. Lagern

Den Bohrschrauber an einen Ort aufbewahren wo die Temperatur unter 40°C ist und außer Reichweite der Kinder.

6. Liste der Wartungsteile

ACHTUNG:

Reparatur, Modifikation und Inspektion von Hitachi-Elektrowerkzeugen müssen durch ein autorisiertes Hitachi-Kundendienstzentrum durchgeführt werden. Diese Teileliste ist hilfreich, wenn sie dem autorisierten Hitachi-Kundendienstzentrum zusammen mit dem Werkzeug für Reparatur oder Wartung ausgehändigt wird.

Bei Betrieb und Wartung von Elektrowerkzeugen müssen die Sicherheitsvorschriften und Normen beachtet werden.

MODIFIKATIONEN:

Hitachi-Elektrowerkzeuge werden fortwährend verbessert und modifiziert, um die neuesten technischen Fortschritte einzubauen.

Dementsprechend ist es möglich, daß einige Teile ohne vorherige Benachrichtigung geändert werden.

GARANTIE

Auf Hitachi-Elektrowerkzeuge gewähren wir eine Garantie unter Zugrundelegung der jeweils geltenden gesetzlichen und landesspezifischen Bedingungen. Dieses Garantie erstreckt sich nicht auf Gehäusedefekte und nicht auf Schäden, die auf Missbrauch, bestimmungswidrigen Einsatz oder normalen Verschleiß zurückzuführen sind. Im Schadensfall senden Sie das nicht zerlegte Elektrowerkzeug zusammen mit dem GARANTIESCHEIN, den Sie am Ende der Bedienungsanleitung finden, an ein von Hitachi autorisiertes Servicecenter.

HINWEIS:

Aufgrund des ständigen Forschungs und Entwicklung sprogramms von HITACHI sind änderungen der hierin gemachten technischen Angaben vorbehalten.

Information über Betriebslärm und Vibration

Die gemessenen Werte wurden entsprechend EN60745 bestimmt und in Übereinstimmung mit ISO 4871 ausgewiesen.

Gemessener A-gewichteter Schallpegel: 103 dB (A)

Gemessener A-gewichteter Schalldruck: 92 dB (A)

Messunsicherheit KpA: 3 dB (A)

Bei der Arbeit immer einen Gehörschutz tragen.

Gesamtvibrationswerte (3-Achsen-Vektorsumme), bestimmt gemäß EN60745.

Bei Befestigung der Halterung die Maximalkapazität des Werkzeugs beachten:

Vibrationsemissionswert $a_h = 18,1 \text{ m/s}^2$

Messunsicherheit K = 1,5 m/s^2

WARNUNG

- Der Vibrationsemissionswert während der tatsächlichen Benutzung des Elektrowerkzeugs kann von dem deklarierten Wert abweichen, abhängig davon, wie das Werkzeug verwendet wird.
- Zur Festlegung der Sicherheitsmaßnahmen zum Schutz des Bedieners, die auf einer Expositionseinschätzung unter den tatsächlichen Benutzungsbedingungen beruhen (unter Berücksichtigung aller Bereiche des Betriebszyklus, darunter neben der Triggerzeit auch die Zeiten, in denen das Werkzeug ausgeschaltet ist oder im Leerlaufbetrieb läuft).

ΓΕΝΙΚΕΣ ΠΡΟΕΙΔΟΠΟΙΗΣΕΙΣ ΑΣΦΑΛΕΙΑΣ ΗΛΕΚΤΡΙΚΟΥ ΕΡΓΑΛΕΙΟΥ

⚠️ ΠΡΟΣΟΧΗ

Διαβάστε όλες τις προειδοποιήσεις ασφαλείας και όλες τις οδηγίες.

Η μη τήρηση των προειδοποιήσεων και οδηγιών μπορεί να προκαλέσει ηλεκτροπληξία, πυρκαγιά και/ή σοβαρό τραυματισμό.

Φυλάξτε όλες τις προειδοποιήσεις και τις οδηγίες για μελλοντική αναφορά.

Ο όρος "ηλεκτρικό εργαλείο" στις προειδοποιήσεις αναφέρεται στο ηλεκτρικό εργαλείο (με καλώδιο) που λειτουργεί στους αγωγούς ή στο ηλεκτρικό εργαλείο που λειτουργεί στη μπαταρία (χωρίς καλώδιο).

1) Ασφάλεια χώρου εργασίας

a) Διατηρείτε το χώρο εργασίας καθαρό και καλά φωτισμένο.

Σε ακατάστατες ή σκοτεινές περιοχές μπορεί να προκληθούν ατυχήματα.

b) Μην χρησιμοποιείτε τα ηλεκτρικά εργαλεία σε περιβάλλον, στο οποίο μπορεί να προκληθεί έκρηξη, όπως παρουσία εύφλεκτων υγρών, αερίων ή σκόνης. Τα ηλεκτρικά εργαλεία δημιουργούν σπινθήρες, οι οποίοι μπορεί να αναφλέξουν τη σκόνη ή τον καπνό.

c) Κρατήστε τα παιδιά και τους παρευρισκόμενους μακριά όταν χρησιμοποιείτε ένα ηλεκτρικό εργαλείο. Αν αποσπαστεί η προσοχή σας, υπάρχει κίνδυνος να χάσετε τον έλεγχο.

2) Ηλεκτρική ασφάλεια

a) Τα φως των ηλεκτρικών εργαλείων πρέπει να είναι κατάλληλα για τις πρίζες.

Μην τροποποιήσετε ποτέ το φως με οποιονδήποτε τρόπο.

Μη χρησιμοποιείτε φως προσαρμογής με γειωμένα ηλεκτρικά εργαλεία.

Τα μη τροποποιημένα φως και οι κατάλληλες πρίζες μειώνουν τον κίνδυνο ηλεκτροπληξίας.

b) Αποφύγετε τη σωματική επαφή με γειωμένες επιφάνειες όπως σωλήνες, θερμάστρες, μαγειρικές συσκευές και ψυγεία.

Υπάρχει αυξημένος κίνδυνος ηλεκτροπληξίας όταν το σώμα σας είναι γειωμένο.

c) Μην εκθέτετε τα ηλεκτρικά εργαλεία στη βροχή ή σε συνθήκες υγρασίας.

Το νερό που εισέρχεται σε ένα ηλεκτρικό εργαλείο αυξάνει τον κίνδυνο ηλεκτροπληξίας.

d) Μην ασκείτε δύναμη στο καλώδιο. Μη χρησιμοποιείτε ποτέ το καλώδιο για να μεταφέρετε, να τραβήξετε ή να θάψετε από την πρίζα το ηλεκτρικό εργαλείο.

Κρατήστε το καλώδιο μακριά από θερμότητα, λάδι, κοφτερές γωνίες και κινούμενα μέρη.

Τα κατεστραμμένα ή μπερδεμένα καλώδια αυξάνουν τον κίνδυνο ηλεκτροπληξίας.

e) Όταν χρησιμοποιείτε το εργαλείο σε εξωτερικό χώρο, χρησιμοποιήστε καλώδιο προέκτασης που προορίζεται για χρήση σε εξωτερικό χώρο.

Η χρήση ενός καλωδίου κατάλληλου για εξωτερικό χώρο μειώνει τον κίνδυνο ηλεκτροπληξίας.

f) Αν είναι αναπόφευκτη η λειτουργία ενός ηλεκτρικού εργαλείου σε χώρο με υγρασία, χρησιμοποιείτε διάταξη προστασίας ρεύματος διαρροής (RCD).

Η χρήση της RCD μειώνει τον κίνδυνο ηλεκτροπληξίας.

3) Προσωπική ασφάλεια

a) Να είστε σε ετοιμότητα, να βλέπετε αυτό που κάνετε και να χρησιμοποιείτε την κοινή λογική όταν χρησιμοποιείτε ένα ηλεκτρικό εργαλείο.

Μη χρησιμοποιείτε ηλεκτρικά εργαλεία όταν είστε κουρασμένοι ή υπό την επήρεια ναρκωτικών ουσιών, οινοπνεύματος ή φαρμάκων.

Μια στιγμή απροσεξίας κατά τη χρήση ενός ηλεκτρικού εργαλείου μπορεί να προκαλέσει σοβαρό προσωπικό τραυματισμό.

b) Χρησιμοποιείτε προσωπικό προστατευτικό εξοπλισμό. Φοράτε πάντα προστασία για τα μάτια. Ο προστατευτικός εξοπλισμός, όπως μάσκα για τη σκόνη, αντιολισθητικά παπούτσια, σκληρό καπέλο ή προστασία για τα αυτιά, που χρησιμοποιείται για ανάλογες συνθήκες μπορεί να μειώσει τους τραυματισμούς.

c) Προλαμβάνετε τυχόν ακούσια εκκίνηση. Βεβαιωθείτε ότι ο διακόπτης είναι σε θέση απενεργοποίησης πριν συνδέσετε τη συσκευή με πηγή ρεύματος και/ή τη θήκη της μπαταρίας, πριν σηκώσετε ή μεταφέρετε το εργαλείο.

Η μεταφορά ηλεκτρικού εργαλείου με τα δάχτυλά σας στο διακόπτη ή η ηλεκτροδότηση ηλεκτρικού εργαλείου με ενεργοποιημένο το διακόπτη μπορεί να προκαλέσουν ατυχήματα.

d) Να αφαιρείτε τυχόν κλειδιά ρυθμιζόμενου ανοιγματος ή τα απλά κλειδιά πριν θέσετε σε λειτουργία το ηλεκτρικό εργαλείο.

Ένα απλό κλειδί ή ένα κλειδί ρυθμιζόμενου ανοιγματος που είναι προσαρτημένο σε περιστρεφόμενο εξάρτημα του ηλεκτρικού εργαλείου μπορεί να προκαλέσει προσωπικό τραυματισμό.

e) Μην τεντώνεστε. Να διατηρείτε πάντοτε το κατάλληλο πάτημα και την ισορροπία σας.

Με αυτόν τον τρόπο μπορείτε να ελέγχετε καλύτερα το ηλεκτρικό εργαλείο σε μη αναμενόμενες καταστάσεις.

f) Να είστε ντυμένοι κατάλληλα. Μη φοράτε φαρδιά ρούχα ή κοσμήματα. Να κρατάτε τα μαλλιά σας, τα ρούχα σας και τα γάντια σας μακριά από κινούμενα μέρη.

Τα φαρδιά ρούχα, τα κοσμήματα και τα μακριά μαλλιά μπορεί να πιαστούν σε κινούμενα μέρη.

g) Αν παρέχονται εξαρτήματα για τη σύνδεση συσκευών εξαγωγής και συλλογής σκόνης, να βεβαιώνετε ότι είναι συνδεδεμένα και χρησιμοποιούνται με το σωστό τρόπο.

Η χρήση συλλέκτη σκόνης μειώνει τους κινδύνους που προέρχονται από τη σκόνη.

4) Χρήση και φροντίδα ηλεκτρικών εργαλείων

a) Μην ασκείτε δύναμη στο ηλεκτρικό εργαλείο. Να χρησιμοποιείτε το ηλεκτρικό εργαλείο που είναι κατάλληλο για το είδος της εργασίας που εκτελείτε. Το κατάλληλο ηλεκτρικό εργαλείο θα εκτελέσει την εργασία καλύτερα και με μεγαλύτερη ασφάλεια με τον τρόπο που σχεδιάστηκε.

b) Μη χρησιμοποιήσετε το ηλεκτρικό εργαλείο αν ο διακόπτης λειτουργίας δεν ανοίγει και δεν κλείνει. Ένα ηλεκτρικό εργαλείο που δεν ελέγχεται από το διακόπτη λειτουργίας είναι επικίνδυνο και πρέπει να επισκευαστεί.

c) Αποσυνδέστε το θύμα από την πηγή ισχύος και/ή τη θήκη μπαταρίας από το ηλεκτρικό εργαλείο πριν προβείτε σε ρυθμίσεις, αλλαγή εξαρτήματος ή αποθήκευση του ηλεκτρικού εργαλείου.

Αυτά τα προληπτικά μέτρα ασφαλείας μειώνουν τον κίνδυνο να ξεκινήσει το ηλεκτρικό εργαλείο κατά λάθος.

- d) Αποθηκεύετε τα εργαλεία που δεν χρησιμοποιείτε μακριά από παιδιά και μην αφήνετε τα άτομα που δεν είναι εξοικειωμένα με το ηλεκτρικό εργαλείο ή με αυτές τις οδηγίες να χρησιμοποιούν το ηλεκτρικό εργαλείο.
Τα ηλεκτρικά εργαλεία είναι επικίνδυνα στα χέρια μη εκπαιδευμένων ατόμων.
- e) **Συντηρείτε τα ηλεκτρικά εργαλεία. Να ελέγχετε την ευθυγράμμιση τους ή το μπλοκάρισμα των κινούμενων μερών, τη θραύση των εξαρτημάτων και οποιαδήποτε άλλη κατάσταση που ενδέχεται να επηρεάσει τη λειτουργία του ηλεκτρικού εργαλείου. Σε περίπτωση θλάθης, το ηλεκτρικό εργαλείο πρέπει να επισκευαστεί πριν χρησιμοποιηθεί.**
Πολλά ατυχήματα προκαλούνται από ηλεκτρικά εργαλεία που δεν έχουν συντηρηθεί σωστά.
- f) **Διατηρείτε τα εργαλεία κοπής κοφτερά και καθαρά.**
Τα κατάλληλα συντηρημένα εργαλεία κοπής με κοφτερές γωνίες μπλοκάρουν πιο δύσκολα και ελφίζονται πιο εύκολα.
- g) **Χρησιμοποιείτε το ηλεκτρικό εργαλείο, τα εξαρτήματα και τα μέρη κ.τ.λ. σύμφωνα με τις παρούσες οδηγίες, λαμβάνοντας υπόψη τις συνθήκες εργασίας και την εργασία που θα εκτελέσετε.**
Η χρήση του ηλεκτρικού εργαλείου για εργασίες πέρα από εκείνες για τις οποίες προορίζεται, ενδέχεται να δημιουργήσει κινδύνους.
- 5) **Εργαλείο μπαταρίας – χρήση και φροντίδα**
- a) **Η επαναφόρτιση να πραγματοποιείται μόνο μέσω του φορτιστή που έχει καθοριστεί από τον κατασκευαστή.**
Ο φορτιστής που είναι κατάλληλος για ένα τύπο μπαταρίας, ενδέχεται να προκαλέσει κίνδυνο πυρκαγιάς όταν χρησιμοποιείται με άλλου τύπου θήκη μπαταριών.
- b) **Χρησιμοποιήστε ηλεκτρικά εργαλεία μόνο με τις ειδικά καθορισμένες θήκες μπαταριών.**
Η χρήση οποιοδήποτε άλλου τύπου θήκης μπαταριών ενδέχεται να προκαλέσει τραυματισμό και πυρκαγιά.
- c) **Όταν η θήκη μπαταριών είναι εκτός χρήσης, φυλάξτε την μακριά από άλλα μεταλλικά αντικείμενα όπως συνδετήρες, νομίσματα, κλειδιά, καρφιά, βίδες ή άλλα μικρού μεγέθους μεταλλικά αντικείμενα που μπορούν να πραγματοποιήσουν σύνδεση από τον ένα ακροδέκτη στον άλλο.**
Αν τοποθετήσετε μαζί τους ακροδέκτες μπαταριών ενδέχεται να προκληθούν εγκαύματα ή πυρκαγιά.
- d) **Υπό καταχρηστικές συνθήκες, ενδέχεται να εκτοξευτεί υγρό από την μπαταρία. Αποφύγετε την επαφή.**
Σε περίπτωση επαφής με το υγρό από σφάλμα, ξεπλύνετε με νερό. Αν το υγρό έρθει σε επαφή με τα μάτια, ξεπλύνετε με νερό και ζητήστε ιατρική βοήθεια.
Το υγρό που εκτοξεύεται από την μπαταρία μπορεί να προκαλέσει ερεθισμό ή εγκαύματα.
- 6) **Σέρβις**
- a) **Να δίνετε το ηλεκτρικό εργαλείο για σέρβις σε κατάλληλα εκπαιδευμένα άτομα και να χρησιμοποιείτε μόνο γνήσια ανταλλακτικά.**
Με αυτόν τον τρόπο είστε σίγουροι για την ασφάλεια του ηλεκτρικού εργαλείου.

ΠΡΟΦΥΛΑΚΤΙΚΑ ΜΕΤΡΑ ΓΙΑ ΤΟ ΔΡΑΠΑΝΟΚΤΑΞΙΔΟ ΜΠΑΤΑΡΙΑΣ

1. Αυτό είναι ένα φορητό εργαλείο για το σφίξιμο και ξεσφίξιμο των βιδών. Χρησιμοποιήστε το μόνο για αυτή τη λειτουργία.
2. Χρησιμοποιήστε ωτοασπίδες αν πρόκειται να το χρησιμοποιήσετε για μακρό χρονικό διάστημα.
3. Ο χειρισμός με το ένα χέρι είναι εξαιρετικά επικίνδυνος. Κρατήστε τη συσκευή με τα δυο χέρια κατά τη χρήση.
4. Μετά την εγκατάσταση της λεπίδας κίνησης, τραβήξτε ελαφρά προς τα έξω τα λεπίδα για να σιγουρευτείτε ότι έχει στερεωθεί. Αν η λεπίδα δεν έχει εγκατασταθεί κατάλληλα, μπορεί να χαλαρώσει κατά τη χρήση, το οποίο είναι επικίνδυνο.
5. Χρησιμοποιήστε τη λεπίδα που ταιριάζει στη βίδα.
6. Το σφίξιμο της βίδας με το δραπανοκατσάβιδο μπαταρίας σε γωνία προς τη βίδα μπορεί να προκαλέσει την φθορά στην κεφαλή της βίδας και η κατάλληλη δύναμη να μην μεταδοθεί στη βίδα. Σφίξτε με αυτό το δραπανοκατσάβιδο σε ευθεία γραμμή με τη βίδα.
7. Πάντοτε φορτίζετε την μπαταρία σε θερμοκρασία ανάμεσα 0 - 40°C. Η φόρτιση της μπαταρίας σε θερμοκρασίες εκτός του φάσματος των 0 - 40°C μπορεί να προκαλέσει εσφαλμένη φόρτιση και μείωση της διάρκειας ζωής της μπαταρίας.
Η πιο κατάλληλη θερμοκρασία για φόρτιση είναι αυτή των 20 - 25°C.
8. Όταν η μια φόρτιση ολοκληρωθεί, αφήστε το φορτιστή για 15 λεπτά πριν από την επόμενη φόρτιση μπαταρίας.
Μην φορτίζετε την μπαταρία για περισσότερο από 2 ώρες.
9. Μην αφήσετε ξένα υλικά να μπουν στην τρύπα σύνδεσης της επαναφορτιζόμενης μπαταρίας.
10. Ποτέ μην αποσυαρμολογήσετε την επαναφορτιζόμενη μπαταρία και το φορτιστή.
11. Ποτέ μην βραχυκυκλώσετε την επαναφορτιζόμενη μπαταρία. Το βραχυκύκλωμα της μπαταρίας θα προκαλέσει ένα μεγάλο ηλεκτρικό ρεύμα και υπερθέρμανση. Προκαλεί το κάψιμο ή την υπερθέρμανση της μπαταρίας.
12. Μην πετάξετε την μπαταρία στη φωτιά.
Αν η μπαταρία καεί μπορεί να εκραγεί.
13. Όταν ανοίγετε τρύπα στον τοίχο, στο δάπεδο ή στην οροφή, ελέγξτε για κρυμμένα ηλεκτρικά καλώδια κλπ.
14. Πηγαίνετε την μπαταρία στο κατάστημα από το οποίο την αγοράσατε όταν η διάρκεια ζωής της μπαταρίας μετά από την φόρτιση έχει γίνει πολύ μικρή για πρακτική χρήση. Μην πετάξετε την τελειωμένη μπαταρία.
15. Η χρησιμοποίηση μια εξασθενημένης μπαταρίας θα προκαλέσει βλάβη στο φορτιστή.
16. Μην βάλτε κανένα αντικείμενο μέσα στις τρύπες εξαερισμού του φορτιστή.
Η είσοδος μεταλλικών αντικειμένων ή εύφλεκτων υλικών στις τρύπες εξαερισμού του φορτιστή θα προκαλέσει τον κίνδυνο ηλεκτροπληξίας ή την καταστροφή του φορτιστή.

ΠΡΟΦΥΛΑΞΗ

Μακριά από τα παιδιά και τους αναπήρους.
Όταν δεν χρησιμοποιούνται, τα εργαλεία πρέπει να φυλάσσονται μακριά από τα παιδιά και τους αναπήρους.

ΠΡΟΣΟΧΗ ΣΤΗΝ ΜΠΑΤΑΡΙΑ ΙΟΝΤΩΝ ΛΙΘΙΟΥ

Για την επέκταση του χρόνου διάρκειας της μπαταρίας ιόντων λιθίου υπάρχει η λειτουργία προστασίας που σταματά την ισχύς εξόδου. Στις περιπτώσεις 1 έως 3 περιγράφονται κατωτέρω, κατά τη χρήση του προϊόντος, ακόμη και τραβιέ το διακόπτη ο κινητήρας ενδέχεται να σταματήσει. Αυτό δεν είναι το πρόβλημα αλλά το αποτέλεσμα της λειτουργίας προστασίας.

- Όταν η υπόλοιπη ισχύς της μπαταρίας που απομένει τελειώσει, ο κινητήρας σταματάει. Στην περίπτωση αυτή θα πρέπει να τη φορτίσετε αμέσως.
- Εάν υπάρχει υπερφόρτιση του εργαλείου ο κινητήρας ενδεχομένως να σταματήσει. Στην περίπτωση αυτή απελευθερώστε το διακόπτη του εργαλείου και εξαλείψτε την αιτία της υπερφόρτισης. Έπειτα από αυτό μπορείτε να το χρησιμοποιήσετε πάλι.
- Αν η μπαταρία υπερθερμανθεί υπό το φόρτο εργασίας, η ισχύς της μπαταρίας μπορεί να σταματήσει. Σε αυτήν την περίπτωση, διακόπτετε τη χρήση της μπαταρίας και την αφήνετε να κρυώσει. Έπειτα μπορείτε να την ξαναχρησιμοποιήσετε.

Παρακαλείστε, επίσης, να τηρείτε τις ακόλουθες προειδοποιήσεις και προφυλάξεις.

ΠΡΟΕΙΔΟΠΟΙΗΣΗ

Για να αποφύγετε τυχόν διαρροή της μπαταρίας, παραγωγή θερμότητας, εκπομπή καπνού, έκρηξη ή ανάφλεξη, πρέπει να τηρείτε τις ακόλουθες προφυλάξεις.

- Βεβαιωθείτε ότι δεν συσσωρεύεται σκόνη στη μπαταρία.
 - Κατά την εργασία σας βεβαιωθείτε ότι δεν πέφτει σκόνη στη μπαταρία.
 - Βεβαιωθείτε ότι τυχόν σκόνες που πέφτουν πάνω στο ηλεκτρικό εργαλείο την ώρα που εργάζεστε με αυτό, δεν συσσωρεύονται στη μπαταρία.
 - Μην αποθηκεύετε αχρησιμοποίητες μπαταρίες σε σημείο εκτεθειμένο σε σκόνη.
 - Πριν να αποθηκεύσετε μία μπαταρία, απομακρύνετε τυχόν σκόνες που πιθανόν να έχουν κολλήσει πάνω της και μην την αποθηκεύετε μαζί με μεταλλικά μέρη (βίδες, καρφιά, κ.λπ.).
- Μην τρυπάτε τη μπαταρία με αιχμηρά αντικείμενα όπως καρφιά, μην χτυπάτε με σφυρί, μην πατάτε τη πετάτε τη μπαταρία. Προφυλάξτε την από ισχυρούς κραδασμούς.
- Μην χρησιμοποιείτε μία εμφανώς κατεστραμμένη ή παραμορφωμένη μπαταρία.
- Μην τοποθετείτε τη μπαταρία με λάθος τρόπο.

- Μην συνδέετε απευθείας σε ηλεκτρική πρίζα ή στην υποδοχή του αναπτήρα στα αυτοκίνητα.
- Μην χρησιμοποιείτε τη μπαταρία για χρήση άλλη πέραν της προβλεπόμενης.
- Σε περίπτωση που δεν ολοκληρώνεται επιτυχώς η διαδικασία φόρτισης της μπαταρίας ακόμα και όταν έχει περάσει ο καθορισμένος χρόνος επαναφόρτισης, σταματήστε αμέσως οποιαδήποτε προσπάθεια επαναφόρτισης.
- Η μπαταρία δεν πρέπει να εκτίθεται σε υψηλή θερμοκρασία ή υψηλή πίεση, όπως στην περίπτωση φούρνου μικροκυμάτων, ξηραντήρα ή δοχείου υψηλής πίεσης.
- Απομακρύνετε αμέσως από τη φωτιά σε περίπτωση διαρροής ή δυσσομίας.
- Μην χρησιμοποιείτε σε περιβάλλον με έντονο στατικό ηλεκτρισμό.
- Σε περίπτωση διαρροής της μπαταρίας, δυσσομίας, παραγωγής θερμότητας, αποχρωματισμού ή παραμόρφωσης της, ή σε περίπτωση που παρατηρηθεί κάτι μη φυσιολογικό κατά τη διάρκεια της χρήσης, της επαναφόρτισης ή της αποθήκευσης, αφαιρέστε αμέσως από τον εξοπλισμό ή από τον φορτιστή της μπαταρίας και σταματήστε να χρησιμοποιείτε.

ΠΡΟΣΟΧΗ

- Εάν διαρρέυσει υγρό από τη μπαταρία και έλθει σε επαφή με τα μάτια σας, μην τα τρίψετε, αλλά ξεπλύνετε τα πολύ καλά με καθαρό νερό όπως νερό βρύσης, και επικοινωνήστε αμέσως με γιατρό. Εάν όχι, το υγρό μπορεί να προκαλέσει προβλήματα στα μάτια σας.
- Εάν διαρρέυσει υγρό στο δέρμα ή τα ρούχα σας, ξεπλύνετε καλά με καθαρό νερό, όπως νερό βρύσης, αμέσως. Υπάρχει το ενδεχόμενο να ερεθιστεί το δέρμα.
- Εάν διαπιστώσετε σκουριά, δυσσομία, υπερθέρμανση, αποχρωματισμό, παραμόρφωση, και/ή άλλες ανωμαλίες κατά τη χρήση της μπαταρίας για πρώτη φορά, μην την χρησιμοποιήσετε, αλλά επιστρέψτε την στον υπεύθυνο προμηθευτή ή πωλητή.

ΠΡΟΕΙΔΟΠΟΙΗΣΗ

Εάν ένα ηλεκτρικά αγωγίμο ξένο σώμα εισέλθει στους πόλους της μπαταρίας ιόντων λιθίου, μπορεί να προκύψει βραχυκύκλωμα με αποτέλεσμα τον κίνδυνο πυρκαγιάς. Παρακαλούμε προσέχετε τα παρακάτω κατά την αποθήκευση της μπαταρίας.

- Μην τοποθετείτε ηλεκτρικά αγωγίμα τεμάχια, καρφιά, ατσάλινα, χάλκινα ή άλλα σύρματα στη θήκη αποθήκευσης.
- Τοποθετείτε την μπαταρία είτε μέσα στο ηλεκτρικό εργαλείο ή αποθηκεύετε την πιέζοντας δυνατά στο κάλυμμα της μπαταρίας, έως ότου αποκαλυφθούν οι οπές εξαερισμού, ώστε να αποφευχθούν οι βραχυκύκλωμα. (Δείτε Εικ. 1)

ΤΕΧΝΙΚΑ ΧΑΡΑΚΤΗΡΙΣΤΙΚΑ

ΗΛΕΚΤΡΙΚΟ ΕΡΓΑΛΕΙΟ

Ταχύτητα χωρίς φορτίο	0-2500 min ⁻¹
Ικανότητα (Κανονικό μπουλόνι)	M5 – M12
Ροπή σφίξης (Μέγιστη)	95 N·m
Επαναφορτιζόμενη μπαταρία	BCL1015: Li-ion 10,8 V / Ανώτερο 12 V (1,5 Ah 3 στοιχεία)
Βάρος	1,0 kg

ΦΟΡΤΙΣΤΗΣ

Μοντέλο	UC10SFL
Τάση φόρτισης	10,8 V
Βάρος	0,35 kg

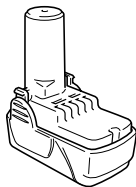
ΚΑΝΟΝΙΚΑ ΕΞΑΡΤΗΜΑΤΑ

WH10DFL (2LCSK)	① Συν οδηγός λεπίδας (Αρ. 2 × 50L) .. 1
	② Μπαταρία (BCL1015) 2
	③ Φορτιστή (UC10SFL) 1
	④ Πλαστική θήκη 1
	⑤ Κάλυμμα μπαταρίας 1

Τα κανονικά εξαρτήματα υπόκεινται σε αλλαγή χωρίς προειδοποίηση.

**ΠΡΟΑΙΡΕΤΙΚΑ ΕΞΑΡΤΗΜΑΤΑ
(πωλούνται ξεχωριστά)**

- Μπαταρία (BCL1015)



Τα προαιρετικά εξαρτήματα υπόκεινται σε αλλαγή χωρίς προειδοποίηση.

ΕΦΑΡΜΟΓΕΣ

- Βίδωμα και αφαίρεση μηχανικών βιδών, Ξυλόβιδων, προσαρμοζόμενες βίδες κλπ.

ΑΦΑΙΡΕΣΗ ΚΑΙ ΤΟΠΟΘΕΤΗΣΗ ΜΠΑΤΑΡΙΑΣ**1. Αφαίρεση μπαταρίας**

Κρατήστε την μπαταρία σφιχτά και σπρώξτε το μάνταλο της μπαταρίας για να αφαιρέσετε την μπαταρία (δείτε **Εικ. 1** και **2**).

ΠΡΟΣΟΧΗ:

Ποτέ μην βραχυκυκλώσετε τη μπαταρία.

2. Τοποθέτηση μπαταρίας

Βάλτε την μπαταρία λαμβάνοντας υπόψη την πολικότητά της (δείτε **Εικ. 2**).

ΦΟΡΤΙΣΗ

Πριν χρησιμοποιήσετε το ηλεκτρικό εργαλείο, φορτίστε τη μπαταρία ως ακολούθως.

1. Συνδέστε το καλώδιο του φορτιστή στην πρίζα**2. Τοποθετήστε την μπαταρία στο φορτιστή**

Τοποθετήστε την μπαταρία με τέτοιο τρόπο ώστε η πινακίδα της να είναι στραμμένη προς την πινακίδα του φορτιστή και ωθήστε την μπαταρία προς τα μέσα μέχρι να έλθει σε επαφή με την κάτω βάση (βλ. **Εικ. 3**).

Η τοποθέτηση της μπαταρίας θα ενεργοποιήσει το φορτιστή (η ενδεικτική λυχνία θα ανάψει).

ΠΡΟΣΟΧΗ

Αν η ενδεικτική λυχνία δεν ανάψει, βγάλτε το καλώδιο από την πρίζα και ελέγξτε την κατάσταση της βόσης της μπαταρίας.

Η ενδεικτική λυχνία σβήνει για να δηλώσει ότι η μπαταρία είναι πλήρως φορτισμένη.

ΠΡΟΣΟΧΗ

Αν η μπαταρία είναι θερμή λόγω απευθείας έκθεσης στο ηλιακό φως, κλπ., αμέσως μετά τη λειτουργία, η ενδεικτική λυχνία του φορτιστή μπορεί να μην ανάψει. Σε αυτήν την περίπτωση, αφήστε να κρυώσει η μπαταρία πρώτα και μετά ξεκινήστε τη φόρτιση.

- Σχετικά με το χρόνο φόρτισης

Ο **Πίνακας 1** δείχνει τον απαιτούμενο χρόνο φόρτισης σύμφωνα με τον τύπο της μπαταρίας.

Πίνακας 1 Χρόνος φόρτισης (κατά προσέγγιση λεπτά) στους 20°C

Τάση μπαταρίας (V)	Χωρητικότητα μπαταρίας (Ah)	
	1,5 Ah	
10,8 V	BCL1015	40 min.

ΣΗΜΕΙΩΣΗ: Ο χρόνος φόρτισης ενδέχεται να διαφέρει ανάλογα με τη θερμοκρασία του περιβάλλοντος.

3. Αποσυνδέστε το ηλεκτρικό καλώδιο του φορτιστή από την πηγή εναλλασσόμενου ρεύματος AC**4. Κρατήστε το φορτιστή σταθερά και τραβήξτε τη μπαταρία****ΣΗΜΕΙΩΣΗ**

Σιγουρευτείτε να τραβήξετε έξω την μπαταρία από τον φορτιστή μετά την χρήση και μετά φυλάξτε την.

Πώς να κάνετε τις μπαταρίες να αποδίδουν περισσότερο χρόνο

- (1) Επαναφορτίστε τις μπαταρίες πριν αδειάσουν τελείως.

Όταν αισθανθείτε ότι η ισχύς του εργαλείου γίνεται ασθενέστερη, σταματήστε τη χρήση του εργαλείου και επαναφορτίστε τις μπαταρίες.

Αν συνεχίσετε να χρησιμοποιείτε το εργαλείο και αδειάσει το ηλεκτρικό ρεύμα, η μπαταρία μπορεί να πάθει ζημιά και η ζωής της θα γίνει μικρότερη.

- (2) Αποφύγετε την επαναφόρτιση σε υψηλές θερμοκρασίες.

Μια επαναφορτιζόμενη μπαταρία θα είναι ζεστή αμέσως μετά τη χρήση. Αν μια τέτοια μπαταρία επαναφορτιστεί αμέσως μετά τη χρήση, το εσωτερικό της χημικό στοιχείο θα φθαρεί και η ζωή της μπαταρίας θα γίνει μικρότερη. Αφήστε τη μπαταρία και επαναφορτίστε την μετά από του κρυώσει για λίγο.

ΠΡΟΣΟΧΗ:

- Όταν ο φορτιστής της μπαταρίας χρησιμοποιείται συνέχεια, τότε θερμαίνεται ο φορτιστής, με αποτέλεσμα την πρόκληση βλαβών. Μόλις ολοκληρωθεί η φόρτιση της μπαταρίας, αφήστε να περάσουν 15 λεπτά μέχρι την επόμενη φόρτιση.
- Αν ο φορτιστής της μπαταρίας δεν λειτουργεί, ενώ η μπαταρία είναι σωστά τοποθετημένη, αυτό είναι κατά πάσα πιθανότητα ένδειξη ελαττωματικής

λειτουργίας της μπαταρίας ή του φορτιστή. Στην περίπτωση αυτή απευθυνθείτε και μεταφέρετε τα εξαρτήματα στο εξουσιοδοτημένο Κέντρο Σέρβις.

ΠΡΙΝ ΤΗ ΛΕΙΤΟΥΡΓΙΑ

1. Καθορισμός και έλεγχος του περιβάλλοντος εργασίας

Ελέγξτε αν το περιβάλλον εργασίας είναι κατάλληλο ακολουθώντας τα παραπάνω μέτρα προφύλαξης.

ΠΩΣ ΝΑ ΤΟ ΧΡΗΣΙΜΟΠΟΙΗΣΕΤΕ

1. Εγκατάσταση της λεπίδας

Πάντοτε να ακολουθείτε την παρακάτω διαδικασία για να εγκαταστήσετε τη λεπίδα κίνησης. (Εικ. 4)

- (1) Τραβήξτε το δακτύλιο (περίβλημα) - οδηγό προς τα εμπρός.
- (2) Εισάγετε τη λεπίδα τρυπανιού μέσα στην εξαγωνική οπή της υποδοχής.
- (3) Ελευθερώστε τον οδηγητικό βραχίονα και αυτός επιστρέφει στην αρχική του θέση.

ΠΡΟΣΟΧΗ:

Αν ο οδηγητικός βραχίονας δεν επιστρέφει στην αρχική του θέση, τότε η λεπίδα δεν έχει εγκατασταθεί κατάλληλα.

2. Αφαίρεση λεπίδας τρυπανιού

Ακολουθείστε την αντίστροφη διαδικασία της μεθόδου τοποθέτησης της λεπίδας τρυπανιού.

3. Επιθεβαιώστε ότι η μπαταρία έχει στερεωθεί σωστά

4. Ελέγξτε την διεύθυνση περιστροφής

Η λεπίδα περιστρέφεται προς τα δεξιά (καθώς βλέπετε από τη πίσω πλευρά) σπρώχνοντας την R-πλευρά του κουμπιού επιλογής. Η L-πλευρά του κουμπιού του επιλογέα σπρώχνεται για να στρέψει τη λεπίδα προς τα αριστερά (δείτε Εικ. 5) (Το (L) και το (R) σημάδια βρίσκονται πάνω στη συσκευή).

5. Λειτουργία διακόπτη

- Όταν η σκανδάλη τραβηχτεί, το εργαλείο περιστρέφεται. Όταν η σκανδάλη ελευθερώνεται το εργαλείο σταματά.
- Η ταχύτητα περιστροφής της λεπίδας μπορεί να ελεγχθεί μεταβάλλοντας την απόσταση κατά την οποία τραβιέται η σκανδάλη διακόπτης. Η ταχύτητα είναι χαμηλή όταν η σκανδάλη διακόπτης τραβιέται ελαφρά και αυξάνεται καθώς η σκανδάλη διακόπτης τραβιέται περισσότερο.

ΣΗΜΕΙΩΣΗ

- Ένας ήχος μπιπ μπορεί να παραχθεί όταν το μοτέρ πρόκειται να περιστραφεί. Αυτό είναι μόνο ένας ήχος, όχι μηχανική βλάβη.

6. Χρήση λυχνίας

Τραβάτε το διακόπτη σκανδάλης για να ανάψετε το φως. Το φως παραμένει αναμμένο, ενώ τραβάτε το διακόπτη σκανδάλης. Το φως σβήνει μετά την απελευθέρωση του διακόπτη σκανδάλης. (Εικ. 6)

ΠΡΟΣΟΧΗ:

Μην κοιτάτε κατευθείαν στο φως της λυχνίας. Αυτό μπορεί να προκαλέσει τραυματισμό στα μάτια.

7. Εξήλιξη και ξεσφίξιμο θιδών

Τοποθετήστε τη λεπίδα που ταιριάζει με τη βίδα, ευθυγραμμίστε τη λεπίδα στις εσοχές της κεφαλής της βίδας, μετά σφίξτε την. Σπρώξτε το κρουστικό κατσαβίδι τόσο λίγο όσο χρειάζεται για να κρατήσετε τη λεπίδα να εφαρμόζει στην κεφαλή της βίδας.

ΠΡΟΣΟΧΗ

Η χρησιμοποίηση του κρουστικού κατσαβιδιού για μεγάλο χρονικό διάστημα σφίγγει την βίδα υπερβολικά και μπορεί να τη σπάσει.

Το σφίξιμο της βίδας με το κρουστικό κατσαβίδι σε γωνία προς τη βίδα μπορεί να προκαλέσει ζημιά στη κεφαλή της βίδας και η κατάλληλη δύναμη να μην μπορεί να μεταδοθεί πάνω στη βίδα.

Σφίξτε με αυτό το κρουστικό κατσαβίδι ευθυγραμμισμένο με τη βίδα.

ΣΗΜΕΙΑ ΠΡΟΣΟΧΗΣ ΚΑΤΑ ΤΗ ΛΕΙΤΟΥΡΓΙΑ

1. Ανάπαυση της συσκευής μετά από συνεχή εργασία

Μετά από συνεχόμενη εργασία σφίξιματος μπουλονιών, σταματήστε την συσκευή για περίπου 15 λεπτά όταν αντικαθιστάτε την μπαταρία. Η θερμοκρασία του μοτέρ, διακόπτη κλπ. θα αυξηθεί όταν η εργασία αρχίσει ξανά αμέσως μετά την αντικατάσταση της μπαταρίας, με τελικό αποτέλεσμα τη διακοπή λειτουργίας λόγω υπερβολικής θερμότητας.

ΣΗΜΕΙΩΣΗ

Μην αγγίζετε τα μεταλλικά μέρη επειδή θερμαίνονται πολύ λόγω της συνεχίζουσας εργασίας.

2. Προσοχή στη χρήση του διακόπτη ελέγχου ταχύτητας

Αυτός ο διακόπτης έχει ένα ενσωματωμένο ηλεκτρονικό κύκλωμα που μεταβάλλει συνεχώς την περιστροφική ταχύτητα. Κατά συνέπεια, όταν η σκανδάλη διακόπτης τραβιέται μόνο ελαφρά (περιστροφή χαμηλής ταχύτητας) και το μοτέρ σταματήσει καθώς συνεχώς βιδώνει βίδες, τα εξαρτήματα του ηλεκτρονικού κυκλώματος μπορεί να υπερθερμανθούν και να πάθουν ζημιά.

3. Χρησιμοποιήστε ένα χρόνο σφίξης κατάλληλο για τη βίδα

Η κατάλληλη ροπή για τη βίδα διαφέρει ανάλογα με το υλικό και το μέγεθος της βίδας, και το υλικό στο οποίο βιδώνεται κλπ., για αυτό παρακαλώ χρησιμοποιήστε ένα χρόνο βιδώματος κατάλληλο για τη βίδα. Ιδιαίτερα, αν χρησιμοποιηθεί ένας μακρύς χρόνος σφίξης στην περίπτωση βιδών μικρότερες από M8, υπάρχει κίνδυνος να σπάσει η βίδα, για αυτό παρακαλώ επιθεβαιώστε τον χρόνο σφίξης και την ροπή σφίξης από πριν.

4. Εργασία με μια ροπή σφίξης κατάλληλη για το μπουλόνι που υπόκεινται την κρούση

Η βέλτιστη ροπή κρούσης για τα παξιμάδια ή τα μπουλόνια διαφέρει ανάλογα με το υλικό και το μέγεθος των παξιμαδιών ή των μπουλονιών. Μια υπερβολικά μεγάλη ροπή σφίξης για ένα μικρό μπουλόνι μπορεί να εκτείνει ή να σπάσει το μπουλόνι. Η ροπή σφίξης αυξάνει αναλογικά του χρόνου λειτουργίας. Χρησιμοποιήστε τον κατάλληλο χρόνο λειτουργίας για το μπουλόνι.

5. Επιθεβαιώστε την ροπή σφίξης

Οι παρακάτω παράγοντες συνεισφέρουν στην ελάττωση της ροπής σφίξης. Γι' αυτό επιθεβαιώστε την πραγματική ροπή σφίξης που χρειάζεται βιδώνοντας μερικά μπουλόνια πριν την εργασία με ένα κλειδί ροπής χειρός. Οι παράγοντες που επηρεάζουν την ροπή σφίξης είναι οι παρακάτω.

(1) Τάση

Όταν επιτευχθεί το επίπεδο εκφόρτισης, η τάση ελαττώνεται και η ροπή σφίξης χαμηλώνει.

- (2) Χρόνος λειτουργίας
Η ροπή σφίξης αυξάνεται όταν ο χρόνος λειτουργίας αυξάνει. Αλλά η ροπή σφίξης δεν αυξάνει πάνω από μια ορισμένη τιμή ακόμα και αν το εργαλείο χρησιμοποιείται για μακρό χρονικό διάστημα.
- (3) Διάμετρος του μπουλονιού
Η ροπή σφίξης διαφέρει ανάλογα με τη διάμετρο του μπουλονιού. Γενικά, μπουλόνι με μεγαλύτερη διάμετρο απαιτεί μεγαλύτερη ροπή σφίξης.
- (4) Συνθήκες σφίξης
Η ροπή σφίξης διαφέρει σύμφωνα με λόγο της ροπής, είδος και μήκος των μπουλονιών ακόμα και αν χρησιμοποιούνται μπουλόνια με το ίδιο μέγεθος σπειρώματος. Η ροπή σφίξης επίσης διαφέρει σύμφωνα με την συνθήκη της επιφάνειας του αντικειμένου εργασίας μέσω του οποίου τα μπουλόνια πρόκειται να σφίχτούν. Όταν το μπουλόνι και το παξιμάδι περιστρέφονται μαζί, η ροπή ελαττώνεται κατά πολύ.

ΣΥΝΤΗΡΗΣΗ ΚΑΙ ΕΛΕΓΧΟΣ

- Έλεγχος εργαλείου**
Επειδή η χρήση ενός αββύλ εργαλείου θα χαμηλώσει την αποδοτικότητα και θα προκαλέσει την πιθανή δυσλειτουργία του μοτέρ, ακονίστε ή αντικαταστήστε το εργαλείο μόλις παρατηρηθεί φθορά.
- Έλεγχος των βιδών στερέωσης**
Τακτικά ελέγξτε όλες τις βίδες στερέωσης και σιγουρευτείτε ότι είναι κατάλληλα σφικιμένες. Σε περίπτωση που κάποιες από τις βίδες χαλαρώσουν, ξανασφίξτε τις αμέσως. Αν δεν το κάνετε αυτό μπορεί να προκληθεί σοβαρός κίνδυνος.
- Συντήρηση του μοτέρ**
Η περιέλιξη στη μονάδα του μοτέρ είναι η "καρδιά" του ηλεκτρικού εργαλείου. Δώστε μεγάλη προσοχή για να διασφαλίσετε ότι η περιέλιξη δεν θα πάθει ζημιά και / ή θα βραχεί με λάδι ή νερό.
- Καθαρισμός του εξωτερικού**
Όταν το δραπανοκατάβιδο λερωθεί, σκουπίστε με ένα μαλακό και στεγνό ύφασμα ή με ένα ύφασμα υγραμένο με σαπουνόνερο. Μην χρησιμοποιήσετε διαλυτικά που περιέχουν χλώριο, βενζίνη, ή διαλυτικά μπιογιάς, επειδή λειώνουν τα πλαστικά.
- Αποθήκευση**
Αποθηκεύστε το δραπανοκατάβιδο σε ένα χώρο όπου η θερμοκρασία είναι μικρότερη από 40°C και μακριά από την πρόσβαση των παιδιών.
- Λίστα συντήρησης των μερών**

ΠΡΟΣΟΧΗ:

Η επισκευή, η τροποποίηση και ο έλεγχος των Ηλεκτρικών Εργαλείων Hitachi πρέπει να γίνεται από ένα Εξουσιοδοτημένο κέντρο σέρβις της Hitachi.
Αυτή η Λίστα των Μερών θα είναι χρήσιμη αν παρουσιαστεί μαζί με το εργαλείο στο εξουσιοδοτημένο Κέντρο Σέρβις της Hitachi όταν ζητάτε επισκευή ή κάποια άλλη συντήρηση.
Κατά τον έλεγχο και τη συντήρηση των ηλεκτρικών εργαλείων, οι κανόνες ασφαλείας και οι κανονισμοί που υπάρχουν σε κάθε χώρα πρέπει να ακολουθούνται.

ΤΡΟΠΟΠΟΙΗΣΗ:

Τα Ηλεκτρικά Εργαλεία Hitachi βελτιώνονται συνεχώς και τροποποιούνται για να συμπεριλάβουν τις τελευταίες τεχνολογικές προόδους.
Κατά συνέπεια, ορισμένα τμήματα μπορούν να αλλάξουν χωρίς προηγούμενη ειδοποίηση.

ΕΓΓΥΗΣΗ

Εγγυώμαστε τα εργαλεία Hitachi Power Tools σύμφωνα με τη νομοθεσία και τους κανονισμούς ανά χώρα. Η παρούσα εγγύηση δεν καλύπτει ελαττώματα ή ζημιές λόγω κακής χρήσης, κακοποίησης ή φυσιολογικής φθοράς. Σε περίπτωση παραπόνων παρακαλούμε αποστείλετε το Power Tool χωρίς να το αποσυναρμολογήσετε μαζί με το ΠΙΣΤΟΠΟΙΗΤΙΚΟ ΕΓΓΥΗΣΗΣ το οποίο βρίσκεται στο τέλος των οδηγιών αυτών, σε Εξουσιοδοτημένο Κέντρο Επισκευής της Hitachi.

ΣΗΜΕΙΩΣΗ:

Εξαιτίας του συνεχιζόμενου προγράμματος έρευνας και ανάπτυξης της HITACHI τα τεχνικά χαρακτηριστικά που εδώ αναφέρονται μπορούν να αλλάξουν χωρίς προηγούμενη ειδοποίηση.

Πληροφορίες που αφορούν τον εκπεμπόμενο θόρυβο και τη δόνηση

Οι τιμές μετρήθηκαν σύμφωνα με το EN60745 και βρέθηκαν σύμφωνες με το ISO 4871.

Μετρηθείσα τυπική στάθμη ηχητικής ισχύος A: 103 dB (A)
Μετρηθείσα τυπική στάθμη ηχητικής πίεσης A: 92 dB (A)
Αβεβαιότητα KpA: 3 dB (A)

Φοράτε προστατευτικά αυτιών.

Συνολικές τιμές δόνησης (διανυσματικό άθροισμα τριαξονικού κλωδίου) που καθορίζονται σύμφωνα με το πρότυπο EN60745.

Κρουστική σύσφιξη συνδέσμων με μέγιστη ικανότητα εργαλείου:

Τιμή εκπομπής δόνησης $a_h = 18,1 \text{ m/s}^2$
Αβεβαιότητα K = 1,5 m/s^2

ΠΡΟΣΟΧΗ

- Η τιμή εκπομπής δόνησης κατά την ουσιαστική χρήση του ηλεκτρικού εργαλείου μπορεί να διαφέρει από τη δηλωμένη τιμή, ανάλογα με το που και πως χρησιμοποιείται το εργαλείο.
- Για να αναγνωρίσετε τα μέτρα ασφαλείας για την προστασία του χειριστή που βασίζονται σε μία εκτίμηση της έκθεσης στις πραγματικές συνθήκες χρήσης (λαμβάνοντας υπόψη όλα τα μέρη του κύκλου λειτουργίας όπως τα διαστήματα που το εργαλείο είναι απενεργοποιημένο και όταν λειτουργεί στο ρελαντί μαζί με το χρόνο διέγερσης).

OGÓLNE WSKAZÓWKI BEZPIECZEŃSTWA DOTYCZĄCE URZĄDZEŃ ELEKTRYCZNYCH

⚠ OSTRZEŻENIE

Należy dokładnie zapoznać się ze wszystkimi ostrzeżeniami i wskazówkami bezpieczeństwa.

Nieprzestrzeganie ostrzeżeń oraz wskazówek bezpieczeństwa może spowodować porażenie prądem elektrycznym, pożar i/lub odniesienie poważnych obrażeń.

Ostrzeżenia i wskazówki bezpieczeństwa powinny być przechowywane do użycia w przyszłości.

Wykorzystywane w treści wskazówek wyrażenie "narzędzie elektryczne" dotyczy narzędzi zasilanych z sieci (przewodowych) lub z baterii (beprzewodowych).

1) Bezpieczeństwo stanowiska pracy

a) **Miejsce pracy powinno być czyste i dobrze oświetlone.**

Brak porządku lub nieodpowiednie oświetlenie miejsca pracy może być przyczyną wypadku.

b) **Nie należy używać narzędzi elektrycznych w miejscach zagrożonych wybuchem, na przykład w pobliżu łatwopalnych cieczy, gazów lub pyłów.**
Pracujące narzędzie elektryczne wytwarza iskry grożące wybuchem.

c) **Dzieci oraz osoby postronne powinny pozostawać w bezpiecznej odległości od pracującego urządzenia.**

Dekonzcentracja może spowodować utratę kontroli nad urządzeniem.

2) Bezpieczeństwo elektryczne

a) **Wtyczka narzędzia musi pasować do gniazda zasilania.**

Nie wolno przerabiać wtyczki.

Narzędzia posiadające uziemienie nie powinny być używane z wtyczkami przejściowymi.

Przestrzeganie powyższych zaleceń dotyczących wtyczek i gniazdek pozwoli zmniejszyć ryzyko porażenia prądem elektrycznym.

b) **Należy unikać dotykania jakichkolwiek powierzchni i elementów uziemionych, takich jak rury, grzejniki, kuchenki lub urządzenia chłodnicze.**

Ryzyko porażenia prądem elektrycznym jest wyższe, gdy ciało jest uziemione.

c) **Nie należy narażać narzędzi elektrycznych na działanie deszczu lub wilgoci.**

Obecność wody zwiększa niebezpieczeństwo porażenia prądem elektrycznym.

d) **Nie należy używać przewodu zasilającego w sposób niezgodny z przeznaczeniem. Nie wolno używać przewodu do przenoszenia lub ciągnięcia urządzenia bądź wyłączenia go z prądu.**

Przewód powinien znajdować się w bezpiecznej odległości od źródeł ciepła, oleju, ostrych krawędzi lub poruszających się części.

Uszkodzenie lub zapętlenie przewodu zwiększa ryzyko porażenia prądem elektrycznym.

e) **W przypadku używania narzędzia elektrycznego na wolnym powietrzu należy korzystać z przedłużaczy przeznaczonych do takiego zastosowania.**

Używanie odpowiednich przedłużaczy zmniejsza ryzyko porażenia prądem elektrycznym.

f) **W przypadku korzystania z narzędzia w miejscu o dużej wilgotności należy zawsze używać wyłącznika różnicowoprądowego.**

Korzystanie z takiego wyłącznika zmniejsza ryzyko porażenia prądem elektrycznym.

3) Bezpieczeństwo osobiste

a) **Podczas korzystania z narzędzia elektrycznego należy zawsze koncentrować się na wykonywanej pracy i postępować zgodnie z zasadami zdrowego rozsądku.**

Narzędzia elektryczne nie powinny być obsługiwane przez osoby zmęczone lub znajdujące się pod wpływem substancji odurzających, alkoholu bądź leków.

Chwila nieuwagi podczas obsługi narzędzia elektrycznego może spowodować odniesienie poważnych obrażeń.

b) **Zawsze używać odpowiedniego osobistego wyposażenia ochronnego. Zawsze nosić odpowiednie okulary ochronne.**

Stosowane w odpowiednich warunkach wyposażenie zabezpieczające, takie jak maska przeciwpyłowa, obuwie antypoślizgowe, kask lub nauszники zmniejsza ryzyko odniesienia obrażeń ciała.

c) **Uniemożliwić nieoczekiwane uruchomienie narzędzia. Przed podłączeniem narzędzia do gniazda zasilania i/lub zestawu baterii, a także przed podniesieniem lub przeniesieniem go, należy upewnić się, że wyłącznik znajduje się w położeniu wyłączenia.**

Ze względów bezpieczeństwa nie należy przenosić narzędzi elektrycznych, trzymając palec na wyłączniku, ani podłączać do zasilania urządzeń, których wyłącznik znajduje się w położeniu włączenia.

d) **Przed wyłączeniem usunąć wszystkie klucze regulacyjne.**

Pozostawienie klucza regulacyjnego połączonego z częścią obrotową narzędzia może spowodować odniesienie obrażeń.

e) **Nie sięgać zbyt daleko. Należy zawsze stać stabilnie, zachowując równowagę.**

Zapewnia to lepsze panowanie nad narzędziem w nieoczekiwanych sytuacjach.

f) **Należy nosić odpowiednią odzież roboczą. Nie nosić luźnych ubrań lub biżuterii. Trzymać włosy, odzież i rękawice w bezpiecznej odległości od ruchomych części urządzenia.**

Luźne ubrania, biżuteria lub długie włosy mogą zostać wciągnięte przez ruchome części narzędzia.

g) **Jeżeli wraz z narzędziem dostarczone zostało wyposażenie służące do odprowadzania pyłów, należy pamiętać o jego właściwym podłączeniu i używaniu.**

Właściwe zbieranie i odprowadzanie pyłu zmniejsza zagrożenia związane z jego obecnością.

4) Obsługa i konserwacja narzędzi elektrycznych

a) **Nie używać narzędzia elektrycznego ze zbyt dużą siłą. Należy stosować narzędzie odpowiednie dla wykonywanej pracy.**

Narzędzie przeznaczone do określonej pracy wykona ją lepiej i w sposób bardziej bezpieczny, pracując z zalecaną prędkością.

b) **Nie należy używać narzędzia, którego wyłącznik jest uszkodzony.**

Każde urządzenie, które nie może być właściwie włączane i wyłączane, stanowi zagrożenie i musi zostać naprawione.

- c) **Należy zawsze odłączyć urządzenie z sieci zasilania i/lub baterii przed przystąpieniem do jakichkolwiek modyfikacji, wymiany akcesoriów itp. oraz kiedy urządzenie nie będzie używane przez dłuższy czas.**
Powyższe środki mają na celu wyeliminowanie ryzyka nieoczekiwanego uruchomienia urządzenia.
- d) **Nie używane narzędzia elektryczne powinny być przechowywane w miejscu niedostępnym dla dzieci oraz osób, które nie znają zasad ich obsługi lub niniejszych zaleceń.**
Korzystanie z narzędzi elektrycznych przez osoby, które nie zostały przeszkolone, może stanowić zagrożenie.
- e) **Należy dbać o odpowiednią konserwację narzędzi elektrycznych. Przed rozpoczęciem pracy należy sprawdzić, czy ruchome części urządzenia nie są wygięte, uszkodzone lub pęknięte i czy nie występują jakiegokolwiek inne okoliczności, które mogłyby uniemożliwić bezpieczną pracę urządzenia.**
W razie uszkodzenia przed kolejnym użyciem narzędzie musi zostać naprawione.
Wiele wypadków następuje z powodu nieprawidłowej konserwacji narzędzi elektrycznych.
- f) **Narzędzia tnące powinny być zawsze ostre i czyste.**
Narzędzia tnące powinny być utrzymywane w odpowiednim stanie, a ich krawędzie muszą być odpowiednio ostrze - zmniejsza to ryzyko wygięcia i ułatwia obsługę narzędzia.
- g) **Należy zawsze obsługiwać narzędzie, jego akcesoria takie jak wiertła itp. w sposób zgodny z zaleceniami niniejszej instrukcji, biorąc pod uwagę warunki robocze oraz rodzaj wykonywanej pracy.**
Używanie narzędzia do celów niezgodnych z jego przeznaczeniem może spowodować niebezpieczeństwo.
- 5) **Obsługa i konserwacja narzędzia akumulatorowego**
- a) **Ładuj wyłącznie w ładowarkach wymienionych przez producenta.**
Ładowarka przeznaczona do ładowania konkretnego typu zestawów akumulatorowych może spowodować pożar, jeśli zostanie użyta do ładowania innego typu zestawów akumulatorowych.
- b) **Do zasilania elektronarzędzi używaj wyłącznie zatwierdzonych zestawów akumulatorowych.**
Używanie innych zestawów akumulatorowych może spowodować obrażenia ciała lub pożar.
- c) **Jeśli zestaw akumulatorowy nie jest używany, przechowuj go z dala od innych metalowych przedmiotów, takich jak spinacze do papieru, monety, klucze, gwoździe, śruby itp. Przedmioty te mogą przewodzić prąd między elektrodami zestawu akumulatorowego.**
Zwarcie elektrod akumulatora może doprowadzić do poparzeń lub pożaru.
- d) **W skrajnie niesprzyjających warunkach może dojść do wycieku płynu z akumulatora. Unikaj kontaktu z płynem.**
Jeśli dojdzie do przypadkowego kontaktu z płynem, opłucz miejsce kontaktu wodą. W przypadku kontaktu płynu z oczami, zgłoś się do lekarza.

Płyn wyciekający z akumulatora może spowodować podrażnienia lub poparzenia.

6) Serwis

- a) **Narzędzia elektryczne mogą być naprawiane wyłącznie przez uprawnionych techników serwisowych, przy zastosowaniu oryginalnych części zamiennych.**
Zapewnia to utrzymanie bezpieczeństwa obsługi urządzenia.

UWAGA

Dzieci i osoby niepełnosprawne muszą pozostawać w bezpiecznej odległości od narzędzia.

Nie używane narzędzia elektryczne powinny być przechowywane w miejscu niedostępnym dla dzieci i osób niepełnosprawnych.

ŚRODKI OSTROŻNOŚCI STOSOWANE PRZY UŻYCIU BEZPRZEWODOWEJ WKR TARKI UDAROWEJ

- Narzędzie ręczne do wkręcania i wykręcania śrub. Może być wykorzystywane wyłącznie w tym celu.
- Przy dłuższej pracy z urządzeniem należy używać zatykaczy do uszu.
- Utrzymywanie urządzenia podczas pracy tylko jedną ręką jest bardzo niebezpieczne; podczas pracy należy zawsze przytrzymywać je obiema rękami.
- Po założeniu wkrętaka, należy upewnić się, że został odpowiednio zamocowany i nie może się poluzować. Jeżeli wkrętak nie jest odpowiednio zamocowany, może poluzować się podczas pracy, co jest bardzo niebezpieczne.
- Należy zawsze używać wkrętaka odpowiedniego dla danej śruby.
- Należy prowadzić urządzenie prosto - wkręcanie śruby pod kątem może spowodować uszkodzenie łańcucha śruby, gdyż odpowiednia siła nie zostanie jej przekazana. Należy zawsze prowadzić wkrętak bardzo równo wzdłuż osi śruby.
- Zawsze ładuj akumulator w temperaturze od 0 do 40°C. Ładowanie akumulatora w temperaturze poza zakresem 0 - 40°C może spowodować nieprawidłowe naładowanie akumulatora i skrócenie jego żywotności. Najbardziej odpowiednia do ładowania jest temperatura od 20 do 25°C.
- Kiedy jeden cykl ładowania jest skończony, odstaw ładowarkę na około 15 minut przed ponownym cyklem ładowania akumulatora.
 Nie należy ładować akumulatora przez czas dłuższy, niż 2 godziny.
- Nie dopuszczaj, by obce przedmioty mogły dostać się do wnętrza otworu wsuwowego przeznaczonego dla akumulatora.
- Nigdy sam nie rozkładaj akumulatora i ładowarki.
- Nie dopuszczaj do zwarcia w akumulatorze. Zwarcie w akumulatorze spowoduje jego rozładowanie i przegrzanie, oraz może spowodować przepalenie się lub zniszczenie akumulatora.
- Nie wrzucaj akumulatora do ognia gdyż grozi to eksplozją.
- Podczas wiercenia w ścianie, podłodze lub suficie upewnij się, że wewnątrz nie ma ukrytych przewodów elektrycznych ani kabli itp.

14. Przynieś akumulator do sklepu w którym go nabyłeś, jak tylko okres użytkowania akumulatora stanie się zbyt krótki do praktycznego użytku. Nie wyrzucaj wyczerpanego akumulatora do odpadów domowych.
15. Używanie rozładowanego akumulatora uszkodzi ładowarkę.
16. Nie wkładaj przedmiotów w szczeliny wentylacyjne ładowarki. Wkładanie metalowych lub łatwopalnych przedmiotów w szczeliny wentylacyjne ładowarki może spowodować niebezpieczeństwo porażenia prądem lub zniszczenie ładowarki.

UWAGI DOTYCZĄCE AKUMULATORA LI-ION

Aby wydłużyć czas eksploatacji akumulatora li-ion, jest on wyposażony w funkcję wyłączenia. W przypadkach opisanych poniżej w punktach 1-3 silnik może zatrzymać się w czasie użytkowania produktu, nawet jeżeli wyłącznik jest wciśnięty. Nie jest to oznaką awarii, ale efekt działania funkcji wyłączania.

1. Gdy akumulator się wyczerpie, silnik wyłączy się. W takim przypadku należy go niezwłocznie naładować.
2. Silnik wyłączy się w przypadku przeładowania narzędzia. W takim przypadku należy zwolnić przełącznik narzędzia i wyeliminować przyczynę przeładowania. Po wyeliminowaniu szkodliwego czynnika, można ponownie włączyć urządzenie.
3. Jeżeli w warunkach intensywnej pracy akumulator się przegrzewa, może to powodować przerywanie zasilania. W takim wypadku należy zaprzestać używania akumulatora i pozostawić go do ostygnięcia. Po ostygnięciu akumulator nadaje się do dalszego używania.

Dodatkowo należy stosować się do poniższych uwag i ostrzeżeń.

OSTRZEŻENIE

Aby zapobiec wyciekom, przegrzaniu, emisji dymu, wybuchowi lub zapaleniu się akumulatora, należy stosować się do wszystkich wymienionych poniżej środków ostrożności.

1. Należy upewnić się, że drobne wióry i pył nie gromadzą się na akumulatorze.
 - Podczas pracy należy uważać, aby wióry i pył nie osadzały się na akumulatorze.
 - Usuwać wióry i pył, które opadają na akumulator, aby nie gromadziły się na jego powierzchni.
 - Nie przechowywać nieużywanych akumulatorów w pomieszczeniach silnie zapyłonych.
 - Przed przechowywaniem akumulatora, należy usunąć z niego wióry i pył. Nie należy przechowywać akumulatora razem z częściami metalowymi (śruby, gwoździe itp.).
2. Nie przekuwaj akumulatora ostrymi przedmiotami, takimi jak gwoździe, nie uderzaj młotkiem, nie przygniataj, nie rzucaj ani nie poddawaj akumulatora wstrząsom.
3. Nie używaj akumulatora, który nosi wyraźne ślady uszkodzenia lub odkształcenia.
4. Nie umieszczaj akumulatora w urządzeniu w odwrotny sposób.
5. Nie podłączaj akumulatora bezpośrednio do gniazda sieci elektrycznej lub zapalniczki samochodowej.
6. Nie używaj akumulatora do celów innych, niż opisane.
7. Jeśli ładowanie akumulatora nie powiedzie się, nawet po upływie określonego czasu ładowania, natychmiast przerwij ładowanie.

8. Nie poddawaj akumulatora działaniu wysokiej temperatury lub wysokiego ciśnienia, np. poprzez umieszczenie go w kuchence mikrofalowej, suszarce lub pojemniku ciśnieniowym.
9. W przypadku pojawienia się wycieku lub nieprzyjemnego zapachu upewnij się, że akumulator znajduje się z dala od źródła ognia.
10. Nie używaj akumulatora w miejscach, w których występuje silna elektryczność statyczna.
11. Jeśli w trakcie użytkowania, ładowania lub przechowywania akumulatora pojawi się nieprzyjemny zapach, dojdzie do wycieku, nadmiernego nagrzania, odbarwienia lub odkształcenia bądź jeśli pojawi się jakkolwiek inna nieprawidłowość, akumulator należy natychmiast wyjąć z urządzenia lub ładowarki i zaprzestać jego użytkowania.

UWAGA

1. Jeśli płyn wyciekający z akumulatora dostanie się do oczu, nie pocieraj podrażnionego miejsca. Dokładnie przemyj oczy czystą wodą, np. z kranu, i niezwłocznie skontaktuj się z lekarzem. Jeśli płyn nie zostanie usunięty, może spowodować uszkodzenie wzroku.
2. W przypadku kontaktu płynu z akumulatora ze skórą, natychmiast dokładnie przemyj skórę czystą wodą, np. z kranu. Płyn z akumulatora może spowodować podrażnienie skóry.
3. Jeśli w trakcie pierwszego użycia akumulator nadmiernie się nagrzeje, pojawi się nieprzyjemny zapach bądź jeśli wykryte zostaną ślady rdzy, odbarwienia, odkształcenia lub inne nieprawidłowości, należy zaprzestać jego użytkowania i zwrócić go do dostawcy lub sprzedawcy.

OSTRZEŻENIE

W razie kontaktu styków akumulatora litowo-jonowego z przedmiotami przewodzącymi prąd elektryczny może wystąpić zwarcie, które grozi wybuchem pożaru. Należy przestrzegać zamieszczonych poniżej zaleceń dotyczących przechowywania akumulatora.

- **Nie należy przechowywać akumulatora wraz z przedmiotami przewodzącymi prąd elektryczny, takimi jak opiłki metalu, gwoździe, druty stalowe, druty miedziane lub wszelkie inne przewody.**
- **Aby uniknąć zwarcia, akumulator powinien być zamontowany w elektronarzędziu lub zabezpieczony pokrywą, tak aby otwory wentylacyjne były szczelnie zakryte. (Patrz Rys. 1)**

WYMAGANIA TECHNICZNE**ELEKTRONARZĘDZIE**

Prędkość biegu jałowego	0 - 2500 min ⁻¹
Moc (dla zwykłej śruby)	M5-M12
Moment obrotowy (maksymalny)	95 N·m
Akumulator	BCL1015: Li-ion 10,8 V / Maks. 12 V (1,5 Ah 3 ogniwi)
Waga	1,0 kg

ŁADOWARKA

Model	UC10SFL
Napięcie ładowania	10,8 V
Waga	0,35 kg

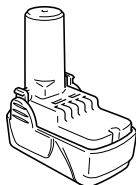
STANDARDOWE WYPOSAŻENIE I PRZYSTAWKI

WH10DFL (2LCSK)	① Plus wkrętak (Nr. 2 × 50L)	1
	② Akumulator (BCL1015)	2
	③ Ładowarka (UC10SFL)	1
	④ Plastikowe pudełko	1
	⑤ Pokrywa komory akumulatora	1

Standardowe akcesoria podlegają zmianom bez uprzedzenia

DODATKOWE WYPOSAŻENIE (Do nabycia oddzielnie)

1. Akumulator (BCL1015)



Wyposażenie dodatkowe może ulec zmianie bez uprzedzenia.

ZASTOSOWANIE

- Wkręcanie i zwalnianie śrub do metalu, drewna i śrub samogwintujących.

WYMONTOWANIE I MONTAŻ AKUMULATORA**1. Wymontowanie akumulatora**

Trzymając mocno za rączkę popchnij zatrzask akumulatora by zdjąć akumulator (patrz **Rys. 1** i **2**).

UWAGA

Nigdy nie dopuszczaj do zwarcia w akumulatorze.

2. MONTAŻ AKUMULATORA

Wprowadź akumulator zwracając uwagę na właściwą biegunowość (patrz **Rys. 2**).

ŁADOWANIE

Przed przystąpieniem do użytkowania urządzenia należy naładować akumulator w sposób opisany poniżej.

1. Podłączyć przewód ładowarki do gniazdka

2. Włożyć akumulator do ładowarki

Należy włożyć akumulator w taki sposób, aby jego tabliczka znamionowa była skierowana w stronę tabliczki znamionowej ładowarki i docisnąć akumulator tak, aby dotykał płytki dolnej (patrz **Rys. 3**).

Po włożeniu akumulatora ładowarka włączy się automatycznie (lampka kontrolna zaświeci się).

UWAGA

Jeżeli lampka kontrolna nie zapali się, wyjmij wtyczkę z gniazdka i sprawdź umocowanie akumulatora.

Gdy lampka kontrolna zgaśnie, akumulator jest całkowicie naładowany.

UWAGA

Jeśli akumulator rozgrzał się pod wpływem światła słonecznego itp. lub był dopiero używany, lampka kontrolna ładowarki może się nie zapalić. W takim przypadku najpierw schłódź akumulator a potem zacznij go ładować.

- Odnosnie okresu ładowania

Tabela 1 pokazuje wymagany czas ładowania w zależności od rodzaju akumulatora.

Tabela 1 Czas ładowania (przybliżony, w min.) przy 20°C

Napięcie ogniwa (V)	Pojemność ogniwa (Ah)	
	1,5 Ah	
10,8 V	BCL1015	40 min

WSKAZÓWKA: Czas ładowania zależy od temperatury otoczenia.

3. Wyłącz wtyczkę przewodu ładowarki z gniazdka**4. Mocno trzymając ładowarkę wyjmij akumulator z otworu wsuwowego****WSKAZÓWKA**

Należy pamiętać, że akumulator powinien zostać wyjęty z ładowarki zaraz po naładowaniu.

Jak przedłużyć żywotność akumulatora.

- (1) Ładuj akumulatory zanim zostaną całkowicie wyczerpane. Kiedy zorientujesz się że moc akumulatora zmniejszyła się, przestań używać narzędzie i naładuj akumulator. Jeśli będziesz dalej używał narzędzia i prąd się wyczerpie, akumulator może zostać uszkodzony i skrócić się jego żywotność.
- (2) Unikaj ładowania przy wysokich temperaturach. Akumulator bezpośrednio po używaniu narzędzia jest gorący. Jeśli akumulator jest ładowany od razu po użyciu, pogarsza się jakość elektrolitu i skraca żywotność akumulatora. Odstaw akumulator i naładuj go dopiero gdy ostygnie.

UWAGA:

- Intensywne użytkowanie ładowarki prowadzi do jej nagrzewania, co może być przyczyną awarii. Po zakończeniu ładowania odczekaj 15 minut przed kolejnym ładowaniem.
- Jeżeli ładowarka nie działa z poprawnie założonym akumulatorem, może to wskazywać na awarię akumulatora lub ładowarki. Skontaktuj się z autoryzowanym centrum obsługi.

PRZED ROZPOCZĘCIEM PRACY

1. Przygotowanie i sprawdzenie stanowiska pracy

Upewnij się, że stanowisko pracy pozwoli na zastosowanie powyższych środków ostrożności.

JAK UŻYWAĆ

1. Zakładanie wkrętaka

W celu założenia wkrętaka należy wykonać następujące czynności: (**Rys. 4**)

- (1) Przesunąć tuleję przewodnicy do przodu.
- (2) Włożyć wkrętak do sześciokątnego otworu w gnieździe.
- (3) Zwolnić tuleję przewodnicy, aby powróciła do pierwotnego położenia.

UWAGA

Jeżeli tuleja przewodnicy nie powraca do pierwotnego położenia, oznacza to, że wkrętak nie jest założony prawidłowo.

2. Wymywanie wkrętaka

Wykonaj w odwrotnej kolejności czynności opisane w części poświęconej zakładaniu wkrętaka.

3. Upewnij się, że akumulator jest poprawnie włożony

4. Sprawdzanie kierunku obrotów

Wiertło obraca się w kierunku zgodnym z ruchem wskazówek zegara (jeśli patrzysz z tyłu) gdy wciśniesz prawą stronę (R) przełącznika kierunku obrotów. Aby wiertło obracało się w kierunku przeciwnym do ruchu wskazówek zegara wciśnij lewą (L) przełącznika kierunku obrotów (Patrz **Rys. 5**) (Oznaczenia (R) i (L) znajdują się na kadłubie narzędzia).

5. Działanie spustu

- Przcisnięcie spustu powoduje obroty narzędzia. Kiedy przycisk jest zwolniony, narzędzie się zatrzymuje.
- Prędkość obrotowa wiertarki zależy od stopnia przyciśnięcia przycisku spustu. Prędkość obrotowa jest mała kiedy przycisk spustu jest lekko przyciśnięty a zwiększa się go przyciska się go silniej.

WSKAZÓWKA

- Gdy silnik zaczyna się obracać słychać odgłos bzyczenia; jest to tylko dźwięk, nie uszkodzenie urządzenia.

6. Korzystanie z oświetlenia

Wcisnąć przycisk spustowy, aby zaświecić lampkę. Pozostaje ona zaświecona przez cały czas, kiedy przycisk spustowy jest naciskany. Lampka gaśnie po zwolnieniu przycisku spustowego (**Rys. 6**).

UWAGA:

Nie patrz bezpośrednio na źródło światła. Może to spowodować uszkodzenie wzroku.

7. Wkręcanie i wykręcanie śrub

Należy założyć wkrętak odpowiadający danej śrubie, wyrównać położenie rowka w stosunku do łba śruby i rozpocząć wkręcanie.

Należy dociskać wkrętak tak, aby zapewnić prawidłowe dokręcenie łba śruby.

UWAGA

Dociskanie wkrętaka zbyt długo może spowodować nadmierne dokręcenie śruby i jej złamanie.

Należy prowadzić urządzenie prosto – wkręcanie śruby pod kątem może spowodować uszkodzenie łba śruby, gdyż odpowiednia siła nie zostanie jej przekazana. Należy zawsze prowadzić wkrętak bardzo równo wzdłuż osi śruby.

ŚRODKI OSTROŻNOŚCI PODCZAS PRACY Z URZĄDZENIEM

1. Przerwy w pracy urządzenia

Po każdym dłuższym użyciu urządzenia należy odczekać przez około 15 minut przed podjęciem dalszej pracy. Tak samo należy postąpić po wymianie akumulatora. Temperatura silnika, przełącznika itp. będzie zbyt wysoka w przypadku, kiedy praca zostanie rozpoczęta natychmiast po wymianie baterii – może to spowodować przegrzanie urządzenia.

UWAGA

Nie należy dotykać elementów metalowych, ponieważ w czasie ciągłej pracy mogą się nagrzewać.

2. Środki ostrożności związane z obsługą przełącznika prędkości

Przełącznik posiada wbudowany obwód elektroniczny, umożliwiający płynną regulację prędkości obrotów. W związku z powyższym, kiedy przełącznik jest lekko wciśnięty (mała prędkość obrotowa), a silnik zostaje zatrzymany przy ciągłym wkręcaniu śrub, elementy obwodu elektronicznego mogą ulec przegrzaniu i uszkodzeniu.

3. Należy zawsze dostosować czas dokręcania do rodzaju śruby

Odpowiedni moment obrotowy dokręcania jest uzależniony od materiału i rozmiaru śruby, materiału, w jaki jest ona wkręcana itd., dlatego też należy zawsze odpowiednio dopasować czas wkręcania śruby. W szczególności, jeżeli dla śrub mniejszych od M8 używany jest dłuższy czas dokręcania, istnieje ryzyko złamania śruby – przed przystąpieniem do pracy należy zawsze sprawdzić właściwy czas i siłę dokręcania.

4. Dostosowanie momentu obrotowego i siły dokręcania do rozmiaru śruby

Optymalny moment obrotowy dokręcania śrub lub nakrętek zależy od materiału i wymiaru śrub lub nakrętek. Zbyt duży moment obrotowy dokręcania małej śruby może spowodować jej uszkodzenie lub złamanie. Moment obrotowy zwiększa się proporcjonalnie do czasu działania. Należy zawsze dobrać czas dokręcania odpowiedni dla danej śruby.

5. Sprawdzenie właściwego momentu obrotowego

Wymienione poniżej czynniki mogą spowodować zmniejszenie momentu obrotowego dokręcania. Dlatego też przed przystąpieniem do pracy z urządzeniem należy próbnie wkręcić kilka śrub. Czynniki wpływające na wartość momentu obrotowego są następujące:

- (1) Napięcie
Kiedy akumulatory są bliskie wyczerpania, napięcie zostaje zmniejszone, a więc moment obrotowy także jest mniejszy.
- (2) Czas pracy
Moment obrotowy zwiększa się wraz z czasem pracy. Jednak moment obrotowy nie może wzrosnąć powyżej pewnej wartości maksymalnej, nawet jeżeli czas pracy jest długi.

- (3) Średnica śruby
Moment obrotowy jest różny dla śrub o różnej średnicy. Generalna zasada jest taka, że im większa średnica, tym większy powinien być moment obrotowy.
- (4) Warunki pracy
Moment obrotowy dokręcania zależy od współczynnika momentu obrotowego, klasy i długości śrub, nawet kiedy śruby posiadają gwint o takim samym rozmiarze. Wymagany moment obrotowy jest ponadto różny w zależności od stanu powierzchni materiału, w który śruba ma zostać wkręcona. Jeżeli śruba i nakrętka obracają się razem, wymagany moment obrotowy jest znacznie niższy.

KONSERWACJA I INSPEKCJA

1. Kontrola stanu wkrętaka

Użycie wkrętaka złamanego lub ze zużytą końcówką jest niebezpieczne, ponieważ może on się ześlizgnąć. Należy wymienić wkrętak.

2. Sprawdzanie śrub mocujących

Regularnie sprawdzaj wszystkie mocujące śruby i upewnij się, że są mocno przykręcone. Jeśli któraś z nich się obluzuje, natychmiast ją przykręć. Zaniedbanie tego może spowodować poważne zagrożenie.

3. Konserwacja silnika

Uzwojenie silnika stanowi kluczowy element narzędzia. Należy bardzo dokładnie pilnować, aby uzwojenie nie zostało uszkodzone i/lub zmoczone wodą lub olejem.

4. Czyszczenie obudowy zewnętrznej

Jeśli wiertarko/wkrętarka się popłami, wytrzyj ją miękką, suchą szmatką lub szmatką zmoczoną w wodzie z mydłem. Nie używaj rozpuszczalników na bazie chloru, benzyny lub rozpuszczalnika, ponieważ topią one plastik.

5. Przechowywanie

Przechowuj wiertarko/wkrętarkę poza zasięgiem dzieci i w miejscu gdzie temperatura wynosi poniżej 40°C.

6. Lista części zamiennych

UWAGA:

Naprawy, modyfikacji i kontroli Narzędzi Elektrycznych Hitachi może dokonywać tylko Autoryzowane Centrum Obsługi Hitachi.

Ta lista części będzie przydatna, jeśli zostanie wręczona Autoryzowanemu Centrum Obsługi Hitachi, gdy zaniesiemy narzędzie do naprawy lub przeglądu.

Podczas używania i konserwacji narzędzi elektrycznych należy przestrzegać przepisów i norm bezpieczeństwa danego kraju.

MODYFIKACJE:

Narzędzia elektryczne Hitachi są ciągle ulepszone i modyfikowane w celu wprowadzania najnowszych osiągnięć nauki i techniki.

W związku z tym pewne części mogą ulec zmianom bez uprzedzenia.

GWARANCJA

Gwarancja na elektronarzędzia Hitachi jest udzielana z uwzględnieniem praw statutowych i przepisów krajowych. Gwarancja nie obejmuje wad i uszkodzeń powstałych w wyniku niewłaściwego użytkowania lub wynikających z normalnego zużycia. W wypadku reklamacji należy dostarczyć kompletne elektronarzędzie do autoryzowanego centrum serwisowego Hitachi wraz z KARTĄ GWARANCYJNĄ znajdującą się na końcu instrukcji obsługi.

WSKAZÓWKA

W związku z prowadzonym przez Hitachi programem badań i rozwoju, specyfikacje te mogą się zmienić w każdej chwili bez uprzedzenia.

Informacja dotycząca poziomu hałasu i wibracji

Mierzone wartości było określone według EN60745 i zadeklarowane zgodnie z ISO 4871.

Zmierzony poziom dźwięku A: 103 dB (A)

Zmierzone ciśnienie akustyczne A: 92 dB (A)

Niepewność KpA: 3 dB (A)

Noś słuchawki ochronne.

Wartość całkowita wibracji (trójosiowa suma wektorowa), określona zgodnie z postanowieniami normy EN60745.

Dokręcanie udarowe łączników z wykorzystaniem maksymalnej wydajności narzędzia:

wartość emisji wibracji $\dot{a}_h = 18,1 \text{ m/s}^2$

Niepewność K = 1,5 m/s^2

OSTRZEŻENIE

- Wartość emisji wibracji podczas pracy narzędzia elektrycznego może różnić się od podanej wartości w zależności od sposobu wykorzystywania narzędzia.
- Aby określić środki bezpieczeństwa wymagane do ochrony operatora zgodnie z szacowaną wartością narażenia na zagrożenie w zależności od rzeczywistych warunków użytkowania (uwzględniając wszystkie etapy cyklu roboczego, a także przerwy w pracy urządzenia oraz praca w trybie gotowości).

SZERSZÁMGÉPEKRE VONATKOZÓ ÁLTALÁNOS BIZTONSÁGI FIGYELMEZTETÉSEK

⚠ FIGYELEM

Olvasson el minden biztonsági figyelmeztetést és minden utasítást.

A figyelmeztetések és utasítások be nem tartása áramütést, tüzet és/vagy súlyos sérülést eredményezhet.

Őrizzen meg minden figyelmeztetést és utasítást a jövőbeni hivatkozások érdekében.

A "szerszám gép" kifejezés a figyelmeztetésekben a hálózatról működő (vezetékes) vagy akkumulátorral működő (vezeték nélküli) szerszám gépre vonatkozik.

1) Munkaterületi biztonságr

a) **Tartsa a munkaterületet tisztán és jól megvilágítva.**

A teletszűfolt vagy sötét területek vonzzák a baleseteket.

b) **Ne üzemeltesse a szerszám gépeket robbanásveszélyes atmoszférában, mint például gyúlékony folyadékok, gázok vagy por jelenlétében.**

A szerszám gépek szikrákat keltenek, amelyek meggyújthatják a port vagy gőzöket.

c) **Tartsa távol a gyermekeket és körülállókát, miközben a szerszám gépet üzemelteti.**

A figyelemelvonás a kontroll elvesztését okozhatja.

2) Érintésvédelem

a) **A szerszám gép dugaszoknak meg kell felelniük az aljzatnak.**

Soha, semmilyen módon ne módosítsa a dugaszt. Ne használjon semmilyen adapter dugaszt földelt szerszám gépekkel.

A nem módosított dugaszok és a megfelelő aljzatok csökkentik az áramütés kockázatát.

b) **Kerülje a test érintkezését földelt felületekkel, mint például csövekkel, radiátorokkal, tűzhelyekkel és hűtőszekrényekkel.**

Az áramütés kockázata megnövekszik, ha a teste földelve van.

c) **Ne tegye ki a szerszám gépeket esőnek vagy nedves körülményeknek.**

A szerszám gépbe kerülő víz növeli az áramütés kockázatát.

d) **Ne rongálja meg a vezetéket. Soha ne használja a vezetéket a szerszám gép szállítására, húzására vagy kihúzására.**

Tartsa távol a vezetéket a hőtől, olajtól, éles szegélyektől vagy mozgó alkatrészekről.

A sérült vagy összekuszálódott vezetékek növelik az áramütés kockázatát.

e) **Szerszám gép szabadban történő üzemeltetése esetén használjon szabadtéri használatra alkalmas hosszabbító kábelt.**

A szabadtéri használatra alkalmas kábel használata csökkenti az áramütés kockázatát.

f) **Ha elkerülhetetlen a szerszám gép nyirkos helyen történő használata, használjon maradékáram-készülékkel (RCD) védett táplálást.**

Az RCD használata csökkenti az áramütés kockázatát.

3) Személyi biztonságr

a) **Álljon készenlétben, figyelje, hogy mit tesz, és használja a józan esztét a szerszám gép üzemeltetésekor.**

Ne használja a szerszám gépet fáradtan, kábítószert, alkohol vagy gyógyszer befolyása alatt.

A szerszám gépek üzemeltetése közben egy pillanatnyi figyelmetlenség súlyos személyi sérülést eredményezhet.

b) **Használjon személyi védőfelszerelést. Mindig viseljen védőszemüveget.**

A megfelelő körülmények esetén használjon védőfelszerelést, mint például a porálar, nem csúszó biztonsági cipő, kemény sisak, vagy hallásvédő csökkenti a személyi sérüléseket.

c) **Előzze meg a véletlen elindítást. Győződjön meg arról, hogy a kapcsoló a KI helyzetben van, mielőtt csatlakoztatja az áramforráshoz és/vagy az akkumulátorcsomaghoz, amikor felveszi vagy szállítja a szerszámot.**

A szerszám gépek szállítása úgy, hogy az ujjá a kapcsolón van vagy a bekapcsolt helyzetű szerszám gépek áram alá helyezése vonzza a baleseteket.

d) **Távolítson el minden állítókulcsot vagy csavarkulcsot, mielőtt bekapcsolja a szerszám gépet.**

A szerszám gép forgó részéhez csatlakoztatva hagyott csavarkulcs vagy kulcs személyi sérülést eredményezhet.

e) **Ne nyúljon át. Mindenkor álljon stabilan, és őrizze meg egyensúlyát.**

Ez lehetővé teszi a szerszám gép jobb ellenőrzését váratlan helyzetekben.

f) **Űjtözzön megfelelően. Ne viseljen laza ruházatot vagy ékszert. Tartsa távol a haját, ruházatát és kesztyűjét a mozgó részekről.**

A laza ruházat, ékszer vagy hosszú haj beakadhat a mozgó részekbe.

g) **Ha vannak rendelkezésre bocsátott eszközök a porleszívó és gyűjtő létesítmények csatlakoztatásához, gondoskodjon arról, hogy ezek csatlakoztatva és megfelelően használható legyenek.**

A porgyűjtő használata csökkentheti a porhoz kapcsolódó veszélyeket.

4) A szerszám gép használata és ápolása

a) **Ne erőltesse a szerszám gépet. Használjon az alkalmazásához megfelelő szerszám gépet.**

A megfelelő szerszám gép jobban és biztonságosabban végzi el a feladatot azon a sebességen, amelyre azt tervezték.

b) **Ne használja a szerszám gépet, ha a kapcsoló nem kapcsolja azt be és ki.**

Az a szerszám gép, amely a kapcsolóval nem vezérelhető, veszélyes és meg kell javítani.

c) **Húzza ki a dugaszt az áramforrásból és/vagy az akkumulátorcsomagot a szerszám gépből, mielőtt bármilyen beállítást végez, tartozékokat cserél vagy tárolja a szerszám gépeket.**

Az ilyen megelőző biztonsági intézkedések csökkentik a szerszám gép véletlen beindulásának kockázatát.

d) **A használaton kívüli szerszám gépeket tárolja úgy, hogy gyermekek ne érhessek el, és ne engedje meg, hogy a szerszám gépet vagy ezeket az utasításokat nem ismerő személyek üzemeltessék a szerszám gépet.**

Képzetlen felhasználók kezében a szerszám gépek veszélyesek.

e) **A szerszám gépek karbantartása. Ellenőrizze a helytelen beállítást, a mozgó részek elakadása, alkatrészek törése és minden olyan körülmény szempontjából, amelyek befolyásolhatják a szerszám működését.**

Ha sérült, használat előtt javíttassa meg a szerszámot.

Sok balesetet a rosszul karbantartott szerszámgépek okoznak.

f) A vágószerszámokat tartsa élesen és tisztán.

Az éles vágóélekkel rendelkező, megfelelően karbantartott vágószerszámok kevésbé valószínűen akadnak el és könnyebben kezelhetők.

g) A szerszám gép tartozékait és betétekeit, stb. használja ezeknek az utasításoknak megfelelően, figyelembe véve a munkakörülményeket és a végzendő munkát.

A szerszám gép olyan műveletekre történő használata, amelyek különböznek a szándékoltaktól, veszélyes helyzetet eredményezhet.

5) Akkumulátoros szerszám használata és ápolása

a) Csak a gyártó által előírt töltővel töltsé újra.

Az akkumulátor-köteg egy típusához alkalmas töltő tűzveszélyt okozhat, ha egy másik akkumulátor-köteggel használják.

b) A szerszám gépeket csak kifejezetten arra rendeltetett akkumulátor-kötegekkel használja.

Bármilyen más akkumulátor-köteg használata sérülés- és tűzveszélyt okozhat.

c) Amikor az akkumulátor-köteg nincs használatban, tartsa távol más fémtárgyaktól, mint például iratkapcsoktól, érméktől, kulcsoktól, szegektől, csavaroktól, vagy egyéb kis fémtárgyaktól, amelyek összekötést hozhatnak létre egyik csatlakozótól a másikhoz.

Az akkumulátor csatlakozóinak rövidre zárása égési sérüléseket vagy tüzet okozhat.

d) Helytelen körülmények között az akkumulátor folyadékokat bocsáthat ki; kerülje az érintkezést. Ha véletlenül érintkezés fordul elő, vízzel öblítse le. Ha a folyadék a szemmel kerül érintkezésbe, keressen orvosi segítséget is.

Az akkumulátorból kibocsátott folyadék irritációt vagy égéseket okozhat.

6) Szerviz

a) A szerszám gépét képesített javító személlyel szervizeltesse, csak azonos cserealkatrészek használatával.

Ez biztosítja, hogy a szerszám gép biztonsága megmaradjon.

VIGYÁZAT

Tartsa távol a gyermekeket és beteg személyeket.

Amikor nincs használatban, a szerszámokat úgy kell tárolni, hogy gyermekek és beteg személyek ne érhessek el.

AZ AKKUMULÁTOROS ÜTVECSAVARÓZÓ HASZNÁLATÁRA VONATKOZÓ ÖVINTÉZKEDÉSEK

1. Ez egy csavarok meghúzására és kilazítására szolgáló hordozható szerszám gép. Kizárólag ilyen munkára használja!
2. Tartós használata esetén használjon füldugót.
3. A készüléket egy kézzel használni rendkívül veszélyes; használat közben fogja erősen a készüléket két kézzel.
4. Miután felszerelte a behajtófejet, kissé húzza meg azt kifelé, meggyőződve róla, hogy az nem lazult-e ki. Ha a behajtófej rosszul van felszerelve, használat közben kilazulhat, ami veszélyt okozhat.

5. A csavarhoz illő behajtófejet használja.

6. Ha a csavar behajtásakor az ütőműves csavarbehajtó egy bizonyos szögben áll a csavarhoz képest, a csavarfej megrongálódhat és nem lesz biztosított a megfelelő erőátvitel a csavarra. Használatkor a csavarbehajtónak vonalba kell állnia a csavarral.

7. Az akkumulátort mindig 0°C és 40°C közötti hőmérsékleten töltsé. Az elemek külső hőmérsékleten, 0-40°C-on való töltése gátolhatja a megfelelő töltést, és csökkentheti az elem élettartamát. A legmegfelelőbb hőmérséklet a töltéshez 20-25°C.

8. Ha befejezett egy töltést, hagyja az akkumulátortöltőt kb. 15 percig állni, mielőtt másik töltésbe kezd. Ne töltsé az akkumulátort több, mint 2 órán át.

9. Ne engedje, hogy a tölthető akkumulátor csatlakoztatására szolgáló nyílásba idegen anyag kerüljön.

10. Soha ne szedje szét a tölthető akkumulátort és az akkumulátortöltőt.

11. Soha ne zárja rövidre a tölthető akkumulátort. Az akkumulátor rövidzárata nagy áramerősséget és magas hőmérsékletet eredményez. Ez égési sérülést, illetve az akkumulátor sérülését okozza.

12. Ne dobja tűzbe a tölthető akkumulátort.

A tűzbe dobott tölthető akkumulátor felrobbanhat.

13. Mielőtt a fal, padlózat, vagy a mennyezet vésésébe illetve fúrásba kezdene, győződjön meg róla, hogy nincsenek-e jelen beépített elektromos kábelek vagy vezetékek.

14. Ha az akkumulátor töltés utáni élettartama annyira lerövidül, hogy az gyakorlatilag használhatatlanná válik, vigye vissza az akkumulátort abba a boltba, ahol azt vásárolta. Ne dobja el a kimerült és tölthetetlené vált akkumulátort.

15. Kimerült és tölthetetlené vált akkumulátor használata károsíthatja az akkumulátortöltőt.

16. Ne dugjon semmiféle tárgyat az akkumulátortöltő szellőzőnyílásaiba.

Az akkumulátortöltő szellőzőnyílásaiba dugott fém vagy gyúlékony tárgyak elektromos áramütést, vagy az akkumulátortöltő sérülését okozhatják.

FIGYELMEZTETÉS A LÍTIUMION AKKUMULÁTORRAL KAPCSOLATOSAN

Az élettartam meghosszabbításához a lítiumion akkumulátor védelmi funkcióval van ellátva a működés leállításához. Az alábbi leírt 1 - 3. esetben a termék használatakor a motor leállhat, még ha húzza is a kapcsolót. Ez nem meghibásodást jelez, hanem a védelmi funkció eredménye.

1. Amikor az akkumulátorban lemerül a töltés, a motor leáll.

Ilyen esetben haladéktalanul fel kell tölteni.

2. Ha az eszköz túl van terhelve, előfordulhat, hogy a motor leáll. Ez esetben oldja a szerszám kapcsolóját és hárítsa el a túlterhelés okát. Ezt követően a gépet ismét használhatja.

3. Ha az akkumulátor a túlterhelt munka mellett túlmelegszik, az akkumulátor árama megállhat.

Ebben az esetben hagyja abba az akkumulátor használatát és hagyja lehűlni az akkumulátort. Ezután ismét használhatja.

Kérjük, vegye figyelembe az alábbi figyelmeztetéseket és biztonsági tudnivalókat.

FIGYELMEZTETÉS

Az akkumulátor szivárgásának, felforrósodásának, füst képződésének, illetve a robbanás vagy tűz keletkezésének megelőzése érdekében kérjük, tartsa be az alábbi óvintézkedéseket.

- Ügyeljen rá, hogy fémgörgács és por ne gyülemeljen fel az akkumulátoron.
- Munka közben ügyeljen rá, hogy fémgörgács és por ne hulljon az akkumulátorra.
- Ügyeljen rá, hogy a munka közben az elektromos kéziszerszámra hulló fémgörgács és por ne gyülemeljen fel az akkumulátoron.
- A használaton kívül akkumulátort ne tárolja fémgörgácsnak és pornak kitett helyen.
- Az akkumulátor eltávolása előtt távolítsa el a rárakódott fémgörgácsot és port, és ne tárolja fém alkatrészekkel együtt (csavarok, szögek, stb.).
- Ne bontsa meg az akkumulátor burkolatát hegyes tárggyal, például tüvel, ne üssön rá kalapáccsal, ne álljon rá, ne ejtse le, és ne tegye ki erős fizikai behatásnak.
- Ne használjon láthatóan sérült vagy deformálódott akkumulátort.
- Ne használja az akkumulátort fordított polaritással.
- Ne csatlakoztassa az akkumulátort közvetlenül az elektromos csatlakozóaljzathoz vagy szivargyűjtő-csatlakozóhoz.
- Az akkumulátort kizárólag rendeltetése szerint használja.
- Azonnal állítsa le az akkumulátor töltését, ha a töltés az előírt töltési idő után sem sikeres.
- Ne tegye ki az akkumulátort magas hőmérsékletnek vagy nyomásnak. Ne helyezze az akkumulátort mikrohullámú sütőbe, szárítógépbe vagy nagynyomású konténerbe.

- Az akkumulátort tartsa tűztől távol, ha szivárgást vagy áporodott szagot észlel.
- Ne használja az akkumulátort erős statikus elektromosság közelében.
- Azonnal vegye ki az akkumulátort a készülékből vagy a töltőből, és hagyja abba annak használatát, ha szivárgást, áporodott szagot, felforrósodást, elszíneződést vagy deformációt észlel.

FIGYELEM

- Ha az akkumulátorból szivárgó sav szembe jutna, semmiképpen ne dörzsölje, hanem öblítse ki folyó vízzel, és azonnal forduljon orvoshoz. Kezelés nélkül a folyadék látáskárosodást okozhat.
- Ha a folyadék bőrrel vagy ruházatával érintkezik, azonnal mossa le folyó vízzel.
- A folyadék irritálhatja a bőrt.
- Ne használja az akkumulátort, és vigye azt vissza a kereskedőhöz, ha az első alkalommal való használatkor rozsdásodást, áporodott szagot, felforrósodást, elszíneződést, deformációt vagy egyéb rendellenességet észlel.

FIGYELMEZTETÉS

Ha egy elektromosan vezetőképes idegen tárgy kerül a lítium-ion akkumulátor csatlakozói közé, rövidzárlat fordulhat elő, tűzveszélyt eredményezve. Az akkumulátor tárolásakor vegye figyelembe a következő dolgokat.

- Ne tegyen elektromosan vezetőképes forgácsot, szegeket, acéldrótot, rézdrótot vagy egyéb drótot a tároló dobozba.**
- Vagy szerelje be az akkumulátort a szerszámgépbe, vagy tárolja biztonságosan benyomva az akkumulátorfedélbe, amíg a szellőzőnyílásokat elrejtí a rövidzárlat megelőzéséhez. (Lásd 1. Ábra)**

MŰSZAKI ADATOK

KÉZISZERSZÁM

Terheletlen sebesség	0 - 2500 min ⁻¹
Teljesítmény (szabályos méretű csavar)	M5-M12
Meghúzási nyomaték (Maximum)	95 N·m
Tölthető akkumulátor	BCL1015: Li-ion 10,8 V / Max. 12 V (1,5 Ah 3 cella)
Súly	1,0 kg

AKKUMULÁTORTÖLTŐ

Típus	UC10SFL
Töltőfeszültség	10,8 V
Súly	0,35 kg

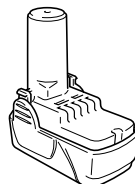
STANDARD TARTOZÉKOK

WH10DFL (2LCSK)	① Plusz behajtófej (No 2 × 50L)	1
	② Akkumulátor (BCL1015)	2
	③ Akkumulátortöltő (UC10SFL)	1
	④ Műanyag tok	1
	⑤ Akkumulátorfedél	1

A standard tartozékok előzetes bejelentés nélkül változhatnak.

OPCIONÁLIS TARTOZÉKOK (külön beszerezhetők)

- Akkumulátor (BCL1015)



Az opcionális tartozékok előzetes bejelentés nélkül változhatnak.

ALKALMAZÁSOK

- Gépcsavarak, facsavarak, menetvágók, stb. be- és kicsavarása.

AZ AKKUMULÁTOR KIVÉTELE/BEHELYEZÉSE

1. Az akkumulátor kivétele

Tartsa szorosan a markolatot, és nyomja be az akkumulátor reteszét az akkumulátor eltávolításához (lásd 1. és 2. Ábrák).

FIGYELEM

Soha ne zárja rövidre az akkumulátort.

2. Az akkumulátor behelyezése

Illessze helyére az akkumulátort, a megfelelő polarításokat betartva (lásd 2. Ábra).

TÖLTÉS

Mielőtt használatba venné az elektromos kéziszerszámot, töltsse fel az akkumulátort a következőképpen:

1. Csatlakoztassa a töltő tápkábelét a dugaszaljba

2. Helyezze be az akkumulátort a töltőbe

Helyezze úgy az akkumulátort, hogy annak névtáblája a töltő névtáblája felé nézzen, majd nyomja le az akkumulátort úgy, hogy az érintkezzen az alsó lemezzel (lásd 3. Ábra).

Ha behelyezi az akkumulátort, bekapcsol a töltő (bekapcsol az állapotjelző lámpa).

FIGYELEM

Ha nem gyullad ki a jelzőlámpa, húzza ki a zsinórt, és ellenőrizze, hogy az akkumulátor megfelelően a helyére illeszkedik-e.

Ekkor a jelzőlámpa elalszik, és ezzel jelzi, hogy az akkumulátor teljesen fel van töltve.

FIGYELEM

Ha az akkumulátor közvetlenül a használatot követően pl. napfény, stb. hatására felmelegedett, akkor előfordulhat, hogy az akkumulátortöltő lámpája nem gyullad ki. Ilyenkor először várjon, amíg az akkumulátor lehűl, majd kezdje el annak feltöltését.

- A töltési idővel kapcsolatos megjegyzések
Az 1. táblázat mutatja a szükséges újratöltési időt az akkumulátor típusa szerint.

1. táblázat Újratöltési idő (kb. perc) 20°C esetén

Akkumulátor feszültség (V)	Akkumulátor kapacitás (Ah)	
	1,5 Ah	
10,8 V	BCL1015	40 perc

MEGJEGYZÉS: Az újratöltési idő a környező hőmérséklettel függően változhat.

3. Húzza ki a hálózati csatlakozószinórt a dugaszolóaljzatból

4. Tartsa szilárdan kézben az akkumulátortöltőt, és húzza ki belőle az akkumulátort

MEGJEGYZÉS

Töltés után az akkumulátort feltétlenül ki kell húzni a töltőből és megfelelő helyen kell tárolni azt.

Hogyan érhető el, hogy az akkumulátorok tovább tartsanak.

- (1) Az akkumulátorokat teljes lemerülésük előtt töltsse fel. Amikor érzi, hogy a kéziszerszám teljesítménye gyengül, ne használja azt tovább, hanem töltsse fel az akkumulátort. Amennyiben tovább használja a gyengülő erejű szerszámot és teljesen lemeríti azt, az akkumulátor megsérülhet és élettartama emiatt lerövidülhet.
- (2) Kerülje a magas hőmérsékleten történő töltést. A tölthető akkumulátor közvetlenül használat után forró lesz. Ha egy ilyen akkumulátort közvetlenül a használat után tölteni kezd, akkor annak belső vegyi anyaga bomlásnak indul, és az akkumulátor élettartama lerövidül. Hagyja az akkumulátort hűlni egy darabig, és csak akkor töltsse fel, ha teljesen lehűt.

FIGYELEM:

- Amikor az akkumulátortöltő folyamatosan használatban van, az akkumulátortöltő felmelegszik, ezáltal képezve a meghibásodások okát. Ha a töltés befejeződött, hagyja 15 percig pihenni a következő töltésig.
- Ha az akkumulátortöltő nem működik, miközben az akkumulátor megfelelően került beszerelésre, valószínű, hogy az akkumulátor vagy a töltő hibás. Vigye el a felhatalmazott szervizközpontba.

AZ ÜZEMELÉS ELŐTTI ÓVINTÉZKEDÉSEK

1. A munkahely elrendezése és ellenőrzése

A fenti biztonsági utasításoknak megfelelően ellenőrizze, hogy munkakörnyezet megfelelő.

A KÉSZÜLÉK HASZNÁLATA

1. A behajtófej felszerelése

A behajtófej felszerelését mindig az alábbi módszer szerint végezze (4. Ábra).

- (1) Húzza előre a vezetőhüvelyt.
- (2) Dugjon egy behajtófejet a befogóperselyben található hatszögletű nyílásba.
- (3) Elengedés
Engedje el a vezetőhüvelyt, mire az visszatér eredeti helyzetébe.

FIGYELEM:

Ha a vezetőhüvely nem térne vissza eredeti helyzetébe, akkor az azt jelenti, hogy a behajtófej szabálytalanul van felszerelve.

2. A behajtófej eltávolítása

Kérjük, tegye a behajtófej beszerelési módjának ellenkezőjét.

3. Ellenőrizze, hogy az akkumulátor megfelelően a helyére legyen helyezve

4. Ellenőrizze a forgási irányt

A választógomb „R” (JOB) oldalának megnyomására a szerszámhegy az óramutató járásával megegyező irányban forog (hátról nézve). A választógomb „L” (BAL) állásának megnyomására a szerszámhegy az óramutató járásával ellentétes irányba fog forogni (Lásd 5. Ábra) (Az (R) illetve (L) jelek a készülék testén vannak bejelölve).

5. A kapcsoló működtetése

- A kapcsoló ravasz meghúzásakor a szerszám forogni kezd. A ravasz elengedésekor a szerszám megáll.

- A fűrőgép forgási sebessége a ravasz meghúzásának mértékével szabályozható. A ravasz enyhe meghúzásakor a fordulatszám alacsony, a meghúzás fokozásával pedig egyre magasabb lesz.

MEGJEGYZÉS

- A motor forgásának elkezdése előtt zümmögő hang hallható. Ez csupán a gép hangja, és nem hibát jelez.

6. A lámpa használata

Húzza meg az aktiváló kapcsolót a lámpa bekapcsolásához. A lámpa addig világít, amíg a kapcsolót hátrahúzza tartja. Ha elengedi azt, akkor a lámpa kikapcsol. (6. Ábra)

VIGYÁZAT:

Ne nézzon közvetlenül a lámpába. Az ilyen műveletek szemsérülést eredményezhetnek.

7. Csavarok meghúzása és kiliztása

Szereljen fel a csavarhoz illő behajtófejet, állítsa vonalba azt a csavarfejen található vájattal, majd húzza meg a csavart.

Az ütőműves csavarbehajtót a behajtási művelet közben annyira kell nyomni, hogy a behajtófej a csavarfejen maradjon.

FIGYELEM

Ha túl hosszú ideig szorítja az ütőműves csavarbehajtót a csavarhoz, túlságosan meghúzza azt, és a csavar eltörhet.

Ha a csavar behajtásakor az ütőműves csavarbehajtó egy bizonyos szögben áll a csavarhoz képest, a csavarfej megrongálódhat és nem lesz biztosított a megfelelő erőátvitel a csavarra.

Használhatok a csavarbehajtónak vonalba kell állnia a csavarral.

AZ ÜZEMELTETÉSRE VONATKOZÓ FIGYELMEZTETÉSEK

1. A készülék pihentetése folyamatos munkavégzés után

A folyamatos csavarmeghúzási munkát követően pihentesse a készüléket körülbelül 15 percre, amikor akkumulátort cserél. A motor, a kapcsoló, stb. hőmérséklete megnövekszik, ha az akkumulátor cseréje után azonnal megkezdik a munkát, aminek következtében a motor adott esetben kiéghet.

MEGJEGYZÉS

Ne érintse meg a fém alkatrészeket, mivel azok folyamatos munka közben nagyon felmelegsznek.

2. A fordulatszám-szabályozó kapcsoló használatára vonatkozó figyelmeztetések

Ez a kapcsoló beépített elektromos áramkörrel rendelkezik, amellyel fokozatmentesen változtatható a készülék fordulatszáma. Következésképpen az indítókapcsolón enyhe meghúzásakor (alacsony fordulatszámon) az elektromos áramkör alkatrészei túlmelegedhetnek és megrongálódhatnak, ha a csavarok folyamatos behajtása közben leállítják a motort.

3. Az adott csavarhoz illő meghúzási időtartam használata

Egy adott csavar meghúzási nyomatéka a csavar anyagától és méretétől, illetve attól az anyagtól, amelybe a csavart behajtják, stb. függően eltérő lehet, ezért az adott csavarhoz alkalmas meghúzási időtartamot kell használni. Így például, amennyiben M8 méretűnél kisebb csavarok meghúzásakor hosszú meghúzási időt

alkalmaznak, úgy fennáll a csavar eltörésének veszélye, ezért előzetesen tisztázni kell a meghúzás időtartamát és a meghúzási nyomaték nagyságát.

4. A behajtandó anyás csavarhoz alkalmas meghúzási nyomaték alkalmazása

Anyacsavarok vagy anyás csavarok optimális meghúzási nyomatéka eltérő lehet azok anyagától és méretétől függően. Ha kisméretű anyás csavarhoz túl nagy meghúzási nyomatékokat alkalmaznak, az szétlapulhat vagy eltörhet. A meghúzási nyomaték értéke az üzemidővel arányosan növekszik. Alkalmazzon megfelelő meghúzási időtartamot az anyás csavarokhoz.

5. A meghúzási nyomaték jóváhagyása

Az alábbi tényezők elősegítik a meghúzási nyomaték csökkentését. Ezért, mielőtt hozzálátna a munkához a kézi csavarbehajtó készülékkel, tisztázni kell a bizonyos anyás csavarok behajtásakor szükséges tényleges meghúzási nyomaték értékét. A meghúzási nyomatékok befolyásoló tényezők a következők:

(1) Feszültség

Az akkumulátor lemerülési határértékének elérésekor a feszültség és azzal párhuzamosan a meghúzási nyomaték értéke is csökken.

(2) Üzemidő

Az üzemidő növekedésével párhuzamosan a meghúzási nyomaték értéke is növekszik. A meghúzási nyomaték azonban nem növekedhet egy bizonyos érték fölé, még akkor sem, ha a szerszámot hosszú időre bekapcsolva hagyja.

(3) Az anyás csavar átmérője

A meghúzási nyomaték eltér az anyacsavar átmérőjétől. Általában véve egy nagyobb átmérőjű anyacsavar nagyobb meghúzási nyomatékokat igényel.

(4) Meghúzási feltételek

A meghúzási nyomaték a nyomatéki tényezőtől, továbbá a csavar anyagának minőségi osztályától és a csavar hosszától függően változik, még akkor is, ha ugyanolyan méretű menettel ellátott csavarokat használnak. A meghúzási nyomaték ezen kívül annak a munkadarabnak a felületétől függően is eltérő lehet, amelybe a csavart behajtják. Ha a csavar és az anyja együtt forog, a nyomaték értéke jelentősen csökken.

KARBANTARTÁS ÉS ELLENŐRZÉS

1. A behajtófej ellenőrzése

Törött vagy kikopott végű behajtófej használata veszélyesnek bizonyulhat, mivel behajtás közben a fej megcsúszhat. Cserélje ki az ilyen fejet.

2. A rögzítőcsavarok ellenőrzése

Rendszeresen ellenőrizze az összes rögzítőcsavart, és ügyeljen rá, hogy azok megfelelően meg legyenek húzva. Ha valamelyik csavar ki lenne lazulva, azonnal húzza meg. Ennek elmulasztása súlyos veszéllyel járhat.

3. A motor karbantartása

A motor részegység az elektromos szerszámgép "szíve". Ügyelni kell arra, nehogy a motor tekeréscselése megrongálódjon és/vagy olajjal, illetve vízzel benedvesedjen.

4. A kéziszerszám külső tisztítása

Ha a behajtó/fűrőgép beszennyeződött, törölje le puha, száraz, vagy szappanos vízzel megnedvesített rongydarabbal.

Ne használjon klórtartalmú oldószereket, benzint, vagy hígítót, mert ezek oldják a műanyagokat.

5. Tárolás

A behajtó/fűrőgépet olyan helyen tárolja, ahol a hőmérséklet 40°C alatt van, és ahol gyermekek nem férhetnek hozzá a kéziszerszámhoz.

6. Szervizelési alkatrészlista

FIGYELEM

Hitachi kéziszerszámok javítását, módosítását és ellenőrzését csak Hitachi Szakszervíz végezheti.

Javítás vagy egyéb karbantartás esetén hasznos ha ezt a szervíz-alkatrész listát a szerszámmal együtt átadjuk a Hitachi Szakszervíznek.

A kéziszerszámok üzemeltetése és karbantartása során be kell tartani az egyes országokban érvényben lévő biztonsági rendelkezéseket és szabványokat.

MÓDOSÍTÁSOK

A Hitachi kéziszerszámok állandó tökéletesítéseken mennek át, hogy alkalmazni tudják a legújabb műszaki fejlesztések eredményeit.

Éppen ezért egyes alkatrészek előzetes bejelentés nélkül megváltozhatnak.

GARANCIA

A Hitachi Power Tools szerszámokra a törvényes/országos előírásoknak megfelelő garanciát vállalunk. A garancia nem vonatkozik a helytelen vagy nem rendeltetésszerű használatból, továbbá a normál mértékűnek számító elhasználódásból, kopásból származó meghibásodásokra, károokra. Reklamáció esetén kérjük, küldje el a - nem szétszerelt - szerszámot a kezelési útmutató végén található GARANCIA BIZONYLATTAL együtt a hivatalos Hitachi szervizközpontba.

MEGJEGYZÉS

A HITACHI folyamatos kutatási és fejlesztési programja következtében az itt szereplő műszaki adatok előzetes bejelentés nélkül változhatnak.

A környezeti zajra és vibrációra vonatkozó információk

A mért értékek az EN60745 szabványnak megfelelően kerültek meghatározásra és az ISO 4871 alapján kerülnek közzétételre.

Mért A hangteljesítmény-szint: 103 dB (A)

Mért A hangnyomás-szint: 92 dB (A)

Bizonytalanság KpA: 3 dB (A)

Viseljen hallásvédelmi eszközt.

VEN60745 szerint meghatározott rezgési összértékek (háromtengelyű vektorösszeg).

A rögzítők meghúzása a szerszámgép maximális kapacitáson való üzemelése mellett:

Rezgési kibocsátási érték $\mathbf{ah} = 18,1 \text{ m/s}^2$

Bizonytalanság K = 1,5 m/s²

FIGYELEM

○ A rezgési kibocsátási érték a szerszámgép tényleges használata során különbözhet a megadott értéktől a szerszám használatának módjaitól függően.

- A kezelő védelméhez szükséges biztonsági intézkedések azonosításához, amelyek a használat tényleges körülményeinek való kitétség becslésén alapulnak (számításba véve az üzemeltetési ciklus minden részét, mint például az időket, amikor a szerszám ki van kapcsolva, és amikor üresjáratban fut a bekapcsolási időn túl).

OBECNÁ VAROVÁNÍ TÝKAJÍCÍ SE BEZPEČNOSTI EL. PŘÍSTROJE

⚠ UPOZORNĚNÍ

Přečtěte si všechna varování týkající se bezpečnosti a všechny pokyny.

Nedodržení těchto varování a pokynů může mít za následek elektrický šok, požár a/nebo vážné zranění.

Všechna varování a pokyny si uschovejte. V budoucnu se vám mohou hodit.

Pojem "elektrický nástroj" v těchto varováních se vztahuje k vašemu elektrickému nástroji napájenému ze sítě (se šňůrou) nebo napájenému z baterie (bez šňůry).

1) Bezpečnost na pracovišti

a) Udržujte vaše pracoviště čisté a dobře osvětlené.

V důsledku nepořádku nebo tmy dochází k nehodám.

b) Neprovazujte elektrické nástroje ve výbušném ovzduší, např. v přítomnosti hořlavých kapalin, plynů či prachu.

Elektrické nástroje produkují jiskry, které by mohly zapálit prach anebo plyny.

c) Během práce s elektrickým nástrojem zabraňte přístupu dětí a přihlížejících osob.

Rozptylování by mohlo způsobit ztrátu vaší kontroly nad nástrojem.

2) Elektrická bezpečnost

a) Zástrčka elektrického nástroje musí odpovídat zásuvce.

Nikdy se nepokoušejte zástrčku jakkoli upravovat. U uzemněných elektrických nástrojů nepoužívejte žádné rozbočovací zásuvky.

Neupravované zástrčky a odpovídající zásuvky snižují nebezpečí elektrického šoku.

b) Zabráňte kontaktu s uzemněnými povrchy jako jsou trubky, radiátory, sporáky a lednice.

Je-li uzemněné vaše tělo, existuje zvýšené nebezpečí elektrického šoku.

c) Nevystavujte elektrický nástroj dešti nebo vlhkým podmínkám.

Voda, která vnikne do elektrického nástroje, zvyšuje nebezpečí elektrického šoku.

d) Zacházejte správně s napájecí šňůrou. Nikdy šňůru nepoužívejte k přenášení, tahání nebo odpojování elektrického nástroje ze zásuvky.

Umístěte napájecí šňůru mimo působení horka, mimo olej, ostré hrany nebo pohybující se části. Poškozené nebo zamotané šňůry zvyšují nebezpečí elektrického šoku.

e) Během provozu elektrického nástroje venku používejte prodlužovací šňůru vhodnou k venkovnímu použití.

Použití šňůry vhodné k venkovnímu použití snižuje nebezpečí elektrického šoku.

f) Pokud je použití elektrického nástroje na vlhkém místě nevyhnutelné, použijte napájení s ochranným zařízením na zbytkový proud.

Použití zařízení na zbytkový proud snižuje riziko elektrického šoku.

3) Osobní bezpečnost

a) Buďte pozorní, sledujte, co děláte a při práci s elektrickým nástrojem používejte zdravý rozum.

Elektrický nástroj nepoužívejte, jste-li unavení nebo pod vlivem drog, alkoholu nebo léků.

Jediný okamžik nepozornosti při práci s elektrickým nástrojem může způsobit vážné zranění.

b) Používejte osobní ochranné pracovní pomůcky. Vždy noste ochranu očí.

Ochranné pracovní pomůcky jako respirátor, bezpečnostní obuv s protiskluzovou podrážkou, ochranná přilba nebo ochrana sluchu použité v příslušných podmínkách snižují možnost zranění.

c) Zabraňte nechtěnému spuštění. Před připojením ke zdroji napájení a/nebo bateriového zdroje, zvedáním nebo přenášením elektrického nástroje se ujistěte, že je spínač v poloze vypnuto.

Nošením elektrických nástrojů s prstem na vypínači nebo jejich aktivací s vypínačem v poloze zapnuto vzniká nebezpečí úrazu.

d) Před zapnutím elektrického nástroje odstraňte seřizovací klíč.

Klíč ponechaný připevněný k rotující části elektrického nástroje může způsobit zranění.

e) Nepřehánějte to. Vždy si udržujte správné postavení a stabilitu.

To umožní lepší kontrolu nad elektrickým nástrojem v nepředvídaných situacích.

f) Noste správný oděv. Noste volné oblečení ani šperky. Vlasy, oděv a rukavice udržujte mimo pohybující se části.

Volný oděv, šperky nebo dlouhé vlasy mohou být vtaheny do pohybujících se částí.

g) Pokud jsou k dispozici zařízení k připojení přístrojů k odsávání a sběru prachu, ujistěte se, že jsou připojena a správně používána.

Použitím zařízení ke sběru prachu lze snížit rizika související s prachem.

4) Používání a péče o elektrický nástroj

a) Netlačte na elektrický nástroj. Používejte vždy vhodný elektrický nástroj pro danou aplikaci.

Správný elektrický nástroj provede daný úkol lépe a bezpečněji, rychleji, pro jakou byl zkonstruován.

b) Nepoužívejte elektrický nástroj, pokud nefunguje jeho zapínání a vypínání pomocí vypínače.

Jákykoli elektrický nástroj, který nelze ovládat vypínačem, je nebezpečný a musí být opraven.

c) Před prováděním jakéhokoli seřízení, před výměnou příslušenství nebo uskladněním elektrických nástrojů vždy nejprve odpojte zástrčku ze zdroje napájení a/nebo odpojte bateriový zdroj.

Taková preventivní opatření snižují nebezpečí nechtěného spuštění elektrického nástroje.

d) Nepoužívejte elektrické nástroje skladujte mimo dosah dětí a nedovoďte, aby s elektrickým nástrojem pracovaly osoby, které nejsou seznámeny s ním nebo s pokyny k jeho používání.

Elektrické nástroje v rukou nevyškolených uživatelů jsou nebezpečné.

e) Udržujte elektrické nástroje. Kontrolujte případná vychýlení nebo sevření pohybujících se částí, poškození částí a jakékoli ostatní podmínky, které mohou mít vliv na provoz elektrických nástrojů.

V případě poškození nechte elektrický nástroj před jeho dalším použitím opravit.

Mnoho nehod vzniká v důsledku nesprávné údržby elektrických nástrojů.

- f) **Udržujte řezací nástroje ostré a čisté.**
Správně udržované řezací nástroje s ostrými reznými hranami se méně pravděpodobně zaseknou a lépe se ovládají.
- g) **Elektrický nástroj, příslušenství, vsazené části atd. používejte v souladu s těmito pokyny. Berte přitom zřetel na pracovní podmínky a prováděnou práci.**
Použití elektrického nástroje k jinému než určenému účelu může způsobit nebezpečnou situaci.
- 5) **Použití a péče o přístroj na baterie**
- a) **Dobíjejte pouze nabíječkou specifikovanou výrobcem.**
Nabíječka, která je vhodná pro jeden typ bateriového zdroje, může v případě použití s jiným bateriovým zdrojem způsobit nebezpečí požáru.
- b) **Elektrické přístroje používejte výhradně se specifikovanými bateriovými zdroji.**
Použitím jakéhokoli jiného bateriového zdroje může vzniknout nebezpečí poranění a požáru.
- c) **Když bateriové zdroje nepoužíváte, udržujte je mimo ostatní kovové předměty jako jsou kancelářské sponky, mince, klíče, hřebíky, šroubky či jiné malé kovové předměty, které mohou způsobit kontakt mezi oběma póly.**
Vzájemné zkratování pólů baterie může způsobit popáleniny nebo požár.
- d) **Při nevhodném zacházení může z baterie vytékat kapalina; zamezte kontaktu s ní.**
V případě náhodného kontaktu místo omyjte vodou. V případě kontaktu této kapaliny s očima pak vyhledejte lékařskou pomoc.
Kapalina vytékající z baterie může způsobit podráždění nebo popáleniny.
- 6) **Servis**
- a) **Servis vašeho elektrického nástroje svěřte kvalifikovanému opraváři, který použije pouze identické náhradní díly.**
Tak bude i nadále zajištěna bezpečnost elektrického nástroje.

PREVENTIVNÍ OPATŘENÍ

Ne dovolte přístup dětem a slabomyslným osobám.

Pokud nástroje nepoužíváte, měli byste je skladovat mimo dosah dětí a slabomyslných osob.

BEZPEČNOSTNÍ PODMÍNKY PRO RÁZOVÝ UTAHOVÁK

1. Toto je přenosný nástroj pro utahování a povolování šroubů. Používejte jej pouze pro tyto operace.
2. Používáte-li nástroj po dlouhou dobu, používejte ochranné sluchové pomůcky.
3. Práce jednou rukou je velice nebezpečná; při práci držte nástroj pevně oběma rukama.
4. Po vložení hrotu pro šroubování zatáhněte mírně za hrot směrem ven, abyste se ujistili, že není uvolněný. Jestliže není hrot namontován správně, mohl by se během provozu uvolnit, což může být nebezpečné.
5. Používejte takový hrot šroubováku, který odpovídá šroubu.
6. Utahováním šroubu pomocí rázového šroubováku pod úhlem vůči šroubu může poškodit hlavu šroubu a na šroub nebude přenášena správná síla. Utažení šrouby pomocí tohoto rázového šroubováku tak, aby byl šroubovák se šroubem v jedné přímce.

7. Nabíjejte akumulátor při teplotách 0-40°C. Nabíjení akumulátoru při teplotách mimo rozsah 0-40°C může způsobit nesprávné nabíjení a snížit životnost akumulátoru. Nejvhodnější teploty pro nabíjení jsou mezi 20 až 25°C.
8. Po skončení nabíjecího cyklu počkejte 15 minut, než začnete nabíjet další akumulátor.
9. Nenabíjejte akumulátor déle než 2 hodiny.
10. Nedovolte, aby se do otvoru pro připojení akumulátoru dostaly cizí předměty nebo materiály.
11. Nikdy nerozebírejte akumulátor nebo nabíječku.
12. Nikdy nezkratujte akumulátor. Zkrat akumulátoru způsobí prudký nárůst elektrického proudu a přehřátí. To vede ke spálení nebo poškození akumulátoru.
13. Nezahazujte akumulátor do ohně. Oheň způsobí explozi.
14. Pokud vrtáte ve stěně, podlaze nebo stropu, zkontrolujte, zda neobsahují skryté elektrické vodiče a podobně.
15. Vratte akumulátor do obchodu, kde jste ho zakoupili, jakmile dosáhne konce životnosti. Neodhazujte použitý akumulátor.
16. Používání vyčerpaného akumulátoru způsobí poškození nabíječky.
17. Nevkládejte předměty do větracích otvorů na nabíječce. Kov nebo hořlavý materiál ve větracích otvorech způsobí nebezpečí zkratu a zničí nabíječku.

UPOZORNĚNÍ PRO LITHIUM-IONOVÉ BATERIE

Z důvodu prodloužení životnosti je lithium-ionová baterie vybavena ochrannou funkcí zastavení výkonu. V případech 1 až 3 popsanych níže se může motor během používání tohoto výrobku zastavit, přestože držíte spínač. Nejedná se o závadu ale o výsledek ochranné funkce.

1. Jakmile dojde k vybití zbývajících kapacity baterie, motor se zastaví.
V takovém případě baterii okamžitě dobijte.
2. Pokud je nástroj přetížen, motor se může zastavit. V takovém případě uvolněte spínač nástroje a odstraňte příčinu přetížení. Potom můžete nástroj znovu používat.
3. Je-li baterie přehřátá a přetížená, může se bateriový pohon zastavit.
V tom případě přestaňte baterii používat a nechte ji vychladnout. Poté ji můžete opět používat.

Dále prosím dbejte následujících varování a upozornění.

UPOZORNĚNÍ

Abyste předešli případnému úniku kapaliny z baterie, vzniku tepla, emisím kouře, výbuchu a vznícení, dbejte následujících bezpečnostních pokynů.

1. Ujistěte se, že se na akumulátoru neusazují piliny a prach.
 - Během práce kontrolujte, že na akumulátoru nepadají piliny a prach.
 - Ujistěte se, že se piliny a prach padající během práce na elektrický nástroj neusazují na akumulátoru.
 - Akumulátor, který nepoužíváte, neskladujte na místě vystaveném pilinám a prachu.
 - Před uskladněním akumulátoru odstraňte veškeré piliny a prach, který na ní může být usazený, a neskladujte ho společně s kovovými předměty (šroubky, hřebíky atd.).
2. Nepropíchejte baterii ostrým předmětem jako je nehet, nebouchejte do ní kladivem, nestoupejte na ni, neházejte jí ani ji nevystavujte závažným fyzickým šokům.
3. Nepoužívejte viditelně poškozenou či deformovanou baterii.

- Nepoužívejte baterii s obrácenou polaritou.
- Nepřipojujte ji přímo k elektrickému výstupu ani k zásuvce cigaretového zapalovače v automobilu.
- Nepoužívejte baterii k jinému než specifikovanému účelu.
- Pokud se nabíjení baterie nedokončí, i když uvedená doba nabíjení uplynula, ihned zastavte další nabíjení.
- Nevystavujte baterii působení vysokých teplot nebo vysokého tlaku, neumísťujte ji např. do mikrovlnné trouby, sušičky nebo vysokotlakého zásobníku.
- V případě zjištění úniku nebo zápachu okamžitě umístěte z dosahu ohně.
- Nepoužívejte v oblasti se silnou statickou elektřinou.
- V případě úniku kapaliny z baterie, zápachu, vznikajícího tepla, ztráty barvy, deformace nebo v případě jakékoli abnormality během používání, nabíjení nebo skladování baterii okamžitě vyjměte z přístroje či nabíječky a přestaňte ji používat.

POZOR

- Pokud se vám kapalina unikající z baterie dostane do očí, netřete si je a dobře je vymyjte čistou vodou jako je voda z vodovodu a ihned kontaktujte lékaře. Bez ošetření může kapalina způsobit problémy se zrakem.

PARAMETRY

ELEKTRICKÝCH ZAŘÍZENÍ

Rychlost bez zatížení	0 - 2500 min ⁻¹
Kapacita (Běžný šroub)	M5-M12
Utahovací moment (Maximum)	95 N·m
Akumulátor	BCL1015: Li-ion 10,8 V / 12 V nabíječ (1,5 Ah 3 článků)
Váha	1,0 kg

NABÍJEČKA

Model	UC10SFL
Nabíjecí napětí	10,8 V
Váha	0,35 kg

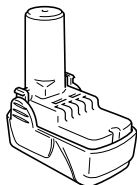
STANDARDNÍ PŘÍSLUŠENSTVÍ

WH10DFL (2LCSK)	① Plus vrták (Č. 2 x 50L)	1
	② Akumulátor (BCL1015)	2
	③ Nabíječka (UC10SFL)	1
	④ Kufřík z plastu	1
	⑤ Kryt baterie	1

Standardní příslušenství podléhá změnám bez předchozího upozornění.

DALŠÍ PŘÍSLUŠENSTVÍ (Prodává se zvlášť)

- Akumulátor (BCL1015)



- Pokud se kapalina dostane do kontaktu s vaší pokožkou či oděvem, ihned omyjte čistou vodou jako je voda z vodovodu. Kapalina může způsobit podráždění kůže.
- Zjistíte-li při prvním použití baterie rez, zápach, přehřátí, ztrátu barvy, deformaci a/nebo jinou abnormalitu, nepoužívejte ji a vraťte ji vašemu dodavateli či prodejci.

UPOZORNĚNÍ

Pokud se do koncovky akumulátoru Li-ion dostane elektricky vodivý cizí předmět, může to způsobit zkrat a následně nebezpečí požáru. Při skladování akumulátoru dbejte následujících pokynů.

- Neumísťujte do skladovacího kufříku elektricky vodivé odřezky, hřebíky, ocelové dráty, měděné dráty ani žádné jiné dráty.**
- Akumulátor k uskladnění buď nainstalujte do elektrického nástroje nebo ho opatrně zatlačte do krytu akumulátoru tak, aby byly zakryty větrací otvory z důvodu zamezení zkratům. (Viz. Obr. 1)**

Další příslušenství podléhá změnám bez předchozího upozornění.

POUŽITÍ

- Šroubování a vyšroubování šroubů do železa, vrutů do dřeva, samořezných šroubů apod.

VYJMUTÍ/VÝMĚNA AKUMULÁTORU

- Vyjmutí akumulátoru**
Pevně držte držadlo a zatlačte na zámek akumulátoru, abyste mohli vyjmout akumulátor (Viz. Obr. 1 a 2).

POZOR

- Nikdy nezkratujte akumulátor.
- 2. Instalace akumulátoru**
Vložte akumulátor a dávejte přitom pozor na polaritu (viz. Obr. 2).

NABÍJENÍ

Před použitím elektrického nástroje nabijte akumulátor následujícím způsobem.

- Zapojte napájecí šňůru nabíječky do zásuvky**
- Vložte akumulátor do nabíječky**

Umístěte akumulátor tak, aby tovární štítek směřoval k továrnímu štítku nabíječky, a zatlačte akumulátor, až bude v kontaktu se spodním štítkem (viz Obr. 3). Vložením akumulátoru se nabíječka zapne (rozsvítí se kontrolka).

POZOR

Pokud se indikátorové světlo nerozsvítí, odpojte nabíječku od zdroje a zkontrolujte připojení akumulátoru.

Indikátorové světlo zhasne, když je akumulátor plně nabitý.

POZOR

Indikátorové světlo nabíječky se nemusí rozsvítit hned po použití, pokud je akumulátor zahřátý vlivem přímého slunce apod. Nejprve nechte akumulátor vychladnout a poté začnete nabíjet.

- Doba nabíjení

Tabulce 1 zobrazuje nezbytnou dobu dobíjení dle typu akumulátoru.

Tabulka 1 Doba dobíjení (cca v min) při 20°C

Napětí akumulátoru (V)	Kapacita akumulátoru (Ah)	
		1,5 Ah
10,8 V	BCL1015	40 min

POZNÁMKA: Doba dobíjení se může lišit v závislosti na okolní teplotě.

3. Odpojte nabíječku od zdroje elektrického proudu**4. Pevně držte nabíječku a vytáhněte akumulátor****POZNÁMKA**

Ujistěte se, že jste po použití nabíječky vytáhli akumulátor z nabíječky a uložte jej na bezpečném místě.

Jak zajistit delší trvanlivost akumulátorů.
--

- (1) Dobijte akumulátory před tím, než se plně vybíjí. Cítíte-li, že vrtačka ztrácí energii, přestaňte ji používat a dobijte akumulátor. Pokud budete pokračovat v používání akumulátoru, může dojít k jeho poškození a jeho životnost se sníží.
- (2) Nedobíjejte akumulátor při vysokých teplotách. Okamžitě po použití je akumulátor horký. Pokud je akumulátor nabíjen v takovém stavu, dojde k dekompozici chemické náplně a životnost akumulátoru se sníží. Než akumulátor nabijete, nechte jej před tím vychladnout.

POZOR:

- V případě nepřetržitého používání nabíječky akumulátoru se nabíječka zahřívá a je tak příčinou poruch. Po skončení dobíjení nechte nabíječku před dalším dobíjením 15 minut odpočívat.
- Pokud nabíječka akumulátoru nefunguje, přestože je v ní akumulátor správně upevněn, příčinou je pravděpodobně selhání akumulátoru nebo nabíječky. Veźmte je do autorizovaného servisního střediska.

PŘED POUŽITÍM**1. Příprava a kontrola pracovní plochy**

Zkontrolujte podle výše uvedených upozornění, zda je pracoviště vhodné.

POUŽITÍ**1. Montáž šroubovacího bitu**

Při montáži šroubovacího bitu vždy postupujte následovně. **(Obr. 4)**

- (1) Zatáhněte vodící objímku vpřed.
- (2) Zasuňte hrot do šestihřanného otvoru ve zdirce.
- (3) Uvolněte vodící objímku a ta se vrátí do své původní polohy.

POZOR

Jestliže se vodící objímka nevrátí do své původní polohy, pak není hrot namontován správně.

2. Odstranění hrotu

Provedte prosím opačný postup instalace hrotu.

3. Ujistěte se, že akumulátor je správně nainstalován**4. Zkontrolujte směr otáčení**

Hrot rotuje ve směru hodinových ručiček (z pohledu ze zadu), stlačí-li volbu „R“. Volba „L“ nastaví rotaci proti směru hodinových ručiček (viz. **Obr. 5**) (Značky (R) a (L) jsou na vrtačce).

5. Ovládání spínače

- Stlačí-li se spínač, nástroj rotuje. Uvolní-li se spínač, nástroj se zastaví.
- Otáčky lze kontrolovat stlačením spínače. Otáčky jsou nízké, je-li spínač jenom lehce stlačen. Přitlačí-li se na spínač více, otáčky se zvýší.

POZNÁMKA

- Před tím, než motor nastartuje, se ozve hučení. Jedná se jenom o zvuk a nikoliv o poruchu.

6. Používání světla

Stlačte spínač k rozsvícení světla. Světlo bude svítit, dokud bude spínač stlačený. Po uvolnění spínače světlo zhasne. **(Obr. 6)**

UPOZORNĚNÍ:

Neděvejte se přímo do světla. Mohlo by tak dojít k poškození oka.

7. Utažování a povolování šroubů

Namontujte hrot, který odpovídá šroubu, vyrovnejte hrot v drážkách hlavy šroubu, pak jej utáhněte.

Potlačte rázový šroubovák dostatečně tak, aby hrot zachytil hlavu šroubu.

POZOR

Použití rázového šroubováku po příliš dlouhou dobu způsobí příliš silné utažení šroubu a může způsobit jeho zlomení.

Utažování šroubu pomocí rázového šroubováku pod úhlem vůči šroubu může poškodit hlavu šroubu a na šroub nebude přenášena správná síla.

Utažujte šrouby pomocí tohoto rázového šroubováku tak, aby byl šroubovák se šroubem v jedné přímce.

POKYNY K PROVOZU**1. Přestávka v provozu jednotky po nepřerušované práci**

Po použití jednotky pro nepřerušované utahování šroubů ji nechte na asi 15 minut v klidu při výměně akumulátoru. Teplota motoru, spínače, atd. stoupne, jestliže práci zahájíte ihned po výměně akumulátoru, případně může dojít až k vyhoření.

POZNÁMKA

Nedotýkejte se kovových částí, neboť se během provozu zahřívají na vysokou teplotu.

2. Opatření při použití spínače na regulaci rychlosti

Tento spínač má zabudovaný elektronický obvod, který plynule mění rychlost rotace. Proto jestliže potáhneme tlačítkový spínač pouze jemně (rotace nízkou rychlostí) a motor se při průběžném zašroubovávání šroubů zastaví, součástí elektronického obvodu se mohou přehřát a poškodit.

3. Použití doby utahování vhodné pro šroub

Přiměřený kroticí moment pro šroub se mění podle materiálu a velikosti šroubu a sešroubovávaného materiálu atd., používejte proto dobu utahování vhodnou pro daný šroub. Zvláště v případě dlouhé doby

utahování šroubů menších než M8 je nebezpečí zlomení šroubu, proto si předem ověřte dobu utahování a krouticí moment.

4. Práce s utahovacím momentem vhodným pro rázově utahovaný šroub

Optimální utahovací moment pro matice a šrouby se liší podle materiálu a velikosti matic nebo šroubů. Nadměrně velký utahovací moment pro malý šroub může způsobit roztažení nebo zlomení šroubu. Utahovací moment se zvyšuje úměrně s dobou provozu. Používejte správnou dobu provozu pro daný šroub.

5. Ověření utahovacího momentu

Následující faktory přispívají ke snížení utahovacího momentu. Ověřte si tedy aktuální potřebný utahovací moment před zahájením práce zašroubováním několika šroubů ručním momentovým klíčem. Faktory ovlivňující utahovací moment jsou následující.

(1) Napětí

Jakmile je dosaženo meze výboje, napětí klesá a utahovací moment se snižuje.

(2) Doba provozu

Utahovací moment se zvyšuje se zvyšováním doby provozu. Utahovací moment se však nezvýší nad určitou hodnotu ani tehdy, jestliže je nástroj používán po dlouhou dobu.

(3) Průměr šroubu

Utahovací moment se liší podle průměru šroubu. Obecně lze říci, že šroub s větším průměrem vyžaduje větší utahovací moment.

(4) Podmínky utahování

Utahovací moment se liší podle momentového poměru, třídy a délky šroubů i tehdy, když jsou použity šrouby se stejnou velikostí závitů. Utahovací moment se také liší podle stavu povrchu obrobku, přes který mají být šrouby utahovány. Když se šroub a matice otáčejí spolu, krouticí moment se silně snižuje.

ÚDRŽBA A KONTROLA

1. Kontrola šroubovacího bitu

Použití zlomeného bitu nebo bitu s opotřebovanou špičkou je nebezpečné, protože hrot může klouzat. Vyměňte jej.

2. Kontrola montážních šroubů

Pravidelně kontrolujte montážní šrouby a ujistěte se, že jsou správně utaženy. Ihned utáhněte volné šrouby. Neutažené šrouby mohou vést k vážným úrazům.

3. Údržba motoru

Vinutí jednotky motoru je vlastním „srdcem“ motorem poháněného nástroje.

Věnujte náležitou péči kontrole toho, zda není vinutí poškozené a/nebo navlhle olejem nebo vodou.

4. Údržba povrchu

Pokud je vrták znečištěný, otřete jej měkkým suchým nebo vlhkým hadříkem navlhčeným v mýdlové vodě. Nepoužívejte rozpouštědla s obsahem chlórů, benzínu nebo jiná rozpouštědla, která mohou narušit plast.

5. Skladování

Uskladněte nástroj při teplotách pod 40°C a mimo dosah dětí.

6. Seznam servisních položek

POZOR:

Opravy, modifikace a kontroly zařízení Hitachi musí provádět Autorizované servisní středisko Hitachi.

Tento seznam servisních položek bude užitečný, předložíte-li jej s vaším zařízením Autorizovanému servisnímu středisku Hitachi společně s požadavkem na opravu nebo další servis.

Při obsluze a údržbě elektrických zařízení musí být dodržovány bezpečnostní předpisy a normy platné v každé zemi, kde je výrobek používán.

MODIFIKACE:

Výrobky firmy Hitachi jsou neustále zdokonalovány a modifikovány tak, aby se zavedly nejposlednější výsledky výzkumu a vývoje.

Následně, některé díly mohou být změněny bez předešlého oznámení.

ZÁRUKA

Ručíme za to, že elektrické nářadí Hitachi splňuje zákonné/místně platné předpisy. Tato záruka nezahrnuje závady nebo poškození vzniklé v důsledku nesprávného použití, hrubého zacházení nebo normálního opotřebení. V případě reklamace zašlete prosím elektrické nářadí v nerozebraném stavu společně se ZÁRUKNÍM LISTEM připojeným na konci těchto pokynů pro obsluhu do autorizovaného servisního střediska firmy Hitachi.

POZNÁMKA

Vlivem stále pokračujícího výzkumného a vývojového programu HITACHI mohou zde uvedené parametry podléhat změnám bez předchozího upozornění.

Informace o hluku a vibracích

Měřené hodnoty byly určeny podle EN60745 a deklarovány ve shodě s ISO 4871.

Změřená vážená hladina akustického výkonu A: 103 dB (A)

Změřená vážená hladina akustického tlaku A: 92 dB (A)

Neurčitost KpA: 3 dB (A)

Použijte ochranu sluchu.

Celkové hodnoty vibrací (vektorový součet triax) stanovené dle normy EN60745.

Účinné utahování spojovacích prvků s použitím maximální kapacity přístroje:

Hodnota vibračních emisí a_{rh} = 18,1 m/s²

Nejistota K = 1,5 m/s²

UPOZORNĚNÍ

○ Hodnota vibračních emisí během vlastního používání elektrického přístroje se může od deklarované hodnoty lišit v závislosti na způsobu použití přístroje.

○ Pro identifikaci bezpečnostních opatření k ochraně obsluhy založených na odhadu vystavení vlivům v daných podmínkách použití (v úvahu bereme všechny části pracovního cyklu, jako jsou doby, kdy je přístroj vypnutý, a kdy běží naprázdno připočtených k době spouštění).

GENEL ELEKTRİKLİ ALET GÜVENLİK UYARILARI**⚠ DİKKAT**

Tüm güvenlik uyarılarını ve tüm talimatları okuyun.

Uyarılara ve talimatlara uyulmaması elektrik çarpmasına, yangına ve/veya ciddi yaralanmaya neden olabilir.

Bu kılavuzu gelecekte başvurmak üzere saklayın.

Uyarılarda kullanılan "elektrikli alet" terimi, şebeke elektrifiyle çalışan (kablolu) veya pille çalışan (kablesuz) elektrikli aletinizi belirtir.

1) Çalışma alanının güvenliği

- Çalışma alanı temiz ve iyi aydınlatılmış olmalıdır.**
Dağınık veya karanlık alanlar kazalara davetiye çıkarır.
- Elektrikli aletleri yanıcı sıvı, gaz veya toz patlayıcı maddelerin bulunduğu ortamlarda çalıştırmayın.**
Elektrikli aletlerin çıkardığı kıvılcımlar toz veya gaz halinde bu maddeleri ateşleyebilir.
- Bir elektrikli aletle çalışırken çocukları ve izleyicileri uzaklaştırın.**
Dikkatinizin dağılması kontrolü kaybetmenize neden olabilir.

2) Elektrik güvenliği

- Elektrikli aletin fişi elektrik prizine uygun olmalıdır.**
Fişi herhangi bir şekilde değiştirmeyin.
Topraklanmış elektrikli aletlerle herhangi bir adaptör kullanmayın.
Fişlerde değişiklik yapılmaması ve uygun prizlerde kullanılması elektrik çarpması riskini azaltacaktır.
- Borular, radyatörler, fırınlar ve buzdolapları gibi topraklanmış yüzeylerle gövde temasından kaçının.**
Vücudunuzun toprakla temasa geçmesi halinde elektrik çarpması riski artar.
- Elektrikli aletleri yağmura veya ıslak ortamlara maruz bırakmayın.**
Elektrikli alete su girmesi elektrik çarpması riskini artıracaktır.
- Elektrik kablosuna zarar vermeyin.** Elektrikli aleti taşımak, çekmek veya fişini prizden çıkarmak için kabloyu kullanmayın.
Kablolu ısıdan, yağdan, keskin kenarlardan veya hareketli parçalardan uzak tutun.
Hasar görmüş veya dolaşmış kablolar elektrik çarpması riskini artırır.
- Elektrikli aleti açık alanda kullanırken, açık alanda kullanıma uygun bir uzatma kablosu kullanın.**
Açık alanda kullanıma uygun bir kablo kullanılması elektrik çarpması riskini azaltır.
- Eğer bir elektrikli aletin ıslak bir yerde kullanılması kaçınılmaz ise, artık akım cihazıyla (RCD) korunan bir güç kaynağı kullanın.**
RCD kullanılması elektrik çarpması riskini azaltır.

3) Kişisel emniyet

- Bir elektrikli alet kullanırken daima tetikte olun;** yaptığınız işi izleyin ve sağduyulu davranın.
Aleti yorgunken, alkol veya ilaç etkisi altındayken kullanmayın.
Elektrikli aletleri kullanırken göstereceğiniz bir anlık dikkatsizlik ciddi yaralanmaya sonuçlanabilir.
- Kişisel koruyucu donanım kullanın.** Daima koruyucu gözlük takın.

Uygun koşullar için kullanılan toz maskesi, kaymaz emniyet ayakkabıları, kask veya kulak koruyucu gibi koruyucu ekipmanlar yararlanmaları azaltacaktır.

- Aletin istenmeden çalışmasını engelleyin.** Aleti güç kaynağına ve/veya akü ünitesine bağlamadan, kaldırmadan veya taşımadan önce, güç düğmesinin kapalı konumunda olduğundan emin olun.
Elektrikli aletleri parmağınız güç düğmesinin üzerinde olarak taşımaları veya güç düğmesi açılmış durumda fişini takmanız kazalara davetiye çıkarır.
 - Aletin gücünü açmadan önce alet üzerindeki ayar veya somun anahtarlarını çıkarın.**
Aletin dönen parçalarından birine bağlı kalan bir somun anahtarı veya ayar anahtarı yaralanmaya yol açabilir.
 - Çok fazla yaklaşmayın.** Uygun bir adım mesafesi bırakın ve sürekli olarak dengeni koruyun.
Böylece, beklenmedik durumlarda aleti daha iyi kontrol etmeniz mümkün olur.
 - Uygun şekilde giyinin.** Bol elbiseler giymeyin ve takı eşyaları takmayın. Saçlarınızı, elbiseni ve eldivenlerinizi hareketli parçalardan uzak tutun.
Bol elbiseler, takılar veya uzun saçlar hareketli parçalara takılabilir.
 - Eğer toz çekme ve toplama bağlantıları için gerekli aygıtlar sağlanmışsa, bunların bağlı olduğundan ve doğru şekilde kullanıldığından emin olun.**
Toz toplama kullanımı, tozla ilişkili tehlikeleri azaltabilir.
- 4) Elektrikli aletin kullanımı ve bakımı**
- Elektrikli aleti zorlamayın.** Yapacağınız iş için doğru alet kullanın.
Doğru alet, işinizi daha iyi ve tasarlanmış olduğu hız değerinde daha güvenli şekilde yapacaktır.
 - Elektrikli alet güç düğmesinden açılıp kapanmıyorsa, aleti kullanmayın.**
Güç düğmesiyle kontrol edilemeyen bir alet tehlikelidir ve tamir edilmeden kullanılmamalıdır.
 - Herhangi bir ayar yapmadan, aksesuarları değiştirmeden veya aleti saklamadan önce fişi güç kaynağından ve/veya akü ünitesinden sökün.**
Bu koruyucu güvenlik önlemleri, elektrikli aletin kazayla çalışma riskini azaltır.
 - Atıl durumdaki elektrikli aletleri çocukların ulaşamayacağı bir yerde saklayın ve elektrikli alet ve bu kullanım talimatları hakkında bilgi sahibi olmayan kişilerin aleti kullanmasına izin vermeyin.**
Elektrikli aletler eğitimsiz kullanıcıların elinde tehlikelidir.
 - Elektrikli aletin bakımını yapın.** Hareketli parçalarda yanlış hizalanma veya sıkışma olup olmadığını, kırık parça olup olmadığını ve elektrikli aletin çalışmasını etkileyebilecek diğer koşulları kontrol edin.
Eğer hasar varsa, kullanmadan önce aleti tamir ettirin.
Kazaların çoğu elektrikli aletlere kötü bakım işlemleri uygulanmasından kaynaklanmaktadır.
 - Aletleri keskin ve temiz tutun.**
Uygun şekilde bakımı yapılan, keskin kenarlara sahip aletlerin sıkışma ihtimali daha azdır ve kontrol edilmesi daha kolaydır.

- g) Elektrikli aleti, aksesuarları, uçları, v.b., bu talimatlara uygun şekilde, çalışma koşullarını ve yapılacak işi göz önünde bulundurarak kullanın. Elektrikli aletin amaçlanan kullanımından farklı işlemler için kullanılması tehlikeli bir duruma yol açabilir.
- 5) Akülü aletin kullanımı ve bakımı
- a) Ünitely sadece üretici tarafından belirtilen şarj cihazıyla şarj edin.
Bir akü ünitesi tipi için uygun olan bir şarj cihazı başka tipte bir akü ünitesiyle kullanıldığında yangın riski yaratabilir.
- b) Elektrikli aletleri sadece özellikle belirtilen akü üniteleriyle kullanın.
Başka herhangi bir akü ünitesinin kullanılması yaralanma veya yangın riski yaratabilir.
- c) Akü ünitesini kullanılmadığı zamanlarda atışlardan, madeni paralardan, anahtarlardan, çivilerden, vidalardan veya terminaller arasında bağlantı oluşturabilecek diğer küçük metal nesnelere uzak tutun.
Akü kutuplarının kısa devre olması yanıklara veya yangına neden olabilir.
- d) Yanlış kullanım koşullarında aküden sıvı çıkışı olabilir; temas etmekten kaçının.
Kazayla sıvıya temas edilmiş durumunda suyla yıkayın. Sıvının gözlere temas etmesi halinde, ayrıca bir doktora başvurun.
Aküden fıskıran su tahriş veya yanıklara neden olabilir.

6) Servis

- a) Elektrikli aletinizin servisini sadece orijinal yedek parçaları kullanmak suretiyle uzman bir tamirciye yaptırın.
Böylece, elektrikli aletin güvenli kullanımı sağlanacaktır.

ÖNLEM

- Çocukları ve zayıf kişileri uzak tutun.**
Alet, kullanılmadığı zamanlarda çocukların ve zayıf kişilerin ulaşamayacağı bir yerde saklanmalıdır.

KABLOSUZ DARBELİ VİDALAMA ALETİ İÇİN ÖNLEMLER

1. Bu alet, vidaları sıkıştırmak ve gevşetmek için tasarlanmış taşınabilir bir alettir. Sadece bu işlem için kullanın.
2. Uzun süreli kullanımda kulak tıkaçlarını kullanın.
3. Tek elle çalıştırma son derece tehlikelidir; çalıştırırken aleti her iki elinizle de sıkıca tutun.
4. Tahrik ucunu taktıktan sonra, ucun gevşek olmadığından emin olmak için ucu hafifçe dışarı çekin. Uç düzgün şekilde takılmamışsa çalışma sırasında çıkabilir, bu da tehlikeli olabilir.
5. Vidaya uygun olan ucu kullanın.
6. Vidayı darbeli vidalama aleti vidaya açılı olacak şekilde sıkıştırmak vidanın kafasına hasar verebilir ve vidaya düzgün kuvvet aktarılmaz. Bu darbeli vidalama aleti vidaya düz olarak hizalı olacak şekilde sıkıştırın.
7. Bataryayı her zaman 0 – 40°C sıcaklık aralığında şarj edin. Bataryanın 0 – 40°C aralığı dışında sıcaklıklarda şarj edilmesi uygun şarj işlemini engelleyebilir ve batarya ömrünü azaltabilir.

- Şarj işlemi için en uygun sıcaklık 20°C – 25°C aralığındadır.
8. Şarj işlemi tamamlandıktan sonra, başka bir şarj işlemine başlamadan önce şarj cihazını 15 dakika kadar dinlendirin.
Bataryayı 2 saatten fazla şarj etmeyin.
 9. Şarj edilebilir bataryanın bağlanacağı deliğe yabancı maddelerin girmesine izin vermeyin.
 10. Şarj edilebilir bataryayı ve şarj cihazını asla sökmeyin.
 11. Şarj edilebilir bataryayı asla kısa devre yapmayın. Batarya kısa devre yapılırsa, çok yüksek elektrik akımı ve aşırı ısınma durumu oluşur; bunun sonucu olarak batarya yanabilir veya hasar görebilir.
 12. Bataryayı ateşe atmayın. Batarya yanarsa patlayabilir.
 13. Duvar, zemin veya tavanda delme işlemi yaparken gömülü elektrik kablosu vb. olmadığından emin olun.
 14. Bataryanın şarj edildikten sonraki ömrü kullanılmayacak kadar kısıldığında bataryayı aldığınız yere geri götürün. Ömrü tükenen bataryaları imha etmeyin.
 15. Tükenmiş bataryayı kullanmak, şarj cihazında hasara neden olur.
 16. Şarj cihazının havalandırma yuvalarına hiçbir cisim sokmayın.
Şarj cihazının havalandırma yuvalarına metal veya yanıcı cisimlerin sokulması, elektrik çarpmasına veya şarj cihazının hasar görmesine neden olabilir.

LİTYUM-ION PİLLE İLGİLİ UYARI

Çalışma ömrünü uzatmak için, lityum-iyon pilde çıkışı durdurun bir koruma işlevi mevcuttur. Aşağıda açıklanan 1 ila 3 durumlarındaki, bu ürünü kullanırken anahtarları çekiyor olsanız bile motor durabilir. Bu bir arıza değil koruma işlevinin bir sonucudur.

1. Pil enerjisi tükendiğinde, motor durur.
Böyle bir durumda pili en kısa zamanda şarj edin.
2. Eğer araca fazla yüklenilmişse motor durabilir. Böyle bir durumda aracın anahtarını serbest bırakın ve aşırı yüklemenin sebeplerini ortadan kaldırın. Bunun ardından aracı tekrar kullanabilirsiniz.
3. Eğer akü aşırı iş koşulunda fazla ısınmışsa, akü gücü kesilebilir.
Bu durumda, aküyü kullanmayı keserek soğumasını bekleyin. Soğuduktan sonra, kullanmaya devam edebilirsiniz.

Ayrıca, lütfen aşağıdaki uyarı ve ikazları dikkate alın.

DİKKAT

Herhangi bir batarya sızıntısına, ısı üretilmesine, duman yayılmasına, patlamaya ve erken ateşlemeye meydan vermemek için, lütfen aşağıdaki uyarıları dikkate alın:

1. Batarya üzerinde talaş ve toz birikmediğinden emin olun.
 - Çalışma sırasında batarya üzerine talaş ve toz dökülmediğinden emin olun.
 - Çalışma sırasında elektrikli alet üzerine dökülen talaş ve tozun batarya üzerinde birikmediğinden emin olun.
 - Kullanılmayan bir bataryayı talaşa ve toza maruz kalan bir yerde saklamayın.
 - Bir bataryayı saklamadan önce, üzerine yapılabilecek talaş ve tozu temizleyin ve metal parçalarla (vida, çivi, v.b.) birlikte saklamayın.
2. Bataryayı çivi benzeri keskin nesnelere delmeyin; çekilce vurmayın; üzerine basmayın; atmayın ve şiddetli fiziksel darbeye maruz bırakmayın.

- Açıkça hasarlı veya deforme olduğu görülen bataryayı kullanmayın.
- Bataryayı kutuplarını ters bağlayarak kullanmayın.
- Doğrudan elektrik prizlerine veya çakmak soketlerine bağlamayın.
- Bataryayı belirtilenler dışında herhangi bir amaç için kullanmayın.
- Eğer belirtilen şarj etme süresi geçmesine rağmen batarya tamamen şarj olmuyorsa, derhal şarj işlemi durdurun.
- Doğrudan mikrodalga fırın, kurutucu veya yüksek basınçlı kaplar gibi ortamlardaki yüksek sıcaklık veya basınçlara maruz bırakmayın.
- Sızıntı görülmesi veya kötü koku algılanması durumunda derhal ateşten uzaklaştırın.
- Güçlü statik elektrik üretilen bir yerde kullanmayın.
- Eğer batarya sızıntısı, kötü koku, ısı üretilmesi, renk solması veya deformasyon varsa veya kullanım, şarj işlemi veya saklama sırasında herhangi bir şekilde anormallik görülürse, derhal cihazdan veya batarya şarj cihazından çıkarın ve kullanmayı kesin.

UYARI

- Eğer bataryadan sızan sıvı gözlerinize kaçarsa, gözlerinizi ovuşturmayın; hemen temiz suyla iyice yıkayın ve derhal bir doktora başvurun.

TEKNİK ÖZELLİKLER

ELEKTRİKLİ ALET

Yüksüz hız	0 - 2500 min ⁻¹
Kapasite (Normal somun)	M5-M12
Sıkıştırma torku (Maksimum)	95 N·m
Şarj edilebilir batarya	BCL1015: Li-ion 10,8 V / 12 V Maks (1,5 Ah 3 pil)
Ağırlık	1,0 kg

ŞARJ CİHAZI

Model	UC10SFL
Şarj voltajı	10,8 V
Ağırlık	0,35 kg

STANDART AKSESUARLAR

WH10DFL (2LCSK)	① Plus vidalama ucu (No. 2 × 50L)	1
	② Batarya (BCL1015)	2
	③ Şarj cihazı (UC10SFL)	1
	④ Plastik kutu	1
	⑤ Batarya kapağı	1

Standart aksesuarlarda önceden bildirimde bulunulmadan değişiklik yapılabilir.

- Bataryadan sızan bu sıvı, tedavi uygulanmaması durumunda göz problemlerine neden olabilir.
- Eğer sıvı cildinizle veya elbiselerinizle temas ederse, derhal temiz suyla yıkayın. Sıvı, cilt tahrişine neden olabilir.
- Eğer bataryayı ilk defa kullandığınızda pas, kötü koku, deformasyon ve/veya başka anormallikler saptarsanız, bataryayı kullanmayın ve derhal tedarikçisine veya satıcısına iade edin.

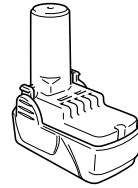
DİKKAT

Eğer lityum iyonlu bataryanın kutuplarına iletken bir yabancı madde girerse, kısa devre oluşarak yangın riskine yol açabilir. Lütfen, bataryayı saklarken aşağıdaki hususlara uyun.

- **Saklama muhafazasına elektriksel olarak iletken kesilmiş parçalar, çiviler, çelik tel, bakır tel veya başka teller koymayın.**
- **Kısa devreyi engellemek için, bataryayı elektrikli alete takın veya havalandırmaya delikleri örtülünceye kadar batarya kapağına emniyetli şekilde bastırarak saklayın. (Şekil 1'ye bakın)**

İSTEĞE BAĞLI AKSESUARLAR (ayrıca satılır)

- Batarya (BCL1015)



İsteğe bağlı aksesuarlarda önceden bildirimde bulunulmadan değişiklik yapılabilir.

UYGULAMALAR

- Makine vidalarının, ahşap vidalarının, kesik başlı vidaların, vb. vidalanması ve sökülmesi.

BATARYANIN ÇIKARILMASI/TAKILMASI

1. Bataryanın çıkarılması

Bataryayı çıkarmak için, aletin kolunu sıkıca tutun ve batarya mandalını itin (Şekil 1 ve 2'ye bakın).

UYARI

Asla bataryayı kısa devre yapmayın.

2. Bataryanın takılması

Bataryayı kutup yönlerine dikkat ederek yerleştirin (Şekil 2'ye bakın).

ŞARJ İŞLEMİ

Elektrikli aleti kullanmadan önce bataryayı aşağıdaki şekilde şarj edin:

1. Şarj cihazının elektrik fişini prize takın

2. Bataryayı şarj cihazına takın

Bataryayı isim plakası şarj cihazının isim plakasına bakacak şekilde yerleştirin ve alt levhaya temas edinceye kadar bastırın (Bkz: Şekil 3).

Pilin takılmasıyla birlikte şarj cihazı çalışmaya başlayacaktır (pilot lamba yanar).

UYARI

Kılavuz lamba yanmazsa, elektrik kablosunun fişini prizden çekin ve bataryanın düzgün takılıp takılmadığını kontrol edin.

Batarya tam olarak şarj olduğunda kılavuz lamba söner.

UYARI

Doğrudan güneş ışığına maruz kalmak gibi nedenlerden dolayı batarya aşırı ısınır veya çalıştırmadan hemen sonra, şarj cihazının kılavuz lambası yanmayabilir. Böyle bir durumda şarj işlemine bataryanın soğumasını sağladıktan sonra başlayın.

○ Şarj süresiyle ilgili olarak

Tablo 1'de, batarya türüne göre gereken şarj olma süreleri gösterilmiştir.

Tablo 1 20°C de şarj olma süresi (yaklaşık dakika olarak)

Batarya gerilimi (V)	Batarya kapasitesi (Ah)	
	10,8 V	BCL1015

NOT: Şarj olma süresi ortam sıcaklığına bağlı olarak değişebilir.

3. Şarj cihazının elektrik kablosunu prizden çekin

4. Şarj cihazını sıkıca tutarak bataryayı çekerek çıkarın

NOT

Kullanımdan sonra bataryayı şarj cihazından çıkardığınızdan emin olun.

Bataryaların ömrü nasıl uzatılır?

(1) Bataryaları tamamen boşalmadan şarj edin.

Aletin gücünün zayıfladığını hissederseniz, aleti kullanmaya ara verin ve bataryalarını şarj edin. Eğer aleti kullanmaya devam eder ve elektrik akımının bitmesine neden olursanız, batarya hasar görebilir ve ömrü kısılır.

(2) Yüksek sıcaklıklarda şarj etmekten kaçının.

Şarj edilebilir batarya kullanıldıktan hemen sonra ısınmış olacaktır. Bataryayı kullanımdan hemen sonra şarj ederseniz, içindeki kimyasal madde bozulur ve bataryanın ömrü kısılır. Bataryayı bekletin ve bir süre soğuduktan sonra şarj edin.

UYARI:

○ Batarya şarj cihazı sürekli kullanıldığında ısınır ve arızalara neden olur. Şarj işlemi tamamlandığında, bir sonraki şarj için 15 dakika bekleyin.

○ Batarya düzgün takılmasına rağmen şarj cihazı çalışmıyorsa, batarya ya da şarj cihazı arızalı olabilir. Arızalı parçayı yetkili Servis Merkezine götürün.

KULLANIM ÖNCESİNDE

1. Çalışma ortamının hazırlanması ve kontrol edilmesi

Yukarıdaki uyarıları takip ederek çalışma ortamının uygun olup olmadığını kontrol edin.

NASIL KULLANILIR

1. Ucuun takılması

Tahrik ucunu takmak için daima aşağıdaki işlemi kullanın (Şekil 4).

(1) Kılavuz segmanı öne çekin.

(2) Ucu soketteki altıgen deliğe yerleştirin.

(3) Kılavuz segmanı serbest bırakın, orijinal konumuna geri dönecektir.

UYARI

Kılavuz segman orijinal konumuna geri dönmezse, uç düzgün takılmamış demektir.

2. Ucuun çıkarılması

Lütfen, uç takma yöntemini ters sırayla uygulayın.

3. Bataryanın doğru şekilde takılmış olduğundan emin olun

4. Dönüş yönünü kontrol edin

Seçim düğmesinin R tarafına basıldığında, uç saat yönünde (arka taraftan bakarken) döner. Ucu saatin ters yönünde döndürmek için seçim düğmesinin L tarafına basın (Şekil 5'a bakın) (R) ve (L) işaretleri gövdenin üzerinde yer alır).

5. Şalteri açarak çalıştırın

○ Şalterin tetiğine basıldığında, alet dönmeye başlar. Tetik bırakıldığında alet durur.

○ Matkabın dönüş hızı, tetiğin basılma oranıyla ayarlanır.

Tetiğe az basıldığında matkap düşük hızda çalışırken, tetiğe daha çok basıldıkça matkabın hızı artar.

NOT

○ Dönmeye başlamadan önce motordan bir vınlıt sesi gelir; bu yalnızca bir sestir, bir makine arızası değildir.

6. İşğin kullanımı

Lambayı yakmak için tetiği çekin. Tetik çekili tutulduğu sürece lamba yanmaya devam eder. Tetik serbest bırakıldığında lamba söner. (Şekil 6)

UYARI:

İşığa doğrudan bakmayın. Aksi takdirde, gözde yaralanmalar meydana gelebilir.

7. Vidaların sıkıştırılması ve gevşetilmesi

Vidaya uyan ucu takın, ucu vida başının yivlerine hizalayın, ardından sıkıştırın.

Darbeli vidalama aletini, ucu vidanın kafasında tutmaya tam yetecek kadar itin.

UYARI

Darbeli vidalama aletinin çok uzun süre uygulanması vidayı çok fazla sıkıştırarak kırılmasına neden olabilir. Vidayı, darbeli vidalama aleti vidaya açılı olacak şekilde sıkıştırmak vidanın başına zarar verebilir ve vidaya düzgün kuvvet aktarılmayacaktır.

Bu darbeli vidalama aleti vidayla düz hizalı olarak sıkıştırın.

ÇALIŞMAYLA İLGİLİ ÖNLEMLER

1. Sürekli çalışmadan sonra aleti dinlendirme

Somun sıkıştırma için sürekli kullanımdan sonra bataryayı değiştirirseniz 15 dakika kadar dinlendirin. Batarya değiştirildikten hemen sonra işe devam edilirse motorun, şalterin vs. sıcaklığı yükselecek ve motorun yanmasına neden olabilecektir.

NOT

Sürekli çalışma sırasında çok ısınacaklarından, metal parçaları dokunmayın.

2. **Hız kontrol şalterinin kullanımı konusunda önlemler**
Bu şalterde, dönüş hızını kademesiz olarak değiştiren dahili bir elektronik devre vardır. Dolayısıyla, tetikleme şalteri sadece hafifçe çekilip (düşük hızlı dönme) vida takarken motor durdurulursa, elektronik devrenin parçaları aşırı ısınarak hasar görebilir.
3. **Vidaya uygun bir sıkıştırma süresi kullanın**
Bir vidaya uygun tork vidanın malzemesi ve boyutuna ve vidalanan malzemeye göre farklılık gösterir bu nedenle vidaya uygun bir sıkıştırma süresi kullanın. Özellikle, M8'den küçük vidalar için uzun bir sıkıştırma süresi kullanılırsa vidanın kırılma tehlikesi olduğundan, sıkıştırma süresi ve sıkıştırma torkunu önceden doğrulayın.
4. **Darbe altındaki somuna uygun bir sıkıştırma torkunda çalışın**
Somun ve civatalar için optimum sıkıştırma torku somun veya civatanın malzemesi ve boyutuna göre farklılık gösterir. Küçük bir somun için aşırı büyük bir sıkıştırma torkunun kullanılması somunu esnetebilir veya kırabilir. Sıkıştırma torku çalıştırma süresiyle orantılı olarak artar. Somun için doğru süreyi kullanın.
5. **Sıkıştırma torkunu teyit edin**

Aşağıdaki faktörler sıkıştırma torkunun azalmasına katkıda bulunur. Bu nedenle, gereken sıkıştırma torkunu işe başlamadan önce birkaç somunu bir el anahtarıyla sıkıştırarak teyit edin. Sıkıştırma torkunu etkileyen faktörler aşağıdaki gibidir.

- (1) Voltaj
Boşalma marjına ulaşıldığında voltaj azalır ve sıkıştırma torku azalır.
- (2) Çalışma süresi
Çalışma süresi arttıkça sıkıştırma torku artar. Ancak, alet çok uzun bir süre kullanılsa da sıkıştırma torku belli bir değerini üzerine çıkmaz.
- (3) Somunun çapı
Sıkıştırma torku somunun çapına göre farklılık gösterir. Genel olarak daha büyük çaplı bir somun için daha yüksek bir sıkıştırma torku gerekir.
- (4) Sıkıştırma koşulları
Aynı boyutta dışı somunlar kullanıldığında bile sıkıştırma torku, tork oranına, somun sınıfı ve uzunluğuna göre farklılık gösterir. Sıkıştırma torku ayrıca, somunların sıkıştırılacağı çalışma yüzeyinin durumuna göre de farklılık gösterir. Somun ve civata birlikte döndüğünde tork büyük ölçüde azalır.

BAKIM VE İNCELEME**1. Tahrik ucunun incelenmesi**

Kırk veya ucu yıpranmış bir ucun kullanılması, ucun kayma riski nedeniyle tehlikelidir. Ucu değiştirin.

2. Montaj vidalarının incelenmesi

Tüm montaj vidalarını düzenli olarak inceleyin ve sağlam şekilde sıkılı olduğundan emin olun. Gevşeyen vidaları derhal sıkın. Gevşemiş vidalar ciddi tehlikelere yol açabilir.

3. Motorun bakımı

Motorun sargısı aletin "kalbidir".

Sargının hasar görmesi veya yağ ya da suyla ıslanmaması için gerekli özeni gösterin.

4. Aletin dışının temizlenmesi

Vidalama aleti/matkap kirlendiğinde, yumuşak kuru bir bezle veya sabunlu suyla nemlendirilmiş bir bezle aleti silin. Plastik kısımları eritebileceği için, klorlu çözeltiler, benzin veya boya incelticisi (tiner) kullanmayın.

5. Muhafaza

Vidalama aletini/matkabı sıcaklığın 40°C'nin altında olduğu ve çocukların erişemeyeceği bir yerde muhafaza edin.

6. Servis parçaları listesi**DİKKAT**

Hitachi Güç Takımlarının onarımı, modifikasyonu ve gözden geçirilmesi Hitachi yetkili Servis Merkezi tarafından yapılmalıdır.

Hitachi yetkili Servis Merkezine tamir ya da bakım amacıyla başvurulduğunda Parça Listesinin takım ile birlikte verilmesi faydalı olacaktır.

Güç takımlarının çalıştırılması ve bakımlarının yapılması esnasında her ülke için belirlenen güvenlik düzenlemelerine ve standartlarına uyulması gerekmektedir.

DEĞİŞİKLİKLER

Hitachi Ağır İş Aletleri en son teknolojik ilerlemelere uygun olarak sürekli değiştirilmekte ve geliştirilmektedir. Dolayısıyla, bazı kısımlarda önceden bildirimde bulunulmadan değişiklik yapılabilir.

GARANTİ

Hitachi Elektrikli El Aletlerine ülkelere özgü hukuki düzenlemeler çerçevesinde garanti vermektir. Bu garanti, yanlış veya kötü kullanım, normal aşınma ve yıpranmadan kaynaklanan arıza ve hasarları kapsamamaktadır. Şikayet durumunda, Elektrikli El Aleti, sökülmemiş bir şekilde, bu kullanım kılavuzunun sonunda bulunan GARANTİ BELGESİYLE birlikte bir Hitachi yetkili servis merkezine gönderilmelidir.

NOT

HITACHI'nin süregelen araştırma ve geliştirme programına bağlı olarak burada belirtilen teknik özelliklerde önceden bildirimde bulunulmadan değişiklik yapılabilir.

Havadan yayılan gürültü ve titreşimle ilgili bilgiler

Ölçülen değerlerin EN60745 ve ISO 4871'e uygun olduğu tespit edilmiştir.

Ölçülmüş A-ağırlıklı ses gücü seviyesi: 103 dB (A)

Ölçülmüş A-ağırlıklı ses basınç seviyesi: 92 dB (A)

Belirsiz Kpa: 3dB (A)

Kulak koruma cihazı takın.

EN60745'e göre belirlenen toplam vibrasyon değerleri (üç eksenli vektör toplamı).

Aletin maksimum kapasitesinin kullanımıyla bağlantı elemanlarının darbe sıkıştırması:

Vibrasyon emisyon değeri **ah** = 18,1 m/s²

Belirsizlik K = 1,5 m/s²

DİKKAT

- Elektrikli aletin kullanımı sırasında vibrasyon emisyonu aletin kullanma şekline bağı olarak belirtilen değerden farklılık gösterebilir.
- Gerçek kullanım koşullarında tahmini maruz kalma hesabını esas alarak (kullanım süresine ilave olarak aletin kapatıldığı ve rölantide çalıştığı zamanlarda çalışma çevriminde yer alan tüm parçaları dikkate almak suretiyle) operatörü korumak için gerekli güvenlik önlemlerini belirlemek için.

AVERTISMENTE GENERALE PRIVIND SIGURANȚA ÎN FOLOSIREA SCULEI ELECTRICE

⚠ AVERTISMENT

Citiți toate avertismentele privind siguranța și toate instrucțiunile.

Nerespectarea avertismentelor și a instrucțiunilor poate avea ca efect producerea de șocuri electrice, incendii și/sau vătămări grave.

Păstrați toate avertismentele și toate instrucțiunile, pentru a le putea consulta pe viitor.

Termenul "sculă electrică" prezent în toate avertismentele de mai jos se referă la scula dumneavoastră electrică alimentată la priză (cu cablu de alimentare) sau la scula electrică alimentată de acumulatori (fără cablu de alimentare).

1) Siguranța a Ținerea a zonă de lucru

- Păstrați zona de lucru curată și bine luminată.**
Zonele de lucru dezordonate și întunecate predisun la accidente.
- Nu utilizați sculele electrice în atmosferă explozivă, cum ar fi în prezența lichidelor, gazelor sau a prafurilor inflamabile.**
Sculele electrice produc scânteii care pot aprinde praful sau aburii.
- Țineți copiii sau privitorii la distanță în timp ce utilizați scula electrică.**
Distragerea atenției vă poate face să pierdeți controlul asupra sculei.

2) Siguranța din punct de vedere electric

- Ștecărele sculelor electrice trebuie să se potrivească în prizele în care sunt introduse. Nu modificați niciodată ștecărul în nici un fel. Nu folosiți niciun fel de adaptare pentru ștecăr la sculele electrice cu împământare (legate la pământ).**
Ștecărele nemodificate și prizele potrivite reduc riscul de șoc electric.
- Evitați contactul corpului cu suprafețele legate la pământ, cum ar fi conductele, radiatoarele, cuptoarele și frigiderale.**
În cazul în care corpul dvs. este legat la pământ există un risc crescut de electrocutare.
- Nu expuneți sculele electrice la ploaie și nu le lăsați în atmosferă umedă.**
Intrarea apei într-o sculă electrică mărește riscul de electrocutare.
- Nu forțați cablul de alimentare. Nu folosiți niciodată cablul de alimentare pentru a transporta, a trage sau a scoate scula electrică din priză. Țineți cablul de alimentare departe de căldură, ulei, muchi ascuțiți și de piese în mișcare. Cablurile de alimentare deteriorate sau încolăcite măresc riscul de șoc electric.**
- Atunci când folosiți o sculă electrică în aer liber, folosiți un prelungitor adecvat pentru utilizarea în exterior.**
Folosirea unui prelungitor adecvat pentru exterior reduce riscul de șoc electric.
- Dacă utilizarea într-o zonă umedă nu poate fi evitată, folosiți o sursă de alimentare cu întrerupător de protecție la curent rezidual (RCD). Folosirea dispozitivelor RCD reduce riscul producerii șocurilor electrice.**

3) Siguranța personală

- Atunci când folosiți o sculă electrică fiți vigilent, fiți atent la ceea ce faceți și acționați conform bunului simț.**
Nu folosiți scule electrice atunci când sunteți obosit sau vă aflați sub influența drogurilor, a alcoolului sau a medicamentelor.
Un moment de neatenție în timpul utilizării unei scule electrice poate provoca vătămări personale grave.
- Folosiți echipament personal de protecție. Purtați întotdeauna protecție a ochilor.**
Echipamentele de protecție cum ar fi măștile pentru praf, încălțăminte anti-alunecare, căștile și protecțiile auditive, folosite în situațiile corespunzătoare, reduc vătămările personale.
- Evitați pornirea accidentală. Înainte de a conecta scula la priză și/sau la bateria de acumulatori și înainte de a ridica sau transporta scula, asigurați-vă că aveți comutatorul de pornire pe poziția oprit.**
Transportarea sculelor electrice cu degetul pe comutator sau introducerea în priză a sculelor electrice care au comutatorul pe poziția pornit sunt situații ce predisun la accidente.
- Înainte de a pune scula electrică în funcțiune, îndepărtați toate cheile de reglare și orice alte chei.**
O cheie sau o cheie de reglare rămase atașate de piesa rotativă a sculei electrice poate provoca vătămări personale.
- Nu încercați să ajungeți prea departe. Mențineți permanent un contact corect al piciorului și un bun echilibru.**
Acest lucru permite un mai bun control al sculei electrice în situații neașteptate.
- Îmbrăcați-vă adecvat. Nu purtați haine largi și nici bijuterii. Țineți-vă părul, hainele și mănușile departe de piesele în mișcare.**
Hainele largi, bijuteriile și pot fi prinse în piesele în mișcare.
- Dacă sunt prevăzute dispozitive de conectare la facilități de extragere și colectare a prafului, asigurați-vă că acestea sunt conectate și sunt folosite corespunzător.**
Folosirea acestor dispozitive poate reduce pericolele legate de praf.

4) Utilizarea și îngrijirea sculei electrice

- Nu forțați scula electrică. Folosiți scula adecvată pentru aplicația dvs.**
Scula potrivită va face treabă mai bună și mai sigură la parametrii la care a fost proiectată.
- Nu folosiți scula electrică în cazul în care comutatorul nu își îndeplinește funcția de pornire și oprire.**
Sculele electrice care nu pot fi comandate prin intermediul comutatorului sunt periculoase și trebuie reparate.
- Înainte de a face orice fel de reglaje, de a schimba accesoriile și de a depozita sculele electrice, scoateți ștecărul din priză și/sau de la bateria de acumulatori.**
Aceste măsuri preventive de siguranță reduc riscul pornirii accidentale a sculei electrice.

- d) Depozitați sculele electrice neutilizate departe de zona de acțiune a copiilor și nu lăsați persoanele care nu sunt familiarizate cu scula electrică sau cu prezentele instrucțiuni să folosească scula electrică.

Sculele electrice sunt periculoase în mâinile utilizatorilor neinstruiți.

- e) **Întrețineți sculele electrice. Verificați alinierea și prinderea pieselor în mișcare, ruperea pieselor precum și toate celelalte aspecte care ar putea să influențeze funcționarea sculelor electrice. Dacă scula electrică este deteriorată, înainte de a o utiliza duceți-o la reparat.**

Multe accidente sunt provocate de scule electrice necorespunzător întreținute.

- f) **Păstrați elementele de tăiere curate și ascuțite. Elementele de tăiere bine întreținute și cu muchiile tăietoare bine ascuțite sunt mai ușor de controlat și este mai puțin probabil să se agațe.**

- g) **Folosiți scula electrică, accesoriile și vârful etc. în conformitate cu prezentele instrucțiuni, luând în considerare condițiile de lucru și operațiunile ce urmează a fi efectuate.**

Folosirea sculei electrice pentru alte operațiuni decât cele prevăzute poate avea ca efect apariția unor situații periculoase.

5) Utilizarea și întreținerea sculelor cu acumulatori

- a) **Încărcați numai cu încărcătorul indicat de producător.**

Un încărcător adecvat unui anumit tip de pachet de acumulatori poate prezenta pericol de incendiu dacă este folosit pentru încărcarea altui tip de pachet de acumulatori.

- b) **Folosiți sculele electrice exclusiv cu tipurile de pachete de acumulatori indicate.**

Folosirea unui alt tip de pachet de acumulatori poate provoca vătămări sau incendii.

- c) **Atunci când pachetul de acumulatori nu este folosit, țineți-l departe de obiecte metalice cum ar fi agrafe de birou, monede, chei, cuie, șuruburi sau alte obiecte metalice mici care ar putea realiza conectarea terminalelor pachetului de acumulatori. Scurtcircuitarea terminalelor acumulatorilor poate provoca arsuri sau incendii.**

- d) **În cazul exploatării abuzive, din acumulatori poate ieși lichid; evitați contactul cu acest lichid. În cazul unui contact accidental, spălați cu apă. În cazul contactului cu ochii, consultați un medic.**

Lichidul care iese din acumulatori poate provoca iritații sau arsuri.

6) Service

- a) **Scula electrică trebuie reparată de o persoană calificată, folosind numai piese de schimb identice.**

Astfel se asigură menținerea siguranței sculei electrice.

PRECAUȚIE

Țineți copiii și persoanele infirme la distanță.

Atunci când nu este folosită, scula electrică trebuie depozitată departe de zona de acțiune a copiilor și a persoanelor infirme.

PRECAUȚII PRIVIND MAȘINA DE ÎNȘURUBAT CU IMPACT CU ACUMULATOR

1. Acesta este un aparat portabil pentru strângerea și slăbirea șuruburilor. Folosiți-l exclusiv pentru aceste operațiuni.
2. Folosiți protecția auditivă în cazul utilizării aparatului pe perioade lungi.
3. Utilizarea cu o singură mână este foarte periculoasă; în timpul utilizării țineți aparatul ferm cu ambele mâini.
4. După montarea vârfului de șurubelniță, trageți ușor de vârf pentru a vă asigura că acesta nu este slăbit. Dacă vârful nu este montat corect, acesta se poate slăbi în timpul utilizării, ceea ce poate fi periculos.
5. Folosiți vârful corespunzător șurubului.
6. Dacă atunci când strângeți un șurub țineți mașina de înșurubat cu impact înclinată față de șurub puteți deteriora capul șurubului iar forța nu se va transmite corect către șurub. Folosiți această mașină de înșurubat cu impact în poziție perpendiculară pe șurub.
7. Schimbați întotdeauna acumulatorul la o temperatură de 0 - 40°C. Încărcarea acumulatorului la temperaturi în afara domeniului 0 - 40°C poate avea ca efect încărcarea necorespunzătoare a acumulatorului și poate duce la scurtarea duratei de viață a acestuia. Temperatura optimă pentru încărcare este de 20 - 25°C.
8. După terminarea încărcării, lăsați încărcătorul nefolosit timp de 15 minute înainte de a încărca următorul acumulator.
Nu încărcați acumulatorul mai mult de 2 ore.
9. Nu lăsați materiale străine să intre în orificiul pentru conectarea acumulatorului.
10. Nu demontați niciodată acumulatorul și nici încărcătorul.
11. Nu scurtcircuitați acumulatorul. Scurtcircuitarea acumulatorului produce un curent electric foarte mare și produce supraîncălzirea acumulatorului. Rezultatul este arderea sau deteriorarea acumulatorului.
12. Nu aruncați acumulatorul în foc. Dacă acumulatorul arde acesta poate exploda.
13. Atunci când găuriți ziduri, podele sau tavane, verificați existența cablurilor electrice îngropate etc.
14. Imediat ce constatați că durata de utilizare după încărcare devine prea scurtă pentru utilizări practice, duceți acumulatorul la magazinul de la care l-ați cumpărat. Nu aruncați acumulatorii consumați.
15. Utilizarea unui acumulator consumat duce la deteriorarea încărcătorului.
16. Nu introduceți obiecte în fantele de ventilație ale încărcătorului. Introducerea de obiecte metalice sau inflamabile în fantele de ventilație ale încărcătorului duce la apariția pericolului de electrocutare sau de deteriorare a încărcătorului.

PRECAUȚII REFERITOARE LA ACUMULATORUL LITIU-ION

Pentru prelungirea duratei de viață, acumulatorul litiu-ion este echipat cu o protecție pentru oprirea furnizării de energie. În situațiile 1 la 3 descrise mai jos, atunci când folosiți aparatul, chiar dacă acționați declanșatorul motorului se poate opri. Aceasta nu este o defecțiune, ci un rezultat al funcției de protecție.

1. Atunci când acumulatorul este descărcat motorul se oprește.
În această situație încărcați imediat acumulatorul.

- În situația suprasolicitării aparatului motorul se poate opri. În această situație, eliberați comutatorul și îndepărtați cauza suprasolicitării. După aceasta, puteți folosi din nou aparatul.
 - În situația supraîncălzirii acumulatorului în timpul lucrului, alimentarea aparatului de la acumulator se poate întrerupe.
În această situație, încetați să mai utilizați acumulatorul și lăsați-l să se răcească. După aceasta, îl puteți utiliza din nou.
- Mai mult, vă rugăm să acordați atenție următoarelor avertismente și indicații privind precauția.

AVERTISMENT

Pentru a împiedica apariția la acumulator a scurgerilor, generării de căldură, emisiilor de fum, exploziei și aprinderii, vă rugăm să respectați următoarele măsuri de precauție.

- Asigurați-vă că pe acumulator nu se strânge șpan/pilitură și nici praf.
 - În timpul lucrului, asigurați-vă că pe acumulator nu cade șpan/pilitură și nici praf.
 - Asigurați-vă că șpanul/pilitura și praful care cad pe scula electrică în timpul lucrului nu se strâng pe acumulator.
 - Nu depozitați un acumulator nefolosit într-un loc expus la șpan/pilitură și la praf.
 - Înainte de a depozita un acumulator, îndepărtați de pe acesta toate urmele de șpan/pilitură și de praf și nu depozitați acumulatorul împreună cu piese metalice (șuruburi, cuie etc.).
- Nu găuriți acumulatorul cu obiecte ascuțite cum ar fi cuiele, nu îl loviți cu ciocanul, nu călcați pe el, nu îl aruncați și nu îl supuneți unor șocuri fizice puternice.
- Nu utilizați un acumulator care pare deteriorat sau care este deformat.
- Nu folosiți acumulatorul cu polaritatea inversată.
- Nu îl conectați direct la sursele de energie electrică sau la brichetele electrice ale mașinilor.
- Nu folosiți acumulatorul în alte scopuri decât cele indicate.
- În cazul în care acumulatorul nu se încarcă după trecerea timpului de încărcare specificat, încetați imediat să îl mai încărcați.

- Nu expuneți acumulatorul la temperaturi sau presiuni ridicate, de exemplu nu îl introduceți într-un cuptor cu microunde, într-un uscător sau într-un container presurizat.
- Țineți-l departe de flacără imediat ce observați scurgeri sau mirosuri neplăcute.
- Nu îl folosiți în locuri în care se generează o puternică electricitate statică.
- În cazul în care observați la acumulator scurgeri, mirosuri neplăcute, generare de căldură, decolorări sau deformări, scoateți-l imediat din echipament sau din încărcător și încetați să îl mai utilizați.

PRECAUȚIE

- În cazul în care lichidul ce se scurge din acumulator intră în contact cu ochii, nu vă frecăți la ochi și spălați-i bine cu apă proaspătă curată cum ar fi apa de la robinet și consultați imediat un medic.
În cazul în care nu faceți tratament, lichidul poate provoca probleme oculare.
- În cazul în care lichidul se scurge pe piele sau pe haine, imediat spălați bine cu apă proaspătă curată, cum ar fi apa de la robinet.
Există posibilitatea ca acest lucru să provoace iritarea pielii.
- În cazul în care la prima utilizare a acumulatorului detectați mirosuri neplăcute, supraîncălzire, dacă observați rugină, decolorare, deformare și/sau alte nereguli, nu folosiți acumulatorul și înapoiți-l furnizorului sau vânzătorului.

AVERTISMENT

Dacă un obiect străin conductor de electricitate intră la terminalele acumulatorului litiu-ion, se poate produce un scurtcircuit care poate avea ca urmări apariția unui incendiu. La depozitarea acumulatorului vă rugăm să respectați următoarele instrucțiuni.

- Nu puneți în cutia de depozitare obiecte conductoare de electricitate cum ar fi elemente tăietoare, cuie, cabluri din oțel, cabluri din cupru sau alte cabluri.**
- Fie montați acumulatorul în scula electrică fie îl depozitați în carcasa acumulatorului în așa fel încât orificiile de ventilare să fie acoperite pentru a preveni apariția scurtcircuitelor. (Vezi Fig. 1)**

SPECIFICAȚII

SCULĂ ELECTRICĂ

Viteză fără sarcină	0 - 2500 min ⁻¹
Capacitate (Șurub obișnuit)	M5 - M12
Cuplu de strângere (Maxim)	95 N·m
Acumulator	BCL1015: Li-ion 10,8 V / Punct maxim 12 V (1,5 Ah 3 celule)
Greutate	1,0 kg

ÎNCĂRCĂTOR

Model	UC10SFL
Tensiunea de încărcare	10,8 V
Greutate	0,35 kg

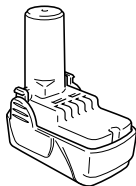
ACCESORII STANDARD

WH10DFL (2LCSK)	① Capăt de șurubelniță Plus (No. 2 × 50L) ...	1
	② Acumulator (BCL1015)	2
	③ Încărcător (UC10SFL)	1
	④ Carcasă din plastic	1
	⑤ Apărătoarea acumulatorului	1

Accesoriile standard pot fi schimbate fără notificare prealabilă.

ACCESORII OPȚIONALE (SE VÂND SEPARAT)

1. Acumulator (BCL1015)



Accesoriile standard pot fi schimbate fără notificare prealabilă.

UTILIZĂRI

- Înșurubarea și deșurubarea șuruburilor obișnuite, șuruburilor pentru lemn, șuruburi autofiletante etc.

SCOATEREA/MONTAREA ACUMULATORULUI**1. Scoaterea acumulatorului**

Țineți bine mânerul și împingeți elementul de blocare a acumulatorului pentru a scoate acumulatorul (vezi Fig. 1 și 2).

PRECAUȚIE

Nu scurtcircuitați niciodată acumulatorul.

2. Montarea acumulatorului

Introduceți acumulatorul cu respectarea polarității (vezi Fig. 2).

ÎNCĂRCARE

Înainte de a folosi scula electrică, încărcați acumulatorul după cum urmează.

1. Introduceți cablul de alimentare al încărcătorului în priză**2. Introduceți acumulatorul în încărcător**

Așezați acumulatorul în așa fel încât plăcuța sa cu specificații să fie îndreptată spre plăcuța cu specificații a încărcătorului și apoi apăsați acumulatorul până când acesta intră în contact cu placa inferioară (vezi Fig. 3).

După introducerea acumulatorului, încărcătorul va începe să funcționeze (lampa pilot se aprinde).

PRECAUȚIE

Dacă lampa pilot nu se aprinde, scoateți cablul de alimentare din priză și verificați modul de montare a acumulatorului.

La încărcarea completă a acumulatorului, lampa pilot se stinge.

PRECAUȚIE

Dacă acumulatorul este cald datorită expunerii la soare etc., imediat după utilizare, este posibil ca lampa pilot a încărcătorului să nu se aprindă. În această situație lăsați mai întâi acumulatorul să se răcească și apoi începeți încărcarea.

- Legat de timpul de încărcare

În **Tablel 1** sunt prezentați timpii de încărcare în funcție de tipul de acumulator.

Tablel 1 Timp de încărcare (min. aprox.) la 20°C

Tensiunea acumulatorului (V)	Capacitatea acumulatorului (Ah)	
	1,5 Ah	
10,8 V	BCL1015	40 min

NOTĂ: Timpul de încărcare poate varia în funcție de temperatura ambiantă.

3. Scoateți cablul de alimentare al încărcătorului din priză**4. Țineți bine de încărcător și scoateți acumulatorul****NOTĂ**

După utilizarea scoateți acumulatorul din încărcător și păstrați-l.

Cum mărim durata de viață a acumulatorilor.

- (1) Încărcați acumulatorii înainte de descărcarea lor completă. Când observați că forța sculei electrice slăbește, încetați să o mai utilizați și încărcați acumulatorul. În cazul în care continuați să folosiți scula electrică și acumulatorul se descarcă, acumulatorul se poate deteriora iar durata sa de funcționare se poate scurta.

- (2) Evitați încărcarea la temperaturi ridicate.

Acumulatorii sunt fierbinți imediat după utilizare. Dacă acești acumulatori sunt încărcăți imediat după utilizare, substanțele chimice din interior se pot deteriora iar durata de viață a acumulatorului va scădea. Lăsați acumulatorul să se răcească un timp înainte de încărcare.

PRECAUȚIE

- Atunci când încărcătorul a fost folosit în mod continuu, acesta se poate încălzi, ceea ce poate duce la defecțiuni. După finalizarea unei încărcări, faceți o pauză de aproximativ 15 minute înainte de a încărca următorul acumulator.
- Dacă încărcătorul nu funcționează având acumulatorul montat corect, probabil că încărcătorul s-a defectat. Duceți-l la o unitate service autorizată.

ÎNAINTE DE UTILIZARE**1. Aranjarea și verificarea mediului de lucru**

Verificați dacă mediul de lucru este adecvat respectând indicațiile de mai sus privind precauția.

MODUL DE UTILIZARE**1. Montarea vârfului**

La montarea vârfului de șurubelniță respectați întotdeauna următoarea procedură. (Fig. 4)

- (1) Trageți manșonul de ghidare spre înainte.
- (2) Introduceți vârful în locașul hexagonal din mandrină.
- (3) Eliberați manșonul de ghidare, acesta revenind în poziția inițială.

PRECAUȚIE:

Dacă manșonul de ghidare nu revine în poziția inițială înseamnă că vârful nu a fost montat corespunzător.

2. Scoaterea vârfului

Pentru scoaterea vârfului vă rugăm să parcurgeți procedura anterioară în sens invers.

3. Verificați dacă acumulatorul este montat corect**4. Verificarea direcției de rotație**

Atunci când butonul selector este în zona R, capătul se rotește în sensul acelor de ceasornic (privind din spate).

Pentru ca rotirea capătului să se facă în sens invers acelor de ceasornic, butonul selector trebuie deplasat în zona L (Vezi Fig. 5) (Semnele (R) și (L) sunt marcate pe corpul aparatului).

5. Funcționarea butonului declanșator

- La apăsarea butonului declanșator, mandrina aparatului începe să se rotească. La eliberarea butonului declanșator, mișcarea de rotație a mandrinei încetează.
- Viteza de rotație a mandrinei poate fi controlată prin gradul de apăsare pe butonul declanșator. Atunci când butonul declanșator este acționat ușor, viteza de rotație este scăzută și crește pe măsură ce crește apăsarea pe butonul declanșator.

NOTĂ

- Înainte ca motorul să înceapă să se rotească se produce un ușor băzâit. Acesta este doar un zgomot, nu o defecțiune a aparatului.

6. Folosirea lămpii

Trageți comutatorul de acționare pentru a aprinde lampa. Lampa rămâne aprinsă în timp ce comutatorul este acționat. Lampa se stinge după eliberarea comutatorului de acționare. (Fig. 6)

PRECAUȚIE

Nu priviți direct în lampă. Astfel de acțiuni pot duce la vătămarea ochilor.

7. Strângerea și slăbirea șuruburilor

Montați vârful adecvat șurubului, aliniați vârful cu canelurile capului șurubului și strângeți șurubul. Împingeți mașina de înșurubat cu impact doar atât cât să mențineți contactul vârfului cu capul șurubului.

PRECAUȚIE

Înșurubarea pe o perioadă prea lungă duce la strângerea excesivă a șurubului și poate duce la ruperea acestuia. Dacă atunci când strângeți un șurub țineți mașina de înșurubat cu impact înclinată față de șurub puteți deteriora capul șurubului iar forța nu se va transmite corect către șurub. Folosiți această mașină de înșurubat cu impact în poziție perpendiculară pe șurub.

PRECAUȚII ÎN UTILIZARE

1. Pauza după o utilizare îndelungată

După folosirea în mod continuu pentru strângerea șuruburilor, lăsați aparatul să facă o pauză de aproximativ 15 minute înainte de înlocuirea acumulatorilor. Dacă reluați lucrul imediat după înlocuirea acumulatorilor, temperatura motorului, a comutatorului etc. va crește ceea ce poate provoca arsuri.

NOTĂ

Nu atingeți părțile metalice, deoarece acestea devin fierbinți la utilizarea mașinii în mod continuu.

- 2. Precauții privind folosirea selectorului pentru viteză**
Acest selector are un circuit electronic încorporat pentru controlul continuu al vitezei de rotație. Prin urmare, atunci când comutatorul este acționat foarte ușor (viteză de rotație scăzută) și motorul în timpul înșurubării, componentele circuitului electronic se pot supraîncălzi și se pot deteriora.

3. Folosirea un timp de strângere corespunzător șurubului

Cuplul de strângere pentru un șurub diferă în funcție de materialul și de dimensiunea șurubului, de materialul în care se face înșurubarea etc., de aceea vă rugăm să folosiți un timp de înșurubare corespunzător șurubului. În

particular, dacă se folosește un timp de înșurubare lung în cazul șuruburilor mai mici de M8 există pericolul ruperii șurubului și, de aceea, confirmați în prealabil timpul de strângere și cuplul de strângere.

4. Folosirea cu un cuplu de strângere adecvat șurubului căruia i se aplică impactul

Cuplul de strângere optim pentru piulițe sau șuruburi diferă în funcție de materialul și dimensiunea piulițelor sau șuruburilor. Un cuplu de strângere excesiv de mare pentru un șurub mic poate duce la întinderea sau la ruperea șurubului. Cuplul de strângere se mărește proporțional cu timpul de strângere. Folosiți timpul de strângere corespunzător șurubului.

5. Confirmarea cuplului de strângere

Factorii următori contribuie la reducerea cuplului de strângere. De aceea, confirmați cuplul de strângere real necesar prin înșurubarea în prealabil a câtorva șuruburi cu o cheie cu clichet. Factorii care afectează cuplul de strângere sunt următorii.

(1) Tensiunea

La atingerea limitei de descărcare, tensiunea scade și cuplul de strângere se micșorează.

(2) Timpul de lucru

Cuplul de strângere crește odată cu creșterea timpului de lucru. Însă cuplul de strângere nu va depăși o anumită valoare, chiar dacă mașina este utilizată mult timp.

(3) Diametrul șurubului

Cuplul de strângere variază în funcție de diametrul șurubului. În general, un diametru mai mare necesită un cuplu de strângere mai mare.

(4) Condițiile de strângere

Cuplul de strângere diferă în funcție de raportul de strângere, categoria și lungimea șuruburilor folosite, chiar și de tipul de filet al șuruburilor de aceeași dimensiune. De asemenea, cuplul de strângere diferă în funcție de starea suprafeței în care urmează să fie înșurubate șuruburile. Atunci când șurubul și piulița se rotesc simultan, cuplul se reduce considerabil.

ÎNȚREȚINERE ȘI VERIFICARE

1. Verificarea vârfului de șurubelniță

Folosirea unui vârf rupt sau a unui vârf uzat este periculoasă, deoarece acesta poate aluneca. Înlocuiți-l.

2. Verificarea șuruburilor de montare

Verificați la intervale regulate toate șuruburile de montare și asigurați-vă că acestea sunt corect strânse. Dacă există șuruburi slăbite, strângeți-le. Dacă există șuruburi slăbite, strângeți-le imediat. În caz contrar pot apărea probleme grave.

3. Întreținerea motorului

Folosirea motorului este inima motorului. Fiți foarte atenți să nu deteriorați bobinajul și să nu îl expuneți la ulei sau la apă.

4. Curățarea exterioară

Atunci când mașina de găurit și înșurubat s-a murdărit, ștergeți-o cu o cârpă moale și uscată sau cu o cârpă mezzata cu apă cu săpun. Nu folosiți solvenți pe bază de clor și nici diluanți, deoarece aceștia topesc masele plastice.

5. Depozitare

Depozitați mașina de găurit și înșurubat într-un loc cu temperatura mai mică de 40°C și nu o lăsați la îndemâna copiilor.

6. Lista pieselor de schimb pentru reparații

PRECAUȚIE

Reparațiile, modificările și verificarea sculelor electrice Hitachi se vor efectua numai la o unitate service autorizată de Hitachi.

În mod particular, întreținerea dispozitivului laser va fi efectuată de un agent autorizat de către producătorul dispozitivului laser.

Repararea dispozitivului laser va fi efectuată întotdeauna de către o unitate service autorizată de Hitachi.

Această listă de piese va fi de ajutor dacă va fi prezentată împreună cu mașina la unitatea service autorizată de Hitachi atunci când solicitați efectuarea de reparații sau de operațiuni de întreținere.

Pe durata folosirii și a operațiunilor de întreținere a mașinii trebuie respectate reglementările și standardele naționale privind securitatea.

MODIFICĂRI

Sculele electrice Hitachi sunt în mod constant îmbunătățite și modificate, pentru a îngloba cele mai noi cuceriri tehnologice.

De aceea, anumite piese pot fi modificate fără notificare prealabilă.

GARANȚIE

Garantăm sculele electrice Hitachi în conformitate cu reglementările statutare/specifice țării. Această garanție nu acoperă defectele sau daunele provocate de utilizarea necorespunzătoare, abuz sau de uzura și deteriorarea normale. În cazul în care aveți reclamații, vă rugăm să trimiteți scula electrică nedemontată, împreună cu CERTIFICATUL DE GARANȚIE care se găsește la finalul prezentelor Instrucțiuni de utilizare, la o unitate service autorizată de Hitachi.

NOTĂ

Ca urmare a programului continuu de cercetare și dezvoltare derulat de Hitachi, prezentele specificații pot fi modificate fără notificare prealabilă.

Informații privind nivelul de zgomot transmis prin aer și nivelul de vibrații

Valorile măsurate au fost determinate în conformitate cu EN 60745 și este declarată conformă cu ISO 4871.

Nivelul tipic al puterii sonore ponderate A: 103 dB (A)

Nivelul tipic al presiunii sonore ponderate A: 92 dB (A)

Nivel sonor, KpA: 3 dB (A)

Purtați protecție auditivă.

Valorile totale ale vibrațiilor (suma vectorială pe cele trei axe) au fost stabilite în conformitate cu EN60745.

Strângerea cu impact a elementelor de prindere, folosind capacitatea maximă a sculei:

Valoarea emisiei de vibrații **ah** = 18,1 m/s²

Precizie K = 1,5 m/s²

AVERTISMENT

- Valoarea emisiei de vibrații în timpul folosirii efective a sculei electrice poate diferi de valorile declarate, în funcție de modul de utilizare a sculei.

- Pentru identificarea măsurilor de siguranță ce trebuie luate pentru protejarea operatorului și care sunt bazate pe estimarea expunerii, în condiții reale de utilizare (ținând seama de toate componentele ciclului de utilizare, cum ar fi timpul necesar opririi sculei și timpul de funcționare suplimentar la pornirea sculei).

SPLOŠNA VARNOSTNA NAVODILA ZA ELEKTRIČNO ORODJE

⚠ OPOZORILO

Preberite vas varnostna opozorila in navodila.

Z neupoštevanjem opozoril in navodil tvegate električni udar, požar in/ali resne telesne poškodbe.

Vsa opozorila in navodila shranite.

Izraz "električno orodje" v opozorilih se nanaša na električno orodje, ki se napaja z omrežno energijo (s priključno vrstico), ali električno orodje, ki se napaja z energijo iz akumulatorskih baterij (brez priključne vrvice).

1) Varnost na delovnem mestu

- Delovno mesto mora biti čisto in dobro osvetljeno.**
V razmetanih in temačnih območjih je verjetnost nesreč večja.
- Električnega orodja ni dovoljeno uporabljati v eksplozivnih okoljih, na primer v bližini vnetljivih tekočin, plinov ali prahu.**
Pri delu z električnim orodjem se iskri – iskre lahko vnamejo prah in hlape.
- Preprečite dostop otrokom in drugim v delovno območje vključenega električnega stroja.**
Zaradi motenja lahko izgubite nadzor.

2) Električna varnost

- Vtiči električnega orodja morajo ustrezati vtičnici.**
Vtiči ni dovoljeno kakor koli spreminjati.
Za povezavo ozemljenega električnega orodja ni dovoljeno uporabiti vmesnih vtičev.
Z nespremenjenimi vtiči in ustreznimi vtičnicami je tveganje električnega udara manjše.
- Preprečite stik z ozemljenimi površinami, kot so cevi, radiatorji, peči in hladilniki.**
Ko je telo delavca ozemljeno, je nevarnost električnega udara večja.
- Električnega orodja ni dovoljeno izpostavljati na dež ali v mokre pogoje.**
Z vdorom vode v električno orodje je nevarnost električnega udara velika.
- Ne zlorabljajte priključne vrvice. Priključne vrvice ni dovoljeno uporabljati za prenašanje, vlečenje in izklapljanje električnega orodja.**
Priključne vrvice ne izpostavljajte na vročino, olje, ostre robove in premične dele.
Med uporabo poškodovanih in zamotanih priključnih vrvic je nevarnost električnega udara večja.
- Za uporabo električnega orodja na prostem priključite podaljšek, ki je izdelan za takšno uporabo.**
Z uporabo priključne vrvice, ki je izdelana za delo na prostem, je nevarnost električnega udara manjša.
- Če je delo z električnim orodjem v vlažnem okolju neizbežno, uporabite napajanje, ki je zaščiteno s stikalom za diferenčni tok (RCD).**
Zaščitno stikalo za diferenčni tok (RCD) zmanjša nevarnost električnega udara.

3) Osebna varnost

- Ostanite zbrani, pazite, kaj delate in delajte po pameti.**
Električnega orodja ni dovoljeno uporabljati, če ste utrujeni ali pod vplivom mamil, alkohola ali zdravil.
Trenutek nepozornosti med delom z električnim orodjem je lahko vzrok za resne telesne poškodbe.

- Uporabljajte osebno zaščitno opremo. Za delo si obvezno nadenite zaščito za oči.**

Zaščitna oprema, kot so maska za prah, nezdrnsni čevlji, čelada ali zaščita za ušesa, ustrezno uporabljena v danih pogojih, zmanjša nevarnost telesnih poškodb.

- Preprečite neželen zagon. Preden stroj povežete na omrežni vir in/ali akumulatorski sklop, preden ga dvignete ali prinesete, stikalo obvezno prestavite v položaj izklopa (na "OFF").**

Pri prenosu električnega orodja s prstom na stikalo ali pri povezavi električnega orodja, ko je stikalo v položaju vklopa "ON", je tveganje nesreč večje.

- Preden električno orodje vključite, odstranite vse nastavitvene ključe.**

Med delom z električnim orodjem, kjer je ključ pritrjen na vrteč del tega orodja, je velika nevarnost telesnih poškodb.

- Ne presegajte. Ves čas trdno stojte in vzdržujte ravnotežje.**

Na ta način lahko bolje nadzorujete električno orodje v nepričakovanih situacijah.

- Ustrezno se oblecite. Za delo si nadenite tesna oblačila in snemite nakit. Z lasmi, oblačili in rokavicami ne posegajte med premične dele.**

Ohlapna oblačila, nakit ali dolgi lasje se lahko ujamejo med premične dele.

- Če so na voljo naprave za povezavo odpraševalnih delov in zbiralnikov, slednje povežite in pravilno uporabljajte.**

Funkcija zbiranja prahu zmanjša nevarnost v zvezi s prahom.

4) Uporaba in vzdrževanje električnega orodja

- Električnega orodja ne preobremenjujte. Za izbrano delo uporabite ustrezno električno orodje.**
Z ustreznim električnim orodjem boste delo opravili bolje in varneje.
- Električnega orodja ni dovoljeno uporabiti, če s stikalom orodja ne morete vključiti in izključiti.**
Električno orodje, ki ga ni možno upravljati s stikalom, je nevarno in ga je treba popraviti.
- Preden orodje predelate, spremenite priključke ali orodje shranite, iztaknite vtič iz omrežnega vira in/ali baterijski sklop z električnega orodja.**
S takšnimi preventivnimi varnostnimi ukrepi zmanjšate nevarnost neželenega zagona orodja.
- Električno orodje shranite izven dosega otrok in ne dovolite upravljati orodja osebam, ki orodja ne poznajo in ki niso prebrale navodil.**
Električno orodje je nevarno v rokah neusposobljenih uporabnikov.
- Električno orodje vzdržujte. Pregledujte, če je neporavnano, če premični deli zavirajo, če so deli polomljeni in druge pogoje, ki lahko vplivajo na delovanje električnega orodja.**
Poškodovano električno orodje je treba pred uporabo popraviti.
Vzrok mnogih nesreč je slabo vzdrževano električno orodje.
- Rezalno orodje mora biti ostro in čisto.**
Pravilno vzdrževano rezalno orodje z ostrimi rezilnimi robovi manj pogosto zavira in ga je lažje upravljati.
- Električno orodje, priključke in svedre ipd. uporabljajte v skladu s temi navodili, pri čemer upoštevajte pogoje dela in izbrane naloge.**
Z uporabo električnega orodja v druge namene nastopi nevarna situacija.

- 5) **Uporaba orodja baterija in vzdrževanje**
- a) **Polnite samo s polnilnikom, ki ga je določil proizvajalec.**
Polnilnik, ki je primeren za en tip baterije lahko povzroči nevarnost požara, če ga uporabite z drugo baterijo.
- b) **Električna orodja uporabljajte samo s posebej narejenimi baterijami.**
Uporaba drugih baterij lahko povzroči poškodbe ali požar.
- c) **Ko baterije ne uporabljate jo držite v stran od kovinskih predmetov kot so sponke, kovanci, ključi, žebliji, vijaki ter drugi manjši kovinski predmeti, ki lahko povežejo en terminal z drugim.**
Kratek stik s terminali na bateriji lahko povzroči opekline ali požar.
- d) **Med zlorabo lahko tekočina priteče iz baterije; izogibajte se stiku z njo. Če slučajno pride do stika, takoj oprati z vodo. Če tekočina pride v stik z očmi, poščitite dodatno zdravniško pomoč.**
Tekočina iz baterije lahko povzroči draženje ali opekline.
- 6) **Servis**
- a) **Električno orodje lahko servisira le usposobljen delavec, ki mora uporabljati enake nadomestne dele.**
Na ta način se ohrani varnost električnega orodja.

VARNOSTNI UKREP

Preprečite dostop otrokom in nemočnim osebam.

Orodje, ki ga ne uporabljate, shranite izven dosega otrok in nemočnih oseb.

VARNOSTNI UKREPI ZA AKUMULATORSKI UDARNI VIJAČNIK

1. To je prenosno orodje za zavijanje in odvijanje vijakov. Uporabite ga le za ta namen.
2. Uporabite čepke za ušesa, če orodje uporabljate dalj časa.
3. Delo z eno roko je zelo nevarno; pri uporabi enoto trdno držite z obema rokama.
4. Po namestitvi svedra ga narahlo izvlecite in se prepričajte, da se ne bo odvil. Nepravilno nameščen sveder se lahko med uporabo odvije in predstavlja nevarnost.
5. Uporabite sveder, ki se prilega vijaku.
6. Zavijanje vijaka z udarnim vijakom pri kotu, ko vijak lahko poškoduje glavo vijaka in pripadajoče sile ne bodo prenešene na vijak. Z udarnim vijakom zavijajte tako, da je poravnani z vijakom.
7. Baterijo zmeraj polnite pri temperaturi od 0 - 40°C. Če akumulatorsko baterijo polnite pri temperaturi, ki ni 0 - 40°C, lahko na ta način preprečite pravilno polnjenje in skrajšate obratovalno dobo akumulatorske baterije. Najbolj primerna temperatura za polnjenje je od 20 - 25°C.
8. Ko se eno polnjenje zaključi ga pred naslednjim polnjenjem baterije pustite mirovati za približno 15 minut.
Akumulatorja ne polnite več kot 2 uri.
9. Ne dovolite, da se tujski naberejo na luknji za priključevanje baterije za polnjenje.
10. Baterije za polnjenje in polnilnika nikoli ne razstavljajte.
11. Nikoli ne naredite kratkega stika z baterijo za polnjenje.
Kratek stik na bateriji bo povzročil velik električni tok

in pregrevanje. Posledica tega bo zažgana ali poškodovana baterija.

12. Baterije ne zavrzite v ogenj.
Baterija lahko eksplodira, če jo zažgete.
13. Pri vrtnanju v zid, tla ali strop preverite za zakopane električne kable, ipd.
14. Ko življenjska doba napolnjene baterije postane prekratka za praktično uporabo jo prinesite v trgovino, kjer ste jo kupili. Izrabljene baterije ne zavrzite.
15. Uporaba izrabljene baterije bo poškodovala polnilnik.
16. V reže na polnilniku, ki služijo prezračevanju, ne vtikajte predmetov.
Vstavljanje kovinskih ali vnetljivih predmetov v režo za prezračevanje na polnilniku, bo povzročilo električni udar ali poškodovalo polnilnik.

OPOZORILO ZA LITIJ-IONSKO BATERIJO

Za podaljšanje življenjske dobe je litij-ionska baterija opremljena z zaščitno funkcijo, ki ustavi izhod.

V zgoraj opisanih primerih od 1 do 3 se pri uporabi tega izdelka, tudi če ugasnete stikalo, motor lahko ustavi. To ni nobena težava, ampak rezultat zaščitne funkcije.

1. Ko se porabi preostala moč baterije se motor ugasne.
V tem primeru baterijo takoj napolnite.
2. Če je orodje preobremenjeno se motor lahko ustavi.
V tem primeru sprostite stikalo orodja in odstranite vzroke za preobremenitev. Po tem lahko orodje spet uporabljate.
3. Če se baterija pregreje zaradi preobremenitve, se bo ustavil dovod moči.
V tem primeru nehajte uporabljati baterijo in pustite jo, da se ohladi. Po tem lahko orodje spet uporabljate.

Prosimo, da upoštevate naslednja opozorila in ukrepe.

OPOZORILO

Da bi preprečili iztekanje baterija, ustvarjanje toplote, oddajanje dima, eksplozijo in zažiganje, prosimo, da upoštevate naslednja varnostna opozorila.

1. Preprečite nabiranje kovinskih drobcov in prahu na akumulatorju.
 - Med delom poskrbite, da kovinski drobcji in prah ne padajo na akumulator.
 - Med delom poskrbite, da se morebitni kovinski drobcji in prah z električnega orodja ne nabirajo na akumulatorju.
 - Neuporabljenega akumulatorja ni dovoljeno hraniti na mestu, kjer je izpostavljen kovinskim drobcem in prahu.
 - Pred shranjevanjem akumulator očistite in odstranite kovinske drobcje ter prah, ki se lahko sprimejo na akumulator; akumulatorja ne hranite skupaj s posameznimi kovinskimi deli (vijaki, žebliji itn.).
2. Baterije ne prebadajte z ostrimi predmeti kot so žebliji, ne udarjajte je s kladivom, ne stopite na njo, jo mečite ali izpostavljajte težkim fizičnim udarom.
3. Vidno poškodovane ali deformirane baterije ne uporabljate.
4. Baterije z zamenjano polariteto ne uporabljate.
5. Baterije ne priključite neposredno na električne vtičnice ali cigaretni vžigalnik v avtomobilu.
6. Baterije uporabljajte le za določene namene.
7. Nadaljnje polnjenje takoj ustavite, če se polnjenje ne zaključi, ko preteče določen čas polnjenja.
8. Baterije ne postavljajte ali izpostavljajte na visoke temperature ali visok pritisk, na primer v mikrovalovno pečico, sušilec ali visokotlačno komoro.
9. Ko zaznate iztekanje ali neprijeten vonj se takoj odmaknite od ognja.

10. Ne uporabljati v prostorih, kjer se ustvarja močna statična električna.
11. Če baterija teče, ima čuden vonj, generira toploto, je razbarvana ali deformirana oziroma kakorkoli izgleda čudna med uporabo, polnjenjem ali shranjevanjem jo takoj odstranite iz opreme ali polnilnika in jo nehaite uporabljati.

POZOR

1. Če tekočina, ki izteka iz baterije pride v stik z vašimi očmi jih ne drgnite ampak jih operite s svežo, čisto vodo ter takoj obiščite zdravnika. Tekočina lahko povzroči težave z očmi, če ne greste k zdravniku.
2. Če tekočina pride na kožo ali oblačila jih takoj operite s čisto vodo iz pipe. Obstaja možnost, da lahko povzroči draženje kože.

3. Če opazite rjo, čuden vonj, pregrevanje, razbarvanje, deformacijo in/ali druge nepravilnosti pri prvi uporabi baterije, je ne uporabljajte in jo vrnite dobavitelju ali prodajalcu.

OPOZORILO

Če v sponko litijeve ionske baterije vdre tuj električno prevoden predmet, lahko nastane kratek stik in s tem nevarnost požara. Prosimo, upoštevajte naslednja navodila za skladiščenje baterije.

- **V škato za shranjevanje ni dovoljeno odložiti električno prevodnih odrezkov, žbljev, jeklenih žic, bakrenih žic in drugih žic.**
- **Baterijo namestite na električno orodje ali jo shranite tako, da jo dobro pritisnete v baterijski pokrov - odprtine za zračenje se morejo prekriti; s tem preprečite nevarnost kratkih stikov. (Glej Skico 1)**

SPECIFIKACIJE**ELEKTRIČNO ORODJE**

Neobremenjena hitrost	0 - 2500 min ⁻¹
Kapaciteta (Navaden sornik)	M5 – M12
Navor zatesnitve (maksimum)	95 N·m
Baterija, ki se polni	BCL1015: Litij-ion 10,8 V / 12 V tematsko (1,5 Ah 3 celice)
Teža	1,0 kg

POLNILNIK

Model	UC10SFL
Napetost polnjenja	10,8 V
Teža	0,35 kg

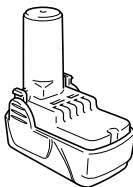
STANDARDNI DODATKI

WH10DFL (2LCSK)	① Dodatni sveder (št. 2 × 50L)	1
	② Baterija (BCL1015)	2
	③ Polnilnik (UC10SFL)	1
	④ Plastična škatla	1
	⑤ Baterijski pokrov	1

Standardni pripomočki se lahko spremenijo brez vnaprejšnjega obvestila.

OPCIJSKI DODATKI (PRODAJANI LOČENO)

1. Baterija (BCL1015)



Opcijski dodatki se lahko spremenijo brez vnaprejšnjega obvestila.

UPORABE

- Zavijanje in odstranjevanje strojnih vijakov, lesenih vijakov, navojnih vijakov, itd.

ODSTRANJEVANJE/NAMEŠČANJE BATERIJE**1. Odstranjevanje baterije**

Trdno primite ročico in pritisnite na baterijski zapah, da odstranite baterijo (glej **Skici 1 in 2**).

POZOR

Nikoli ne naredite kratkega stika z baterijo.

2. Nameščanje baterije

Vstavite baterijo ter bodite pozorni na polariteto (glej **Skico 2**).

POLNJENJE

Pred uporabo električnega orodja napolnite akumulator, kot sledi.

1. Priključno vrstico polnilnika povežite v vtičnico**2. Namestite akumulator v polnilnik**

Akumulator poravnajte, tako da je nazivna ploščica obrnjena proti nazivni ploščici polnilnika in pritisnite akumulator dol, tako da vzpostavi stik s spodnjo ploščo (glej **Skico 3**).

Ko namestite akumulator, se polnilnik vključi (zasveti krmilni indikator).

POZOR

Če krmilni indikator ne zasveti, izvlecite vtič priključne vrvice iz vtičnice in preglejte namestitev akumulatorja. Krmilni indikator ugasne in označi, da je akumulator do konca napoljen.

POZOR

Če se akumulator segreva zaradi neposredne sončne svetlobe itd., takoj po delovanju krmilni indikator polnilnika morda ne zasveti. V tem primeru počakajte, da se akumulator ohladi in šele nato zaženite polnjenje.

- V zvezi s časom polnjenja

V **tabeli 1** je označen čas polnjenja za posamezno vrsto akumulatorja.

Tabela 1 Čas polnjenja (okoli min.) pri 20°C

Akumulatorska napetost (V)	Akumulatorska moč (Ah)	
	1,5 Ah	
10,8 V	BCL1015	40 min

OPOMBA: Čas polnjenja je odvisen od okoljske temperature.

3. Iz vtičnice odklopite priključno vrstico polnilnika

4. Trdno primite polnilnik in izvlecite akumulator

OPOMBA

Po uporabi izvlecite baterijo iz polnilnika in jo shranite.

Kako dalj časa uporabljati baterije

- (1) Baterije napolnite še preden se v celoti izpraznijo. Ko občutite, da se moč orodja slabša, ga nehaite uporabljati in napolnite baterije. Če nadaljujete z uporabo orodja in izrabite električno napetost, se baterija lahko poškoduje in skrajša se ji življenjska doba.
- (2) Izogibajte se polnjenju pri visokih temperaturah. Napolnjena baterija bo vroča takoj po porabi. Če takšno baterijo napolnite takoj po uporabi se bodo njene notranje kemijske substance poslabšale in skrajšala se bo njena življenjska doba. Baterijo pustite nekaj časa, da se ohladi in jo šele nato napolnite.

POZOR

- Ko polnilnik baterij dalj časa uporabljate se bo segrel ter bo predstavljal vzrok za nepravilna delovanja. Ko se polnjenje zaključi ga pred naslednjim polnjenjem pustite 15 minut mirovati.
- Če akumulatorski polnilnik ne deluje in je akumulator pravilno nameščen, gre verjetno za okvaro polnilnika ali akumulatorja. Odnosite na pooblaščen servis.

PRED UPORABO

1. Pripravljanje in preverjanje delovnega okolja

Preverite, če je okolje primerno za delo, in sicer ukrepajte, kot opisano zgoraj.

UPORABA

1. Nameščanje svedra

Sveder namestite, kot sledi (**Skico 4**).

- (1) Pinolo povlecite naprej.
- (2) Sveder vstavite v šesterorobno luknjo v vtičnici.
- (3) Spustite pinolo, ki se ponastavi v prvoten položaj.

POZOR:

Če se pinola ne ponastavi v prvoten položaj, sveder ni pravilno nameščen.

2. Odstranjevanje svedra

Ukrepajte v nasprotnem vrstnem redu kot pri nameščanju svedra.

3. Prepričajte se, da je akumulator pravilno nameščen

4. Preverite smer rotacije

Sveder se obrača v smeri urinega kazalca (gledano iz strani), ko pritisnete D-stran izbirne tipke.

Če pritisnete L-stran izbirne tipke se sveder vrti v nasprotni smeri urinega kazalca (glej **Skico 5**) (označbi (R) in (L) sta na telesu).

5. Uporaba stikala

- Ko sprožilna tipka ni pritisnjena se orodje obrača. Ko tipko spustite se orodje zaustavi.

- Rotacijsko hitrost vrtnalnika lahko nadzorujete s spreminjanjem pritiska na stikalo. Hitrost je nizka, ko stikalo narahlo povlečete in se poveča, ko stikalo povlečete močneje.

OPOMBA

- Ko se motor začenja vrteti boste zaslišali piskajoči zvok; to je le šum in ne pomeni napake stroja.

6. Uporaba luči

Povlecite prevesno stikalo, tako da luč zasveti. Luč sveti, dokler vlečete za prevesno stikalo. Luč ugasne, potem ko spustite prevesno stikalo (**Skico 6**).

POZOR:

Ne glejte neposredno v luč. Nevarnost poškodb oči.

7. Zavijanje in odvijanje vijakov

Namestite sveder, ki se ujema z vijakom, poravnajte sveder z utori na glavi vijaka in ga zatesnite.

Udamri vijačnik pritisnite le toliko, da se sveder ujema z glavo vijaka.

POZOR

Prekomerna uporaba udarnega vijačnika preveč zatesni vijak in ga lahko zlomi.

Zavijanje vijaka z udarnim vijačnikom pri kotu, ko vijak lahko poškoduje glavo vijaka in pripadajoče sile ne bodo prenešene na vijak.

Z udarnim vijačnikom zavijajte tako, da je poravnat z vijakom.

OPOZORILA PRI DELU

1. Počivanje enote po dolgotrajnem delu

Po uporabi za nenehno zavijanje sornikov ali pri zamenjavi baterije, pustite enoto počivati 15 minut. Temperatura motorja, stikala itd. se bo povečala, če z delom nadaljujete takoj po zamenjavi baterije sčasoma povzročila pregorevanje.

OPOMBA

Ne dotikajte se kovinskih delov, saj se ti deli med neprekinjenim delom močno segrejejo.

2. Opozorila za uporabo stikala za nadzor hitrosti

Stiaklo ima vgrajeno električno vezje, ki brezokračno spreminja hitrost vrtenja. Potemtakem, ko stikalo narahlo povlečete (vrtenje pri nizki hitrosti) in se motor zaustavi zaradi nenehnega zavijanja vijakov, se lahko komponente delov električnega vezja pregrejejo in poškodujejo.

3. Uporabite primeren čas zavijanja za vijak

Primeren navor za vijak se razlikuje glede na material in velikost vijaka ter material, v katerega ga zavijate itd. zatorej prosimo, da uporabite primeren čas zavijanja za vijak. Če uporabljate daljši čas zavijanja za vijake, ki so manjši od M8, obstaja nevarnost zloma vijaka zato se pred delom prepričajte o času zavijanja in njegovem navoru.

4. Uporabite navor zatesnitve, ki je primeren za sornik pod udarom

Optimalni navor zatesnitve za maticе in sornike se razlikuje glede na material in velikost maticе ali sornikov. Prekomerno velik navor zatesnitve uporabljen na majhnem

sorniku ga lahko raztegne ali zlomi. Navor zatesnitve se povečuje sorazmerno s časom delovanja. Uporabite pravičen čas delovanja za sornik.

5. Preverite navor zatesnitve

Naslednji faktorji vplivajo na zmanjšanje navora zatesnitve. Zatorej potrdite dejanski potreben navor zatesnitve tako, da zavijete nekaj sornikov z ročnim navornim ključem. Faktorji, ki vplivajo na navor zatesnitve so naslednji.

(1) Napetost

Ko je dosežen rob sprožitve se napetost zmanjša in navor zatesnitve oslabi.

(2) Čas delovanja

Navor zatesnitve se povečuje s časom delovanja. Kljub temu se navor zatesnitve ne poveča preko določene vrednosti, četudi orodje uporabljate dalj časa.

(3) Premer sornika

Navor zatesnitve se spreminja s premerom sornika. Ponavadi potrebujejo sorniki z večjim premerom, večji navor zatesnitve.

(4) Pogoji zatesnitve

Navor zatesnitve se razlikuje glede na razmerje navora; razreda in dolžine sornika, četudi uporabljate sornike z enako velikimi navoji. Navor zatesnitve se spreminja tudi glede na pogoje površine delovnega predmeta skozi katerega zatesnjujete sornike. Ko se sornik in matica obračata skupaj se navor zelo zmanjša.

VZDRŽEVANJE IN PREGLEDI

1. Pregled izvijalnega svedra

Uporaba zlomljenega svedra ali svedra z obrabljenim vrhom je nevarna, saj lahko sveder zdrsne. Zamenjajte ga.

2. Pregled montažnih vijakov

Redno preverjajte vse montažne vijake in se prepričajte, da so primerno zaviti. Če se katerikoli vijak odvijne, ga takoj zavijte. Če se katerikoli vijak odvijne, ga takoj zavijte. Če tega ne naredite lahko pride do resnih nesreč.

3. Vzdrževanje motorja

Navitje enote motorja je "srce" električnega orodja. Bodite zelo pazljivi, da navitja ne poškodujete in/ali zmocite z oljem ali vodo.

4. Očistite zunanost

Ko se vrtalnik umaže ga obrišite z mehko suho krpo, ali s krpo, namočeno v milnico. Ne uporabljajte klorovih raztopin, bencina ali razredčevalcev barve, saj ti stopijo plastiko.

5. Shranjevanje

Vrtalnik shranite v prostor, kjer je temperature nižja od 40°C ter izven dosega otrok.

6. Seznam servisnih delov

POZOR

Popravila, spremembe in pregled Hitachi električnega orodja mora izvajati pooblaščen servisni center Hitachi. Zlasti lasersko napravo mora vzdrževati pooblaščen agent proizvajalca laserja.

Popravilo laserske naprave zmeraj določite pooblaščenemu servisnemu centru Hitachi.

Pri zahtevi za popravilo ali vzdrževanje bo v veliko pomoč, če pooblaščenemu servisnemu centru Hitachi skupaj z orodjem izročite tudi ta seznam delov.

Pri uporabi in vzdrževanju električnih orodjih je treba upoštevati varnostne uredbe in standarde, ki so določene za vsako državo.

SPREMEMBE

Hitach električna orodja se nenehno izboljšujejo in spreminjajo, da bi vključevala najnovejše tehnološke napredke.

Torej se lahko nekateri deli, spremenijo brez vnaprejšnjega obvestila.

GARANCIJA

Garantiramo za Hitachi električna orodja v skladu z ustavno/državno veljavnimi uredbami. Garancija ne pokriva napak ali poškodb, ki nastanejo zaradi nepravilne uporabe, zlorabe ali normalne obrabe. V primeru pritožbe pošljite nerazstavljeno električno orodje skupaj z GARANCIJSKIM CERTIFIKATOM, ki ga najdete na koncu teh navodil za uporabo, na pooblaščen servisni center Hitachi.

OPOMBA

Zaradi HITACHIJEVEGA nenehnega programa raziskav in razvoja se specifikacije lahko spremenijo brez vnaprejšnjega obvestila.

Informacije o hrupu in vibracijah

Izmerjene vrednosti so bile določene glede na EN 60745 in navedeno v skladu z ISO 4871.

Tipičen A-obremenjen nivo moči zvoka: 103 dB (A)

Tipičen A-obremenjen nivo zvočnega pritiska: 92 dB (A)

Spremenljivost KpA: 3 dB (A)

Obvezna uporaba zaščite sluha.

Skupna vrednost vibracij (vsota vektorja triax) je v skladu s standardom EN60745.

Udarno privijanje pritrtil maks. zmogljivosti orodja:

Emisija vibracije **ah** = 18,1 m/s²

Negotovost K = 1,5 m/s²

OPOZORILO

○ Emisija vibracij med dejansko uporabo električnega orodja se lahko razlikuje od navedene vrednosti - odvisno od načina uporabe orodja.

○ Za identifikacijo varnostnih ukrepov za zaščito uporabnika, ki temeljijo na oceni izpostavljanja v dejanskih pogojih uporabe (pri upoštevanju vseh delov obratovalnega ciklusa, kot so obdobja, ko je orodje izključeno, in ko orodje teče v prostem teku, poleg časa sproženja).

ОБЩИЕ ПРАВИЛА БЕЗОПАСНОСТИ ПРИ РАБОТЕ С ЭЛЕКТРОИНСТРУМЕНТОМ

⚠ ПРЕДУПРЕЖДЕНИЕ

Прочтите все правила безопасности и инструкции.
Не выполнение правил и инструкций может привести к поражению электрическим током, пожару и/или серьезной травме.

Сохраняйте все правила и инструкции на будущее.
Термин "электроинструмент" в контексте всех мер предосторожности относится к эксплуатируемому Вами электроинструменту с питанием от сетевой розетки (с сетевым шнуром) или электроинструменту с питанием от аккумуляторной батареи (беспроводному).

1) Безопасность на рабочем месте

- a) **Поддерживайте чистоту и хорошее освещение на рабочем месте.**
Беспорядок и плохое освещение приводят к несчастным случаям.
- b) **Не используйте электроинструменты во взрывоопасных окружающих условиях, например, в непосредственной близости огнеопасных жидкостей, горячих газов или легковоспламеняющейся пыли.**
Электроинструменты порождают искры, которые могут воспалить пыль или испарения.
- c) **Держите детей и наблюдающих на безопасном расстоянии во время эксплуатации электроинструмента.**
Отвлечение внимания может стать для Вас причиной потери управления.

2) Электробезопасность

- a) **Сетевые вилки электроинструментов должны соответствовать сетевой розетке.**
Никогда не модифицируйте штепсельную вилку никоим образом.
Не используйте никакие адаптерные переходники с заземленными (замкнутыми на землю) электроинструментами.
Немодифицированные штепсельные вилки и соответствующие им сетевые розетки уменьшат опасность поражения электрическим током.
- b) **Не прикасайтесь телом к заземленным поверхностям, например, к трубопроводам, радиаторам, кухонным плитам и холодильникам.**
Если Ваше тело соприкоснется с заземленными поверхностями, возрастает опасность поражения электрическим током.
- c) **Не подвергайте электроинструменты действию воды или влаги.**
При попадании воды в электроинструмент возрастает опасность поражения электрическим током.
- d) **Правильно обращайтесь со шнуром. Никогда не переносите электроинструмент, взявшись за шнур, не тяните за шнур и не дергайте за шнур с целью отсоединения электроинструмента от сетевой розетки.**
Располагайте шнур подальше от источников тепла, нефтепродуктов, предметов с острыми кромками и движущихся деталей.

Поврежденные или запутанные шнуры увеличивают опасность поражения электрическим током.

- e) **При эксплуатации электроинструмента вне помещений, используйте удлинительный шнур, предназначенный для использования вне помещения.**
Использование шнура, предназначенного для работы вне помещений, уменьшит опасность поражения электрическим током.
- f) **При эксплуатации электроинструмента во влажной среде, используйте устройство защитного отключения (RCD) источника питания.**
Использование RCD уменьшит опасность поражения электрическим током.

3) Личная безопасность

- a) **Будьте готовы к неожиданным ситуациям, внимательно следите за своими действиями и руководствуйтесь здравым смыслом при эксплуатации электроинструмента.**
Не используйте электроинструмент, когда Вы устали или находитесь под влиянием наркотиков, алкоголя или лекарственных препаратов.
Мгновенная потеря внимания вовремя эксплуатации электроинструментов может привести к серьезной травме.
- b) **Используйте индивидуальные средства защиты. Всегда надевайте средства защиты глаз.**
Защитное снаряжение, например, противопылевой респиратор, защитная обувь с нескользкой подошвой, защитный шлем-каска или средства защиты органов слуха, используемые для соответствующих условий, уменьшат травмы.
- c) **Избегайте непреднамеренного включения двигателя. Убедитесь в том, что выключатель находится в положении выключения перед подниманием, переноской или подсоединением к сетевой розетке и/или портативному батарейному источнику питания.**
Переноска электроинструментов, когда Вы палец держите на выключателе, или подсоединение электроинструментов к сетевой розетке, когда выключатель будет находиться в положении включения, приводит к несчастным случаям.
- d) **Снимите все регулировочные или гаечные ключи перед включением электроинструмента.**
Гаечный или регулировочный ключ, оставленный прикрепленным к вращающейся детали электроинструмента, может привести к получению травмы.
- e) **Не теряйте устойчивость. Все время имейте точку опоры и сохраняйте равновесие.**
Это поможет лучше управлять электроинструментом в непредвиденных ситуациях.
- f) **Одевайтесь надлежащим образом. Не надевайте просторную одежду или ювелирные изделия. Держите волосы, одежду и перчатки как можно дальше от движущихся частей.**

Просторная одежда, ювелирные изделия или длинные волосы могут попасть в движущиеся части.

- 9) Если предусмотрены устройства для присоединения приспособлений для отвода и сбора пыли, убедитесь в том, что они присоединены и используются надлежащим образом.

Использование данных устройств может уменьшить опасности, связанные с пылью.

- 4) **Эксплуатация и обслуживание электроинструментов**

- a) **Не перегружайте электроинструмент. Используйте надлежащий для Вашего применения электроинструмент.**

Надлежащий электроинструмент будет выполнять работу лучше и надежнее в том режиме работы, на который он рассчитан.

- b) **Не используйте электроинструмент с неисправным выключателем, если с его помощью нельзя будет включить и выключить инструмент.**

Каждый электроинструмент, которым нельзя управлять с помощью выключателя, будет представлять опасность, и его будет необходимо отремонтировать.

- c) **Отсоедините штепсельную вилку от источника питания и/или портативный батарейный источник питания от электроинструмента перед началом выполнения какой-либо из регулировок, перед сменой принадлежностей или хранением электроинструментов.**

Такие профилактические меры безопасности уменьшат опасность непреднамеренного включения двигателя электроинструмента.

- d) **Храните неиспользуемые электроинструменты в недоступном для детей месте, и не разрешайте людям, не знающим как обращаться с электроинструментом или не изучившим данное руководство, работать с электроинструментом.**

Электроинструменты представляют опасность в руках неподготовленных пользователей.

- e) **Содержите электроинструменты в исправности. Проверьте, нет ли несоосности или заедания движущихся частей, повреждения деталей или какого-либо другого обстоятельства, которое может повлиять на функционирование электроинструментов.**

При наличии повреждения отремонтируйте электроинструмент перед его эксплуатацией. Большое количество несчастных случаев связано с плохим обслуживанием электроинструментов.

- f) **Содержите режущие инструменты остро заточенными и чистыми.**

Надлежащим образом содержащиеся в исправности режущие инструменты с острыми режущими кромками будут меньше заедать и будут легче в управлении.

- g) **Используйте электроинструмент, принадлежности, насадки и т.п. в соответствии с данным руководством, принимая во внимание условия и объем выполняемой работы.**

Использование электроинструмента для выполнения работ не по прямому назначению может привести к опасной ситуации.

- 5) **Использование и хранение батареи**

- a) **Проводите перезарядку только с помощью зарядного устройства, предусмотренного производителем.**

Зарядное устройство, которое подходит для одного вида комплекта батарей, может вызвать риск возникновения пожара при использовании с другим видом комплекта батарей.

- b) **Используйте электроинструмент только с четко предусмотренными комплектами батарей.**

Использование других комплектов батарей может вызвать травмы или пожар.

- c) **Когда комплект батарей не используется, храните его подальше от металлических предметов, таких как скрепки, монеты, ключи, гвозди, болты или другие мелкие металлические предметы, которые могут соединить два выхода.**

Замыкание выходов батареи может вызвать ожоги или пожар.

- d) **При очень неблагоприятных условиях, из батареи может вытекать жидкость. Избегайте контакта с нею.**

При контакте с жидкостью промойте водой. При попадании в глаза обратитесь к врачу. Жидкость, которая вытекает из батареи, может вызвать раздражение или ожог.

- 6) **Обслуживание**

- a) **Обслуживание Вашего электроинструмента должно выполняться квалифицированным представителем ремонтной службы с использованием только идентичных запасных частей.**

Это обеспечит сохранность и безопасность электроинструмента.

МЕРА ПРЕДОСТОРОЖНОСТИ

Держите подальше от детей и немощных людей. Если инструменты не используются, их следует хранить в недоступном для детей и немощных людей месте.

МЕРЫ ПРЕДОСТОРОЖНОСТИ ПРИ ЭКСПЛУАТАЦИИ УДАРНОГО АККУМУЛЯТОРНОГО ШУРУПОВЕРТА

1. Данный переносной электроинструмент предназначен для затягивания и ослабления шурупов. Используйте его только для выполнения этих функций.
2. Используйте наушники при эксплуатации в течение длительного времени.
3. Выполнение работы одной рукой представляет очень большую опасность; при работе крепко держите инструмент обеими руками.
4. После установки насадки шуруповерта, слегка потяните насадку наружу, чтобы убедиться в том, что она не отделится. В случае если насадка не будет установлена надлежащим образом, она сможет отделиться во время эксплуатации, что может привести к опасности.
5. Используйте насадку, которая будет соответствовать шурупу.

6. Затягивание шурупа при помощи ударного шуруповерта, расположенного под углом к шурупу, может привести к повреждению головки шурупа, а надлежащее усилие не будет передано на шуруп. Располагайте ударный шуруповерт прямо по одной линии с шурупом для затягивания.
7. Всегда заряжайте батарею при температуре от 0°C до 40°C. Зарядка батареи при температуре вне диапазона 0 - 40°C может привести к неправильной зарядке батареи и сокращению её эксплуатации. Наиболее благоприятная температура для зарядки батареи от 20°C до 25°C.
8. Когда зарядка одной батареи будет полностью завершена, необходимо оставить зарядное устройство в выключенном состоянии примерно на 15 минут, перед тем как приступить к зарядке следующей батареи.
Не заряжайте батарею более 2 часов подряд.
9. Не позволяйте посторонним веществам попадать в отверстие для подключения аккумуляторной батареи.
10. Никогда не разбирайте аккумуляторную батарею и зарядное устройство.
11. Никогда не замыкайте аккумуляторную батарею накоротко, замыкание батареи накоротко приведет к резкому увеличению тока и перегреву. В результате батарея сгорит или будет повреждена.
12. Не бросайте батарею в огонь. Пожароопасная батарея может взорваться.
13. При сверлении отверстий в стене, в полу или в потолке, проверяйте наличие скрытых электрических проводов и т.п.
14. Отнесите использованные батареи в магазин, где они были приобретены, если срок службы батарей после зарядки станет слишком коротким для их практического использования. Не ликвидируйте отработанные батареи самостоятельно.
15. Использование отработанной батареи приведет к повреждению зарядного устройства.
16. Не вставляйте какой-либо посторонний предмет в щели воздушной вентиляции зарядного устройства. Попадание металлических предметов или легко воспламеняющихся материалов в щели воздушной вентиляции зарядного устройства может привести в результате к поражению электрическим током или к повреждению зарядного устройства.
3. Если батарея перегрелась при перегрузке, батарейное питание может закончиться. В таком случае, прекратите использовать батарею и дайте ей остыть. После этого, можете вновь её использовать.
Кроме того, примите во внимание следующие предупреждения и предостережения.

ПРЕДУПРЕЖДЕНИЕ

Во избежание утечки заряда батареи, теплообразования, дымовыделения, взрыва и загорания, убедитесь, что соблюдаются следующие меры предосторожности:

1. Убедитесь в том, что на батарее нет металлической стружки и пыли.
 - Во время работы убедитесь, что на батарею не нашла металлическая стружка и пыль.
 - Убедитесь, что на батарею не нашла металлическая стружка и пыль, которая попадает на зарядное устройство во время работы.
 - Не храните неиспользованную батарею в месте, открытом для металлической стружки и пыли.
 - Перед хранением батареи протрите всю металлическую стружку и пыль в месте ее хранения и не храните батарею вместе с металлическими предметами (болтами, гвоздями и т.д.)
 2. Не прокалывайте батарею острыми предметами, например, гвоздем, не бейте молотком, не наступайте на нее, не выкидывайте и не поддавайте батарею сильным механическим ударам.
 3. Не используйте явно поврежденные и деформированные батареи.
 4. Не используйте батарею, изменяя полярность.
 5. Не соединяйте непосредственно с электрическими выходами или машинными розетками для прикуривания сигарет.
 6. Не используйте батарею с целью, которая противоречит указанным.
 7. Если не удастся произвести зарядку батареи даже по истечении определенного времени для перезарядки, немедленно прекратите дальнейшую перезарядку.
 8. Не помещайте и не подвергайте батарею воздействию высоких температур или высокого давления, таких как в микроволновой печи, сушилке или контейнере высокого давления.
 9. Держите вдали от огня, особенно после обнаружения утечки заряда или постороннего запаха.
 10. Не используйте в помещениях, где вырабатывается сильное статическое электричество.
 11. В случае утечки батареи, постороннего запаха, теплообразования, выцветания или деформации, или каких-либо аномальных признаков во время использования, перезарядки или хранения немедленно удалите батарею с прибора или зарядного устройства и не используйте ее в дальнейшем.
- ## **ОСТОРОЖНО**
1. В случае если жидкость, которая вытекает с батареи, попадает в глаза, не трите их, а промойте их чистой водой, например, проточной, и незамедлительно обратитесь к врачу. Если не принять меры, жидкость может вызвать глазные проблемы.

МЕРЫ ПРЕДОСТОРОЖНОСТИ ПРИ ОБРАЩЕНИИ С ИОННО-ЛИТИЕВОЙ АККУМУЛЯТОРНОЙ БАТАРЕЕЙ

С целью продления срока службы ионно-литиевая батарея оснащена функцией защиты для приостановки разрядки. В случаях 1-3, описанных ниже, при использовании данного продукта, мотор может остановиться, даже если вы нажимаете выключатель. Это не является неисправностью, так как это следствие срабатывания функции защиты.

1. Когда мощность батареи продолжает снижаться, двигатель выключается.
В этом случае необходимо немедленно зарядить батарею.
2. Если инструмент перегружен, двигатель может остановиться. В такой ситуации необходимо отпустить выключатель инструмента и устранить причины перегрузки. После этого можно продолжить работу.

- Если жидкость попадает на кожу или одежду, незамедлительно хорошо промойте их чистой водой, например, проточной. Существует возможность появления раздражения на коже.
- Если во время первого использования батареи вы обнаружите ржавчину, посторонний запах, перегревание, обесцвечивание, деформацию и/или другие отклонения, прекратите использование и верните ее своему поставщику или продавцу.

ПРЕДУПРЕЖДЕНИЕ

При попадании проводящих инородных тел на полюс батареи возможно короткое замыкание, что может привести к пожару. Следите за этим при хранении батареи.

- Не храните проводящую стружку, гвозди, стальную или другую проволоку в одной упаковке с инструментом.
- Во избежание короткого замыкания установите батарею в электроинструмент или, при отсутствии вентиляционных отверстий, храните её в упаковке. (См. Рис. 1)

ТЕХНИЧЕСКИЕ ХАРАКТЕРИСТИКИ

ЭЛЕКТРОИНСТРУМЕНТ

Скорость без нагрузки	0 - 2500 мин ⁻¹
Производительность (Обыкновенный болт)	M5-M12
Крутящий момент (Максимальный)	95 Н·м
Аккумуляторная батарея	BCL1015: Li-ion 10,8 В / Максимум 12 В (1,5 Ач 3 элементов)
Вес	1,0 кг

ЗАРЯДНОЕ УСТРОЙСТВО

Модель	UC10SFL
Зарядное напряжение	10,8 В
Вес	0,35 кг

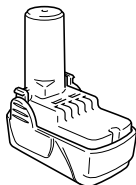
СТАНДАРТНЫЕ ПРИНАДЛЕЖНОСТИ

WH10DFL (2LCSK)	① Отвертка с крестообразной головкой (№2 x 50L) .. 1
	② Батарея (BCL1015) 2
	③ Зарядное устройство (UC10SFL) 1
	④ Пластмассовый чемодан 1
	⑤ Крышка аккумуляторной батареи ... 1

Комплект стандартных принадлежностей может быть изменен без уведомления.

ДОПОЛНИТЕЛЬНЫЕ ПРИНАДЛЕЖНОСТИ (приобретаются отдельно)

- Батарея (BCL1015)



Комплект стандартных принадлежностей может быть изменен без уведомления.

ОБЛАСТИ ПРИМЕНЕНИЯ

- Завинчивание и удаление крепежных винтов, шурупов для дерева, самонарезающих винтов и т.п.

СНЯТИЕ/УСТАНОВКА БАТАРЕИ

1. Снятие батареи

Крепко держите рукоятку и нажмите на фиксатор батареи для снятия батареи (см. Рис. 1 и 2).

ОСТОРОЖНО

Никогда не замыкайте батарею накоротко.

2. Установка батареи

Вставьте батарею, соблюдая ее полярность (см. Рис. 2).

ЗАРЯДКА

Перед использованием электроинструмента, зарядите батарею следующим образом.

1. Подсоедините шнур питания зарядного устройства к сетевой розетке

2. Вставьте батарею в зарядное устройство

Установите батарею таким образом, чтобы фирменный штемпель на ней совпал с фирменным штемпелем зарядного устройства, и надавите на батарею, чтобы она вошла в контакт с дном (см. Рис. 3).

Установка батареи приведет к включению зарядного устройства (загорится контрольная лампа).

ОСТОРОЖНО

Если контрольная лампа не высвечивается, вытяните шнур питания из сетевой розетки и проверьте установку батареек.

Контрольная лампочка гаснет, что означает то, что батарея полностью заряжена.

ОСТОРОЖНО

Если батарея нагрелась вследствие воздействия прямого солнечного света и т.п., непосредственно после эксплуатации, контрольная лампа зарядного устройства может не высветиться. В этом случае следует, прежде всего, дать батарее охладиться, а затем начать зарядку.

- Относительно времени зарядки

Таблица 1 показывает время зарядки в зависимости от типа батарейки.

Таблица 1 Время зарядки (приблизительно в минутах) при 20°C

Напряжение батареи (В)	Мощность батареи (Ач)	
	10,8 В	BCL1015

ПРИМЕЧАНИЕ: время зарядки может колебаться в зависимости от температур внешней среды.

- Отсоедините шнур питания зарядного устройства от сетевой розетки
- Крепко возьмитесь за зарядное устройство и вытащите батарею

ПРИМЕЧАНИЕ

Обязательно вытащите батарею из зарядного устройства после его использования, а затем правильно обращайтесь с батареями.

Как продлить срок службы батарей.

- Перезаряжайте батареи до того, как они будут полностью разряжены. Когда Вы почувствуете, что мощность инструмента становится слабее, остановите работу инструмента и перезарядите его батарею. Если Вы продолжите использование инструмента до окончания заряда, батарея может быть повреждена, а срок ее службы станет значительно короче.
- Избегайте перезарядки батареи при высокой температуре. Аккумуляторная батарея будет горячей непосредственно после ее использования. Если такую батарею перезарядить непосредственно после использования, химическое вещество внутри батареи будет ухудшаться, а срок службы батареи значительно сократится. Оставьте батарею на некоторое время для охлаждения, и перезарядите ее после того, как она остынет.

ВНИМАНИЕ:

- При длительном использовании зарядное устройство нагревается, что может стать причиной неполадок. После окончания зарядки сделайте 15-минутную паузу перед следующей зарядкой.
- Если зарядное устройство не работает при правильной установке батареи, возможно, что батарея или само устройство неисправны. В таком случае обратитесь в авторизованный сервисный центр.

ПЕРЕД НАЧАЛОМ РАБОТЫ

- Обеспечение и профилактический контроль условий эксплуатации**
Проверьте, соответствует ли рабочая среда следующим требованиям, указанным выше.

ПРАКТИЧЕСКОЕ ПРИМЕНЕНИЕ

1. Установка насадки

Всегда выполняйте следующие действия для того, чтобы установить насадку шуруповерта (Рис. 4).

- Оттяните вперед направляющий обод.
- Вставьте насадку в шестигранное отверстие в розетке.

- Отпустите направляющий обод, и он возвратится в исходное положение.

ОСТОРОЖНО

Если направляющий обод не возвратится в исходное положение, значит насадка установлена неправильно.

2. Удаление насадки

Выполните действия, противоположные описанным в методе установки насадки.

3. Проверьте и убедитесь в том, что батарея установлена правильно

4. Проверьте направление вращения

Сверло будет вращаться по часовой стрелке (если смотреть сзади), при нажатии на селекторную кнопку со стороны R. Сторона L селекторной кнопки должна быть нажата для вращения сверла против часовой стрелки (См. Рис. 5) (Метки (R) и (L) имеются на корпусе).

5. Функционирование пускового переключателя

- Инструмент будет вращаться при нажатом пусковом переключателе. Инструмент остановится, когда пусковой переключатель будет отпущен.
- Скорость вращения дрели можно контролировать, изменяя натяжение пускового переключателя. Скорость будет низкой, при легком натяжении пускового переключателя, и будет увеличиваться по мере увеличения натяжения пускового переключателя.

ПРИМЕЧАНИЕ

- Зуммерный сигнал прозвучит, когда двигатель готов к вращению: это просто сигнал, и он не свидетельствует о неисправности машины.

6. Использование света

Нажмите на курковый переключатель, чтобы загорелась лампочка. Она будет гореть все время, пока курковой переключатель нажат, и выключится после того, как курковой переключатель будет отпущен (Рис. 6).

ВНИМАНИЕ:

Не фиксируйте непосредственно при зажженном свете. Это может вызвать повреждение глаз.

7. Затягивание и ослабление винтов

Установите насадку, которая подходит винту, выровняйте насадку в шлицах головки винта, а затем затяните винт.

Нажимайте на ударный шуруповерт с усилием достаточным именно для того, чтобы удержать насадку прижатой к головке винта.

ОСТОРОЖНО

Приложение ударного шуруповерта для затягивания в течение слишком длительного времени приведет к чрезмерному затягиванию винта и может сломать винт. Затягивание винта при помощи ударного шуруповерта, расположенного под углом к винту, может привести к повреждению головки винта, а надлежащее усилие не будет передано на винт. Располагайте ударный шуруповерт прямо по одной линии с винтом для затягивания.

МЕРЫ ПРЕДОСТОРОЖНОСТИ ПРИ ЭКСПЛУАТАЦИИ

1. Состояние выключения после непрерывной работы

После использования для непрерывного затягивания болтов, выключите устройство на 15

минут или на время замены батареи. Температура двигателя, выключателя и т.п. поднимется, если эксплуатация возобновится сразу же после замены батареи, и двигатель, в конечном счете, сгорит.

ПРИМЕЧАНИЕ

Не прикасайтесь к металлическим частям, так как во время работы они нагреваются.

2. Меры предосторожности при эксплуатации выключателя регулятора скорости

Данный выключатель оснащен встроенной электронной схемой, которая плавно изменяет скорость вращения. Следовательно, когда пусковой переключатель будет только слегка нажат (вращение с низкой скоростью), а двигатель остановится во время непрерывного завинчивания винтов, компоненты электронной схемы могут перегреться и получить повреждения.

3. Используйте необходимое время для затягивания винта

Соответствующий крутящий момент для затягивания винта различается в зависимости от материала и размера винта, а также от материала, в который вкручивают винт и т.п., поэтому, пожалуйста, используйте необходимое время для затягивания винта. В частности, если винты меньше, чем M8, будут затягивать в течение более длительного времени, появится опасность того, что винт сломается, поэтому, пожалуйста, заранее узнайте необходимое для затягивания винта время и крутящий момент.

4. Работа при крутящем моменте, необходимым для болта при ударном воздействии

Оптимальный крутящий момент для гаек и болтов различается в зависимости от материала и размера гаек и болтов. Слишком большой крутящий момент для маленького болта может потянуть или сломать болт. Крутящий момент будет увеличиваться пропорционально времени выполнения операции. Используйте правильное время для выполнения операции с болтом.

5. Проверьте крутящий момент

Следующие факторы оказывают влияние на уменьшение крутящего момента. Потому перед выполнением работы проверьте фактический крутящий момент, который необходимо приложить при завинчивании некоторых болтов, при помощи ручного гаечного ключа с ограничением по крутящему моменту. Далее перечислены факторы, которые оказывают влияние на крутящий момент.

(1) Напряжение

По мере приближения к нижней границе заряда, напряжение будет уменьшаться, а крутящий момент понижаться.

(2) Время выполнения операции

Крутящий момент будет увеличиваться при увеличении времени выполнения операции. Но крутящий момент не станет больше определенного значения, даже если инструмент будет выполнять операцию в течение длительного времени.

(3) Диаметр болта

Крутящий момент различается в зависимости от диаметра болта. Как правило, чем больше диаметр болта, тем больше необходимый крутящий момент.

(4) Условия затягивания

Крутящий момент будет отличаться в соответствии с показателем крутящего момента; классом и длиной болтов, даже если будут использоваться болты с одинаковым размером резьбы. Крутящий момент так же будет отличаться в соответствии с состоянием поверхности обрабатываемой детали, через которую будут затягиваться болты. Если болт и гайка будут поворачиваться вместе, крутящий момент будет значительно меньше.

ТЕХНИЧЕСКОЕ ОБСЛУЖИВАНИЕ И ОСМОТР

1. Осмотр насадки шуруповерта

Использование сломанной насадки или насадки с изношенным кончиком будет представлять опасность, так как насадка может соскользнуть. Замените ее.

2. Осмотр крепежных винтов

Регулярно выполняйте осмотр всех крепежных винтов и проверяйте их надлежащую затяжку. При ослаблении каких-либо винтов, немедленно затяните их повторно. Невыполнение этого требования может привести к серьезной опасности.

3. Обслуживание двигателя

Обмотка двигателя представляет собой "сердце" электроинструмента.

Соблюдайте надлежащие меры предосторожности для защиты обмотки от повреждений и/или попадания на нее влаги, масла или воды.

4. Наружная очистка

Когда дрель-шуруповерт загрязнится, вытрите ее мягкой сухой тканью или тканью, смоченной мыльной водой. Не используйте хлористых растворителей, бензина или разбавителей для краски, так как они могут растворить пластмассу.

5. Хранение

Храните дрель-шуруповерт в месте, недоступном для детей, где температура не превышает 40°C.

6. Порядок записей по техобслуживанию

ПРЕДОСТЕРЕЖЕНИЕ

Ремонт, модификацию и осмотр механизированного инструмента фирмы Hitachi следует проводить в авторизованном сервисном центре Hitachi.

Этот перечень запасных частей пригодится при представлении его вместе с инструментом в авторизованный сервисный центр Hitachi с запросом на ремонт или прочее обслуживание.

При работе и обслуживании механизированных инструментов нужно соблюдать правила и стандарты безопасности, действующие в каждой данной стране.

ЗАМЕЧАНИЕ

Фирма HITACHI непрерывно работает над усовершенствованием своих изделий, поэтому мы сохраняем за собой право на внесение изменений в технические характеристики, упомянутые в данной инструкции по эксплуатации, без предупреждения об этом.

ГАРАНТИЯ

Мы гарантируем соответствие автоматических инструментов Hitachi нормативным/национальным положениям. Данная гарантия не распространяется на дефекты или ущерб, возникший вследствие неправильного использования или ненадлежащего обращения, а также нормального износа. В случае подачи жалобы отправляйте автоматический инструмент в неразобранном состоянии вместе с ГАРАНТИЙНЫМ СЕРТИФИКАТОМ, который находится в конце инструкции по обращению, в авторизованный центр обслуживания Hitachi.

ПРИМЕЧАНИЕ

На основании постоянных программ исследования и развития, HITACHI оставляют за собой право на изменение указанных здесь технических данных без предварительного уведомления.

Информация, касающаяся создаваемого шума и вибрации

Измеряемые величины были определены в соответствии с EN60745 и заявлены в соответствии с ISO 4871.

Измеренный средневзвешенный уровень звуковой мощности: 103 дБ(А)

Измеренный средневзвешенный уровень звукового давления: 92 дБ(А)

Погрешность Кра: 3 дБ (А)

Надевайте наушники.

Общие значения вибрации (сумма векторов триаксиального кабеля) определяются в соответствии с EN60745.

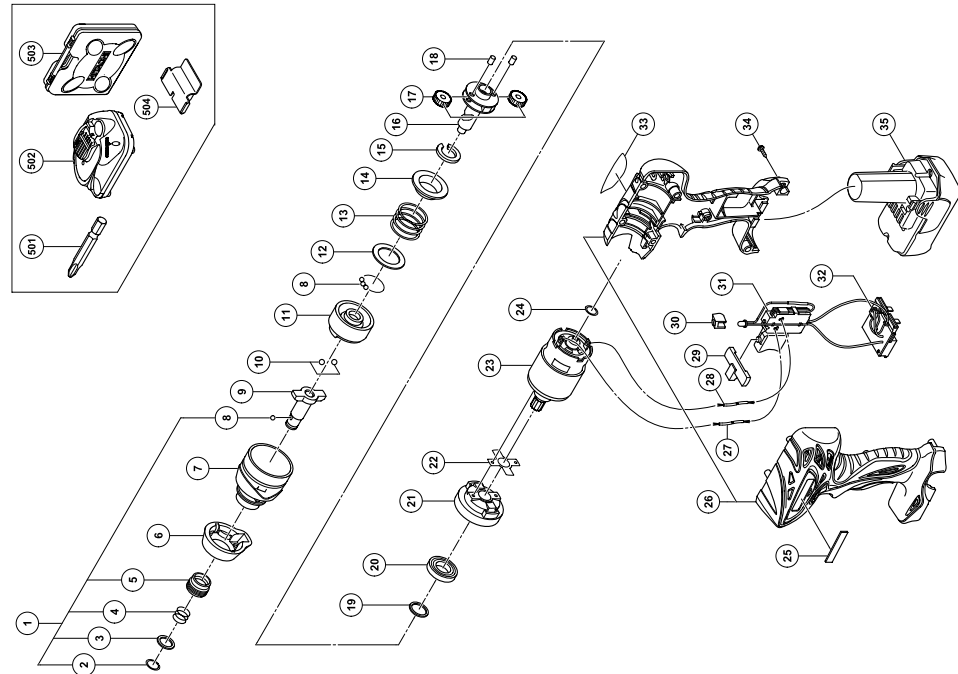
Толчковое затягивание зажимов максимальной мощности устройства:

Величина вибрации $a_h = 18,1 \text{ м/с}^2$

Погрешность $K = 1,5 \text{ м/с}^2$

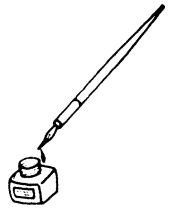
ПРЕДУПРЕЖДЕНИЕ

- Величина вибрации во время фактического использования инструмента может отличаться от указанного значения, в зависимости от способа использования инструмента.
- Определить меры предосторожности, чтобы защитить оператора, которые основаны на расчете воздействия при фактических условиях использования (принимая во внимание все периоды цикла эксплуатации кроме времени запуска, то есть когда инструмент выключен, работает на холостом ходу).



Item No.	Part Name	QTY
501	+ DRIVER BIT (B) NO.2 50L	1
502	CHARGER UC10SFL	1
503	CASE	1
504	BATTERY COVER	1

Item No.	Part Name	QTY
1	GUIDE SLEEVE SET	1
2	STOP WASHER	1
3	WASHER (F)	1
4	GUIDE SPRING (C)	1
5	GUIDE SLEEVE (C)	1
6	FRONT CAP	1
7	HAMMER CASE	1
8	STEEL BALL D3.175	29
9	ANVIL (S)	1
10	STEEL BALL D5.556	2
11	HAMMER	1
12	WASHER (J)	1
13	HAMMER SPRING	1
14	WASHER (S)	1
15	STOPPER	1
16	SPINDLE	1
17	IDLE GEAR	2
18	NEEDLE ROLLER	2
19	WASHER (G)	1
20	BALL BEARING	1
21	RING GEAR	1
22	PACKING (A)	1
23	MOTOR ASS'Y	1
24	O-RING	1
25	HITACHI LABEL	1
26	HOUSING (A), (B) SET	1
27	LEAD WIRE (C)	1
28	LEAD WIRE (B)	1
29	PUSH BUTTON (A)	1
30	LED HOLDER	1
31	DC SPEED CONTROL SWITCH	1
32	CONTROLLER ASS'Y (B)	1
33	NAMEPLATE	1
34	TAPPING SCREW (W/FLANGE) D3x16	8
35	BATTERY BCL1015	2



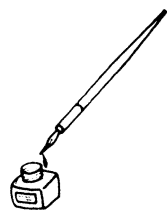
<p>English</p> <p align="center"><u>GUARANTEE CERTIFICATE</u></p> <ol style="list-style-type: none"> ① Model No. ② Serial No. ③ Date of Purchase ④ Customer Name and Address ⑤ Dealer Name and Address (Please stamp dealer name and address) 	<p>Čeština</p> <p align="center"><u>ZÁRUČNÍ LIST</u></p> <ol style="list-style-type: none"> ① Model č. ② Série č. ③ Datum nákupu ④ Jméno a adresa zákazníka ⑤ Jméno a adresa prodejce (Prosíme o razítko se jménem a adresou prodejce)
<p>Deutsch</p> <p align="center"><u>GARANTIESCHEIN</u></p> <ol style="list-style-type: none"> ① Modell-Nr. ② Serien-Nr. ③ Kaufdatum ④ Name und Anschrift des Kunden ⑤ Name und Anschrift des Händlers (Bitte mit Namen und Anschrift des Handlers abstempeln) 	<p>Türkçe</p> <p align="center"><u>GARANTİ SERTİFİKASI</u></p> <ol style="list-style-type: none"> ① Model No. ② Seri No. ③ Satın Alma Tarihi ④ Müşteri Adı ve Adresi ⑤ Bayi Adı ve Adresi (Lütfen bayi adını ve adresini kaşe olarak basın)
<p>Ελληνικά</p> <p align="center"><u>ΠΙΣΤΟΠΟΙΗΤΙΚΟ ΕΓΓΥΗΣΗΣ</u></p> <ol style="list-style-type: none"> ① Αρ. Μοντέλου ② Αύξων Αρ. ③ Ημερομηνία αγοράς ④ Όνομα και διεύθυνση πελάτη ⑤ Όνομα και διεύθυνση μεταπωλητή (Παρακαλούμε να χρησιμοποιηθεί σφραγίδα) 	<p>Română</p> <p align="center"><u>CERTIFICAT DE GARANȚIE</u></p> <ol style="list-style-type: none"> ① Model nr. ② Nr. de serie ③ Data cumpărării ④ Numele și adresa clientului ⑤ Numele și adresa distribuitorului (Vă rugăm aplicați ștampila cu numele și adresa distribuitorului)
<p>Polski</p> <p align="center"><u>GWARANCJA</u></p> <ol style="list-style-type: none"> ① Model ② Numer seryjny ③ Data zakupu ④ Nazwa klienta i adres ⑤ Nazwa dealera i adres (Pieczęć punktu sprzedaży) 	<p>Slovenščina</p> <p align="center"><u>GARANCIJSKO POTRDILO</u></p> <ol style="list-style-type: none"> ① Št. modela ② Serijska št. ③ Datum nakupa ④ Ime in naslov kupca ⑤ Ime in naslov prodajalca (Prosimo vtisnite žig z imenom in naslovom prodajalca)
<p>Magyar</p> <p align="center"><u>GARANCIA BIZONYLAT</u></p> <ol style="list-style-type: none"> ① Típuszám ② Sorozatszám ③ A vásárlás dátuma ④ A Vásárló neve és címe ⑤ A Kereskedő neve és címe (Kérjük ide elhelyezni a Kereskedő nevének és címének pecsétjét) 	<p>Русский</p> <p align="center"><u>ГАРАНТИЙНЫЙ СЕРТИФИКАТ</u></p> <ol style="list-style-type: none"> ① Модель № ② Серийный № ③ Дата покупки ④ Название и адрес заказчика ⑤ Название и адрес дилера (Пожалуйста, внесите название и адрес дилера)

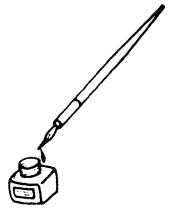


HITACHI

①	
②	
③	
④	
⑤	







Hitachi Power Tools Österreich GmbH

Str. 7, Objekt 58/A6, Industriezentrum NÖ –Süd 2355
Wiener Neudorf, Austria
Tel: +43 2236 64673/5
Fax: +43 2236 63373

Hitachi Power Tools Hungary Kft.

1106 Bogancsvirag U.5-7, Budapest, Hungary
Tel: +36 1 2643433
Fax: +36 1 2643429
URL: <http://www.hitachi-powertools.hu>

Hitachi Power Tools Polska Sp.z o.o.

ul. Kleszczowa27
02-485 Warszawa, Poland
Tel: +48 22 863 33 78
Fax: +48 22 863 33 82
URL: <http://www.hitachi-elektronarzedzia.pl>

Hitachi Power Tools Czech s.r.o.

Videnska 102,619 00 Brno, Czech
Tel: +420 547 426 598
Fax: +420 547 426 599
URL: <http://www.hitachi-powertools.cz>

Hitachi Power Tools Netherlands B.V. Moscow Branch

Kashirskoye Shosse Dom 65, 4F
115583 Moscow, Russia
Tel: +7 495 727 4460 or 4462
Fax: +7 495 727 4461
URL: <http://www.hitachi-pt.ru>

Hitachi Power Tools Romania

Str Sf. Gheorghe nr 20-Ferma, Pantelimon, Jud. Llifov
Tel: +031 805 25 77
Fax: +031 805 27 19

<p>English</p> <p>EC DECLARATION OF CONFORMITY</p> <p>We declare under our sole responsibility that this product is in conformity with standards or standardized documents EN60745, EN60335, EN55014 and EN61000 in accordance with Council Directives 2004/108/EC, 2006/95/EC and 98/37/EC.</p> <p>This declaration is applicable to the product affixed CE marking.</p>	<p>Čeština</p> <p>PROHLÁŠENÍ O SHODĚ S CE</p> <p>Prohlašujeme na svoji zodpovědnost, že tento výrobek odpovídá normám EN60745, EN60335, EN55014 a EN61000 v souladu se směrnicemi 2004/108/EC, 2006/95/EC a 98/37/EC.</p> <p>Toto prohlášení platí pro výrobek označený značkou CE.</p>
<p>Deutsch</p> <p>ERKLÄRUNG ZUR KONFORMITÄT MIT CE-REGELN</p> <p>Wir erklären mit alleiniger Verantwortung, daß dieses Produkt den Standards oder standardisierten Dokumenten EN60745, EN60335, EN55014 und EN61000 in Übereinstimmung mit den Direktiven des Europarats 2004/108/CE, 2006/95/CE und 98/37/CE entspricht.</p> <p>Diese Erklärung gilt für Produkte, die die CE-Markierung tragen.</p>	<p>Türkçe</p> <p>AB UYGUNLUK BEYANI</p> <p>Bu ürünün, 2004/108/EC, 2006/95/EC ve 98/37/EC sayılı Konsey Direktiflerine uygun olarak, EN60745, EN60335, EN55014 ve EN61000 sayılı standartlara ve standartlaştırılmış belgelere uygun olduğunu, tamamen kendi sorumluluğumuz altında beyan ederiz.</p> <p>Bu beyan, üzerinde CE işareti bulunan ürünler için geçerlidir.</p>
<p>Ελληνικά</p> <p>EK ΔΗΛ-ΣΗ ΕΝΑΡΜΟΝΙΣΜΟΥ</p> <p>Δηλώνουμε με απόλυτη υπευθυνότητα ότι αυτό το προϊόν είναι εναρμονισμένο με τα πρότυπα ή τα έγγραφα προτύπων EN60745, EN60335, EN55014 και EN61000 σε συμφωνία με τις Οδηγίες του Συμβουλίου 2004/108/EK, 2006/95/EK και 98/37/EK.</p> <p>Αυτή η δήλωση ισχύει στο προϊόν με το σημάδι CE.</p>	<p>Română</p> <p>DECLARAȚIE DE CONFORMITATE CE</p> <p>Declarăm pe propria răspundere că acest produs este conform cu standardele sau documentele de standardizare EN60745, EN60335, EN55014 și EN61000 și cu Directivele Consiliului 2004/108/CE, 2006/95/CE și 98/37/CE.</p> <p>Prezenta declarație se referă la produsul pe care este aplicat semnul CE.</p>
<p>Polski</p> <p>DEKLARACJA ZGODNOŚCI Z EC</p> <p>Oznajmiamy z całkowitą odpowiedzialnością, że produkt ten pozostaje w zgodzie ze standardami lub standardową formą dokumentów EN60745, EN60335, EN55014 i EN61000 w zgodzie z Zasadami Rady 2004/108/EC, 2006/95/EC i 98/37/EC.</p> <p>To oświadczenie odnosi się do załączonego produktu z oznaczeniami CE.</p>	<p>Slovenščina</p> <p>EC DEKLARACIJA O SKLADNOSTI</p> <p>Po lastni odgovornosti objavljamo, da je izdelek v skladu s standardi ali standardiziranimi dokumenti EN60745, EN60335, EN55014 in EN61000 v skladu z direktivami Sveta 2004/108/EC, 2006/95/EC in 98/37/EC.</p> <p>Deklaracija je označena na izdelku s pritrjeno CE označbo.</p>
<p>Magyar</p> <p>EU MEGFELELŐSÉGI NYILATKOZAT</p> <p>Teljes felelősségünk tudatában kijelentjük, hogy ez a termék megfelel az EN60745, EN60335, EN55014, és EN 61000 szabványoknak illetve szabványosított dokumentumoknak, az Európa Tanács 2004/108/EC, 2006/95/EC és 98/37/EC Tanácsi Direktíváival összhangban.</p> <p>Jelen nyilatkozat a terméken feltüntetett CE jelzésre vonatkozik.</p>	<p>Русский</p> <p>ДЕКЛАРАЦИЯ СООТВЕТСТВИЯ ЕС</p> <p>Мы с полной ответственностью заявляем, что данное изделие соответствует стандартам или стандартизованным документам EN60745, EN60335, EN55014 и EN61000 согласно Директивам Совета 2004/108/EC, 2006/95/EC и 98/37/EC.</p> <p>Данная декларация относится к изделиям, на которых имеется маркировка CE.</p>
<p>Representative office in Europe Hitachi Power Tools Europe GmbH Siemensring 34, 47877 Willich 1, F. R. Germany</p> <p>Head office in Japan Hitachi Koki Co., Ltd. Shinagawa Intercity Tower A, 15-1, Konan 2-chome, Minato-ku, Tokyo, Japan</p> <p style="text-align: center;">CE</p> <p style="text-align: right;">31. 12. 2008</p> <p style="text-align: right;"><i>K. Kato</i></p> <p style="text-align: right;">K. Kato Board Director</p>	



Hitachi Koki Co., Ltd.

812
Code No. C99180291 G
Printed in China